

**REFLEX/SCANFLEX  
MULTIFLEX  
MINIFLEX LR  
MICROFLEX-C**  
**ULTRASONIC LEVEL INDICATOR**

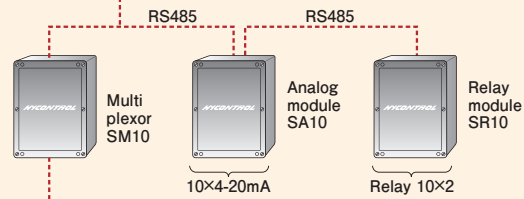


**A representative of Non-contact level indicator!  
Stable and reliable measurement realized by a prominent software  
Applicable to long-span, scanning, powder, liquid**

# Long-span & Scanning The Best Ultrasonic Level Indicator REFLEX/SCANFLEX



## HYCONTROL Multi control system



### ● Save Cost

The multiplexor SM-10, added to the Reflex, provides the opportunity to scan up to 10 separate points of level, considerably reducing the cost per point for each additional tank of silo monitored. SM-10 can be mounted remotely from the Reflex. On the top of the points to be monitored is the most common location as this reduces the number of cables that have to be routed back to the control room and consequently the cost.

### ● Wide Range & Quick Measurement

One controller can be connected to variety of sensors for liquids, slurries and solids measurement. Scanning, indication and output of 10 points can be achieved in under 30 seconds.

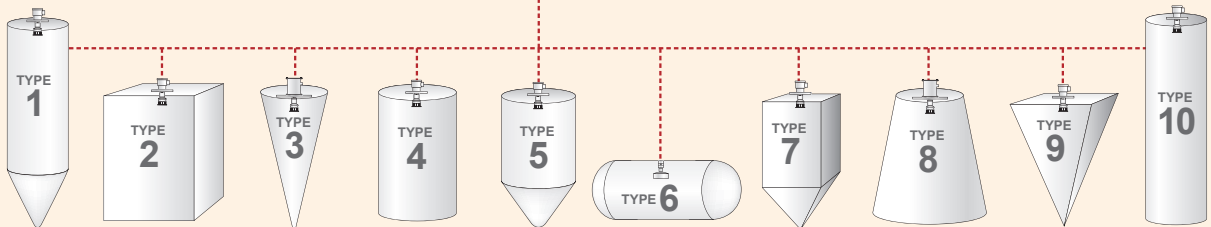
### ● System Extension

Adding analog module SA-10, relay module SR-10 can extend output.

### ■ Usage

- 1 Level measurement
- 2 Empty distance measurement
- 3 Volume measurement

ATEX EExm II T6

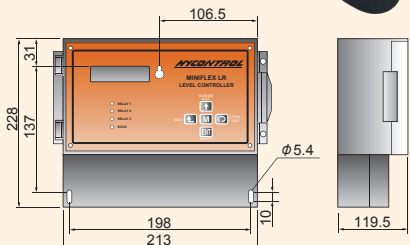


### REFLEX Controller

Wall-mount type

Accuracy	: +/-0.25% +/-20°C ambient
Resolution	: 2mm or 0.1%FS whichever is greater
Blanking Distance	: Programmable (Min 0.5m dependent on transducer)
Transducers	: RYTK15/RWTK15/RXM30
Power Supply	: 110/230VAC +/-10% 50/60Hz 12VA Automatic selection / 24VDC +25% -10% 9W Independent terminal
Relay Output	: 5SPDT AC250V 8A, DC30V 8A (Resistive)
Analogue Output	: 4-20mA, 20-4mA/750Ω
Display	: Graphic LCD module (120 x 32 dots), 5 red LEDs for relay indication
Ambient Temperature	: -40~+70°C
Enclosure	: IP65 polycarbonate
Dimensions	: 240 x 160 x 90mm
Weight	: 1.75kg

## MINIFLEX LR Controller



## MINIFLEX LR for liquid

### Compact & High-Performance User-friendly

Accuracy	: +/-0.25% @20°C ambient
Resolution	: 2mm or 0.1%FS whichever is greater
Blanking Distance	: Fully adjustable
Transducers	: RYTK15/RWTK15
Power Supply	: 95/110/230VAC +/-10% 50/60Hz 12VA/ 24VDC +25% -10% 9W Discrete terminal
Relay Output	: 3SPDT 8A, 250VAC, 30VDC Resistive
Analogue Output	: 4-20mA, 20-4mA 750Ω
Display	: Multi-line
Ambient Temperature	: -20~+70°C
Enclosure	: IP65 polycarbonate
Dimensions	: 185 x 213 x 119.5mm
Weight	: 1.55kg

### ■ Usage

- 1 Level measurement
- 2 Empty distance measurement
- 3 Volume measurement
- 4 Level difference measurement
- 5 Pump control
- 6 Weir flow amount

ATEX EExm II T6

# Various Kinds of Function Unlimited Application

## MULTIFLEX



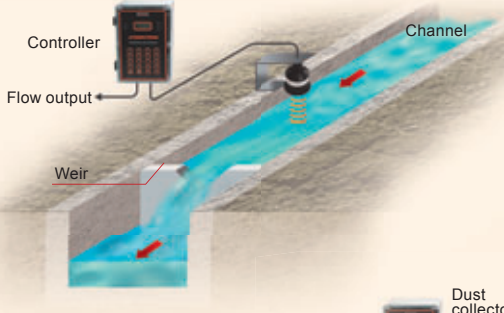
### Various kinds of Application & Function

Accurate measurement is possible even on sludge or dust application. Better performance can be achieved especially for liquid application.

### Software

Parameter can set on the controller display and keypad. Capacity correction among 7 different tanks, open channel flow correction and level difference measurement with 2 sensors connected are possible. Setting parameter is protected by password.

### Application



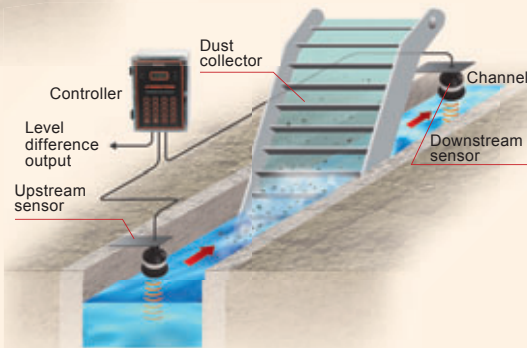
### Usage

- 1 Level measurement
- 2 Empty distance measurement
- 3 Volume measurement
- 4 Level difference measurement
- 5 Open channel flow measurement
- 6 Pump control

ATEX EExm II T6

### Application 1 Open Channel Weir Flow Measurement

Flow measurement by installing weir in channel (gauge), measuring the upstream side level and setting the built-in weir flow correction function.



### Application 2

### Level Difference Measurement

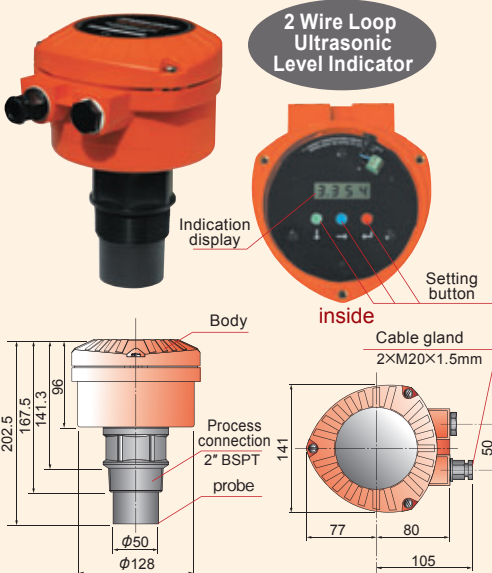
Dust collector operation by installing sensors both on upstream and downstream and measuring level difference with one controller. Available to water gate control.

### MULTIFLEX Controller

Wall-mount type

Accuracy	: +/-0.25% @20°C ambient
Resolution	: 2mm or 0.1%FS whichever is greater
Blanking Distance	: Programmable (Min 0.5m dependent on transducer)
Transducers	: RYTK15/RWTK15
Power Supply	: 110/230VAC +/-10% 50/60Hz 12VA Automatic selection/24VDC +25% -10% 9W Independent terminal
Relay Output	: 5SPDT AC250V 8A, DC30V 8A (Resistive)
Analogue Output	: 4-20mA, 20-4mA/750Ω
Display	: 4-digit 12mm LCD indication, 5 red LEDs for relay indication
Ambient Temperature	: -40~+70°C
Enclosure	: IP65 polycarbonate
Dimensions	: 240 x 160 x 90mm
Weight	: 1.75kg

## MICROFLEX-C



# MICROFLEX-C for liquid

## Amplifier Combined · 2 Wire Loop Type

### User-Friendly, Empty Spectrum Function

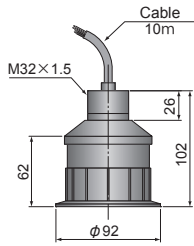
Accuracy	: +/-5mm (<1m)/ +/-0.5%FS(>1m)
Resolution	: 1mm
Max. Measuring Range	: 8m
Beam Angle	: 12°
Min. Blanking Distance	: 0.3m
Power Supply	: 12-30VDC (2 wire loop)
Analogue Output	: DC4-20mA 750Ω
Serial Output	: ---
Display	: Digital LCD
Ambient Temperature	: -20~+70°C
Enclosure	: IP66 Nylon (Glass included)
Transducer Material	: PVDF
Weight	: 850g

### Features

- Easy setting with buttons on LCD display.
- Meter(m), feet(ft.) and inch(in.) selectable.
- Transducer is manufactured in PVDF and is ideal for use in corrosive applications.
- Instrument is able to memorize /ignore Max. 2 false echoes.

## Transducer Specification

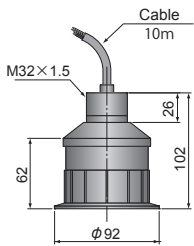
### RYTK15



Housing Material : PVDF  
 Face Material : Glass fiber reinforced epoxy  
 Temperature Sensor : Built-in  
 Frequency : 41.5kHz  
 Beam Angle : 12°  
 Min. Dead Zone : 0.5m  
 Max. Range (Liquid) : 20m  
 Max. Range (Solid) : 10m  
 Ambient Temperature : -40°C~+90°C  
 Explosion Proof : EExm II T6  
 Enclosure : IP68  
 Process Connection : M20 x P1.5  
 Weight : 2.0kg

For REFLEX/SCANFLEX/MULTIFLEX/MINFLEX LR

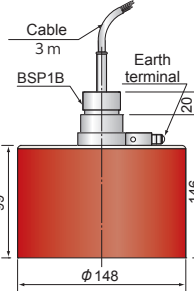
### RWTK15



Housing Material : PVDF  
 Face Material : PVDF  
 Temperature Sensor : Built-in  
 Frequency : 41.5kHz  
 Beam Angle : 12°  
 Min. Dead Zone : 0.5m  
 Max. Range (Liquid) : 20m  
 Max. Range (Solid) : 10m  
 Ambient Temperature : -40°C~+90°C  
 Explosion Proof : EExm II T6  
 Enclosure : IP68  
 Process Connection : M20 x P1.5  
 Weight : 2.0kg

For REFLEX/SCANFLEX/MULTIFLEX/MINFLEX LR

### RXM30



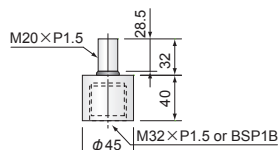
Housing Material : PP (Upper part; ADC)  
 Face Material : PVC form  
 Temperature Sensor : NO  
 Frequency : 30kHz  
 Beam Angle : 6°  
 Min. Dead Zone : 1.5m  
 Max. Range (Liquid) : 50m  
 Max. Range (Solid) : 30m  
 Ambient Temperature : -30°C~+75°C  
 Explosion Proof : NO  
 Enclosure : IP65  
 Process Connection : BSP1B  
 (Plastic fix nut x2 included)  
 Weight : 2.2kg

For REFLEX/SCANFLEX

## Isolation Kit



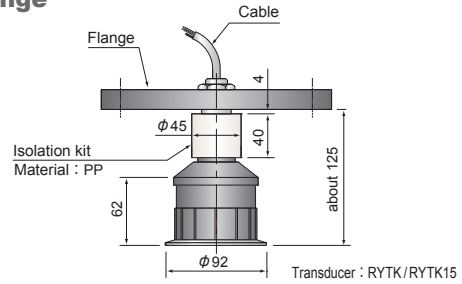
Material, Polypropylene



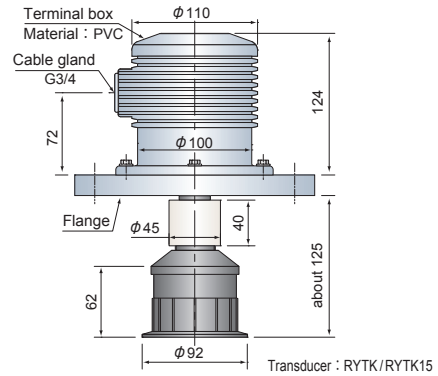
Isolation kit minimizes ringing from mounting part.

## Transducer Option

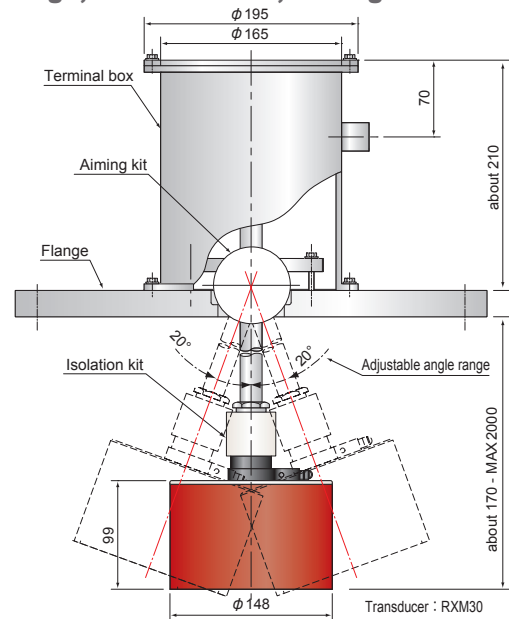
### Flange



### Flange, Terminal BOX



### Flange, Terminal BOX, Aiming kit



## Line of business

- Rotary Paddle Type Level Switch
- Vibration Type Level Switch
- Swing Type Level Switch
- Acoustic Level Switch
- Capacitance Type Level Switch
- Capacitance Proximity Sensor
- Capacitance Type Level Indicator
- Diaphragm Type Level Switch
- Tilt Switch
- Leak Type Level Switch
- Microwave Type Switch
- Sounding Bob Type Level Indicator
- Flow Switch
- Conductance Type Level Switch
- Float Switch
- Float Type Level Indicator
- Ultrasonic Type Level Indicator
- Equipments For Conveyor Lines
- Dust Monitor System
- Zirconia Oxygen Analyzer
- Laser Type Level Indicator
- RADAR Type Level Indicator
- On-line Sensors for Accurate Liquid Analysis
- Ultrasonic Flow meter

\*Please be sure to read USER'S GUIDE, Installation & Operation Instructions before using the instrument.

\*The specifications herein may be subject to change without advance notice.

All-round Manufacturer of Level Controllers for Powder, Granules and Liquid

**KANSAI Automation Co., Ltd.**

Headquarters :

2-14, Togano-cho, Kita-ku, Osaka 530-0056, Japan  
 TEL. 81-6-6312-2071 FAX. 81-6-6314-0848  
 e-mail: infoe@kansai-automation.co.jp

<http://www.kansai-automation.co.jp>

Tokyo Branch : 1-29-6, Hamamatsu-cho, Minato-ku, Tokyo 105-0013, Japan  
 TEL. 81-3-5777-6931 FAX. 81-3-5777-6933

Nagoya Office : 3-31-27, Uchiyama, Chigusa-ku, Nagoya 464-0075, Japan  
 TEL. 81-52-741-2432 FAX. 81-52-741-1588

Kyushu Office : 1-2-39, Asano, Kokura Kita-ku, Kitakyushu 802-0001, Japan  
 TEL. 81-93-511-4741 FAX. 81-93-511-4580



Agent