

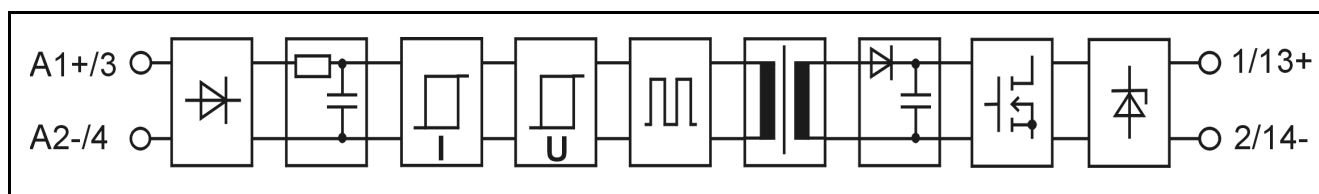
SLO 48CRX

SL-series plug-in relay

Main features

- Solid state output relay
- cULus Listed, CE (EMC and LVD)
- Integrated status LED
- For resistive and slightly inductive loads
- For high currents

Functional block diagram



Main specifications

Breakdown voltage I/O	minimum	4300	VAC rms
Air/creepage distances I/O	minimum	8	mm
Capacitance I/O	typical	3	pF
Material of the casing	PBT	UL 94V-0	
Colour of the casing	Red		
Weight	typical	40	g
Temperature range:			
Storage	range	-40...+70	°C
Operation	range	-40...+70	°C

Electrical specifications ($T_A = 25\text{ °C}$)

Primary				Secondary			
Input voltage	nominal	48	VDC	Load voltage	minimum	0	VDC
Input current at nominal voltage	typical	3,5	mA		nominal	24	VDC
	maximum	4	mA		maximum	32	VDC
Input voltage range (abs.)	minimum	35	VDC	Load current	maximum	10	A (6,3 A*)
	maximum	60	VDC	Load current	maximum	80	A (10 ms)
Input impedance	typical	13	kΩ	Voltage drop	typical	0,3	V (10 A)
Switch-on voltage**	typical	30	VDC	Switch-on delay	typical	0,5	ms
	maximum	35	VDC		maximum	1	ms
Switch-off voltage	typical	25	VDC	Switch-off delay	typical	0,5	ms
	minimum	20	VDC		maximum	1	ms
				Inductive load, L/R	maximum	0,5	ms (32 V, 10 A)
					maximum	2	ms (24 V, 5 A)
				Leakage current (off-state)	maximum	1	mA

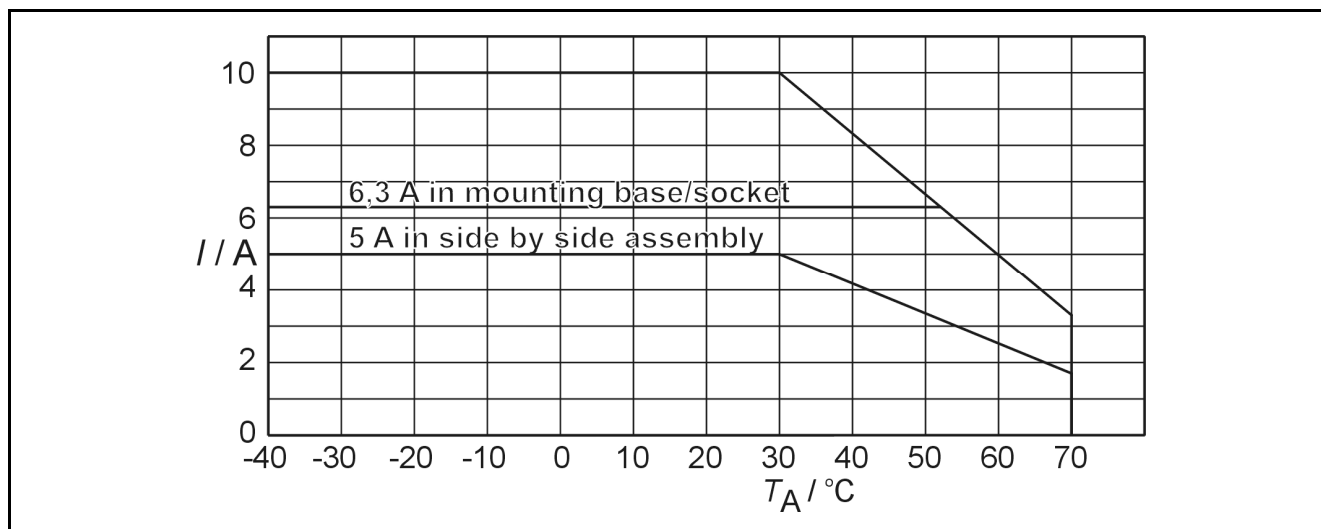
Ambient temperature (T_A) means the temperature immediate in vicinity of relays, where the air flow meets the relays.

* Maximum current is 6,3 A when assembled to the mounting socket or mounting base.

** In the operational temperature range -40 °C...+70 °C the switch-on voltage is 40,8 VDC maximum (48 VDC - 15 %).

Deratings

Allowed load is derated to 1/3 linearly from +30 °C to +70 °C ambient temperature. When relays are mounted together as a bank the maximum load current for long period of time should be restricted in total to 50 % of the current from the curve. I.e. all relays at 50 % load continuously or 50 % of the relays at 100 % load continuously or all relays at 100 % load 50 % of the time. This restriction does not apply if there is at least 12,5 mm gap between relays. These deratings apply when assembled to the horizontal rail. If assembled to the vertical rail, must be taken care that the relays do not heat up too much.



Derating curve for SLO 48CRX.

Derating when switching inductive loads

This relay is meant for resistive and slightly inductive loads. A clamp diode with the load must be used when switching inductive loads. The surge current is not allowed to exceed the specification. For reasons of heat dissipation, when the load will be switched frequently, the average current over a reasonable time should not exceed the specification for continuous operation.

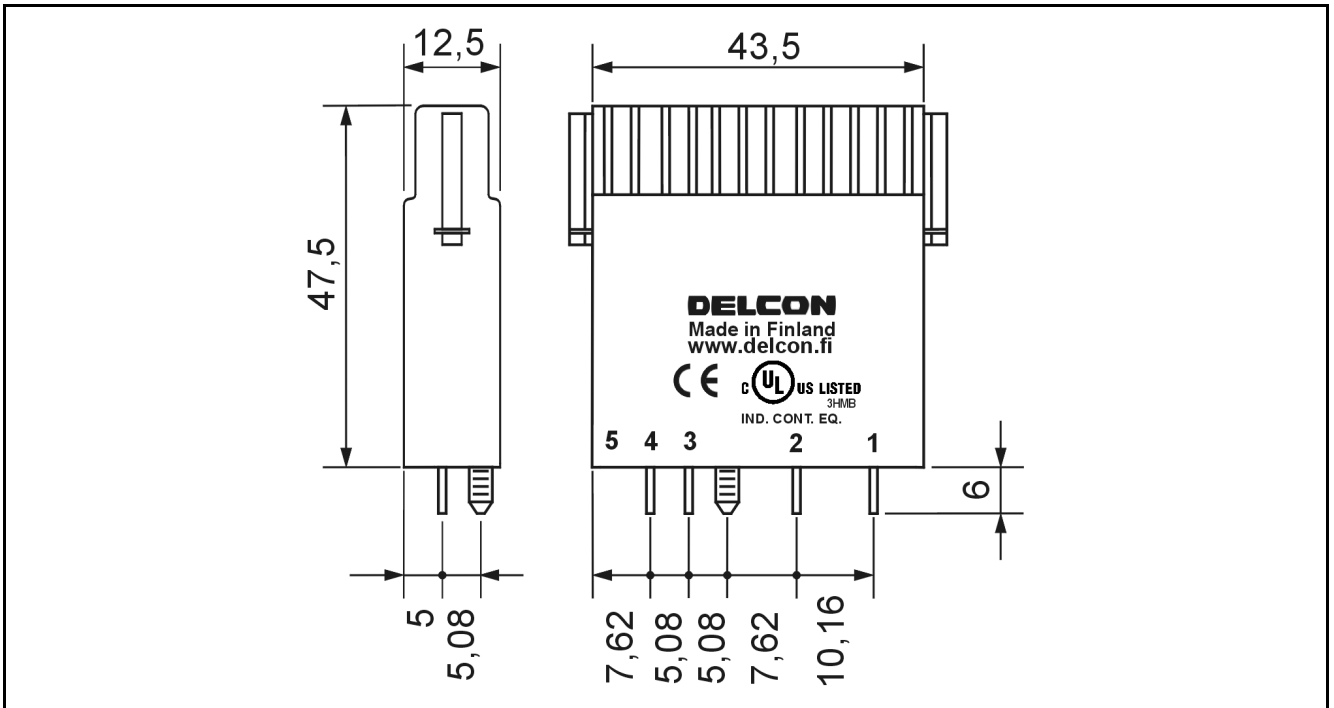
Fusing

To protect relay against short circuit and overload a fast fuse with the correct rating for the load and the capacity of the relay should be chosen. Note that when overload current is not large it is possible that the fuse will not protect the relay because of the tolerance on the fuse rating.

Assembling



All MOS 1... -mounting sockets and MB8... -mounting bases. The recommended installation is to the horizontal rail for better cooling of the relays.

Mechanical dimensions



SLO-relay (plug-in), dimensions in mm, nominal.

Approvals

	<p>Certificate: E162828</p>
	<p>Fulfils main requirements of the EMC-directive 2004/108/EC. Fulfils requirements of the low voltage directive (LVD) 2006/95/EC.</p>

Guarantee

This solid state I/O relay type made by Delcon Oy is guaranteed free from design and manufacturing defects for a period of 10 years from the manufacturing date. The guarantee liability is limited to replacement of defective material and related shipping charges. Defective products must be returned to the manufacturer for evaluation. This guarantee does not cover damage due to incorrect use or electrical overload.