

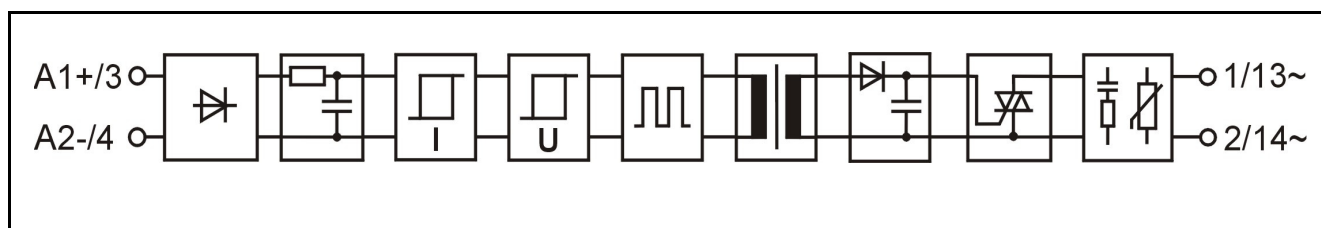
SLO 24TL

SL-series plug-in output relay

Main features

- Solid state output relay
- CE (EMC and LVD)
- Integrated status LED
- For static AC-loads
- Low input current

Functional block diagram



Main specifications

Breakdown voltage I/O	minimum	4300	VAC rms
Air/creepage distances I/O	minimum	8	mm
Capacitance I/O	typical	3	pF
Material of the casing	PBT	UL 94V-0	
Colour of the casing	Black		
Weight	typical	40	g
Temperature range:			
Storage	range	-40...+70	°C
Operation	range	-10...+70	°C

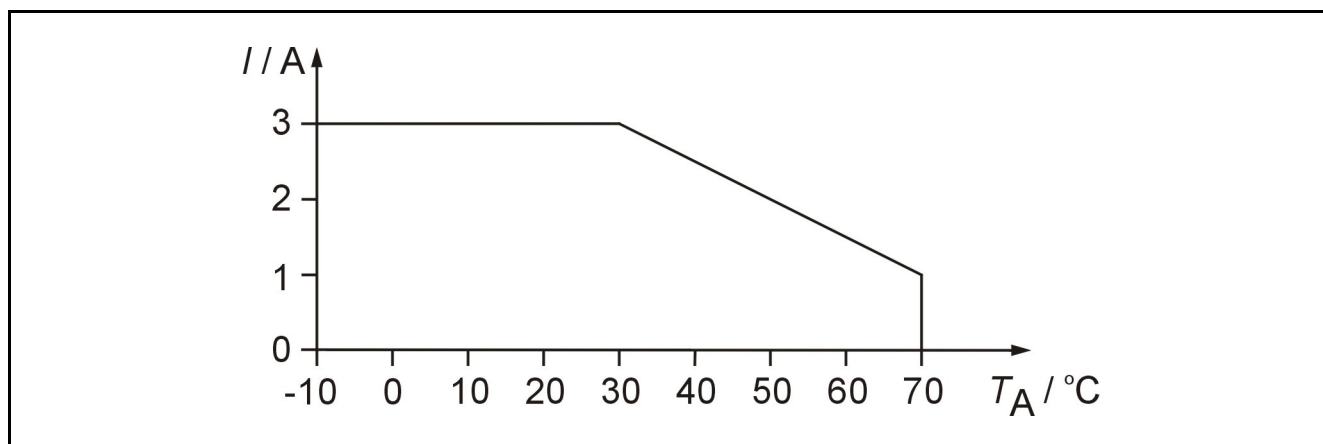
Electrical specifications ($T_A = 25\text{ °C}$)

Primary				Secondary			
Input voltage	nominal	24	VDC	Load voltage	minimum	0	VAC
Input current at nominal voltage	typical	2	mA		nominal	240	VAC
	maximum	2,2	mA		maximum	265	VAC
Input voltage range (abs.)	minimum	18	VDC	Load current	maximum	3	A
	maximum	32	VDC	Load current	maximum	90	A (20 ms)
Input impedance	typical	12	kΩ	Voltage drop	typical	1	V
Switch-on voltage	typical	16	VDC	Switch-on delay	typical	0,5	ms
	maximum	18	VDC		maximum	1	ms
Switch-off voltage	typical	14	VDC	Switch-off delay	typical	-	ms
	minimum	12	VDC		maximum	11	ms
				Load power factor, $\cos \Phi$			0...1
				dv/dt, off-state	typical	200	V/μs
				Leakage current (off-state)	typical	1,5	mA

Ambient temperature (T_A) means the temperature immediate in vicinity of relays, where the air flow meets the relays.

Temperature derating

Allowed load is derated to 1/3 linearly from +30 °C to +70 °C ambient temperature. When relays are mounted together as a bank the maximum load current for long period of time should be restricted in total to 50 % of the current from the curve. I.e. all relays at 50 % load continuously or 50 % of the relays at 100 % load continuously or all relays at 100 % load 50 % of the time. This restriction does not apply if there is at least 12,5 mm gap between relays.



Derating curve for SLO 24TL.

Derating when switching inductive loads

There is no need to derate solid state output relay using a triac switch. The relay is indifferent to the power factor of the load. Calculation should be made however that the surge current does not exceed the specification. For reasons of heat dissipation, when the load will be switched frequently, the average current over a reasonable time should not exceed the specification for continuous operation.

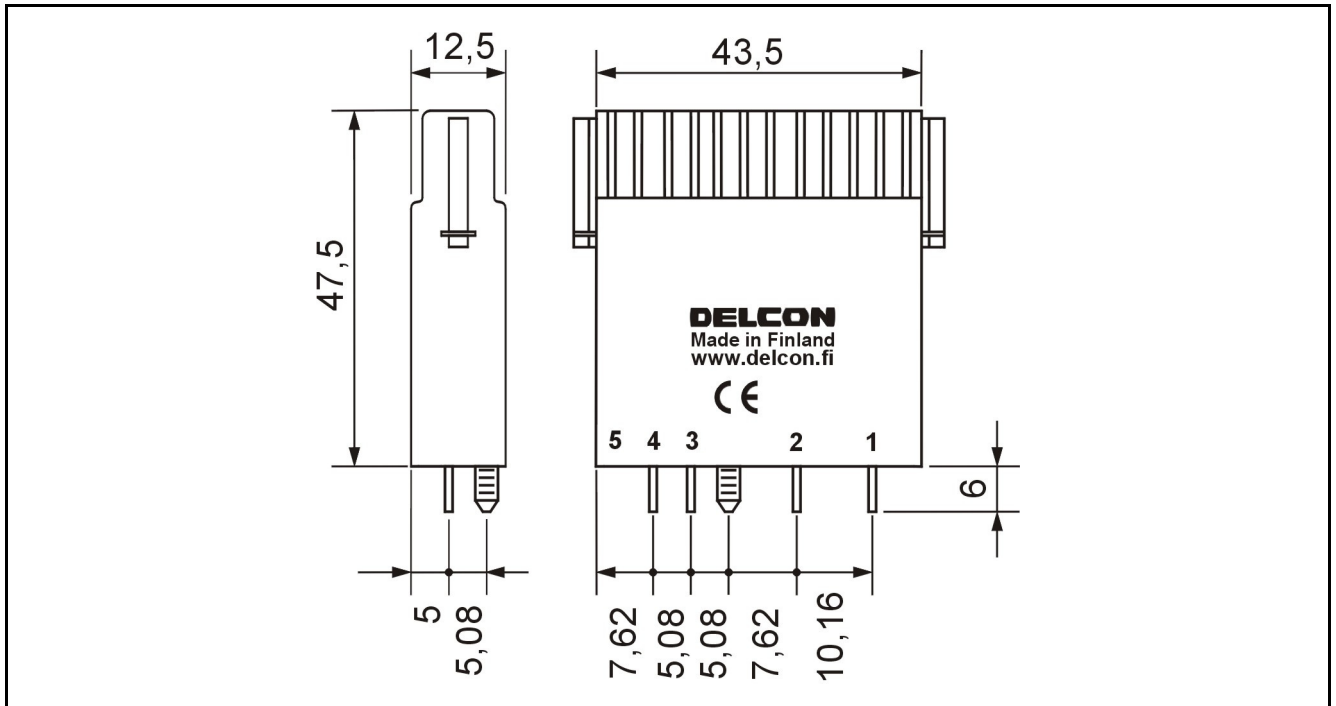
Fusing

To protect relay against short circuit and overload a fast fuse with the correct rating for the load and the capacity of the relay should be chosen. Note that when overload current is not large it is possible that the fuse will not protect the relay because of the tolerance on the fuse rating.

Assembling


All MOS 1... -mounting sockets, all MB/MBS 8/16... -mounting bases.

Mechanical dimensions



SLO-relay (plug-in), dimensions in mm.

Approvals

	<p>Fulfils main requirements of the EMC-directive 2004/108/EC.</p> <p>Fulfils requirements of the low voltage directive (LVD) 2006/95/EC.</p>
---	---

Guarantee

This solid state I/O relay type made by Delcon Oy is guaranteed free from design and manufacturing defects for a period of 10 years from the manufacturing date. The guarantee liability is limited to replacement of defective material and related shipping charges. Defective products must be returned to the manufacturer for evaluation. This guarantee does not cover damage due to incorrect use or electrical overload.