



SLIP RING
SC 100

FACTS

- Max. 24 rings with 3 A or max. 12 rings with 16 A
- Rings with 3 A or 16 A can be combined
- Outer diameter 100 mm
- Inner diameter max. 50 mm
- max. 400 V_{AC}

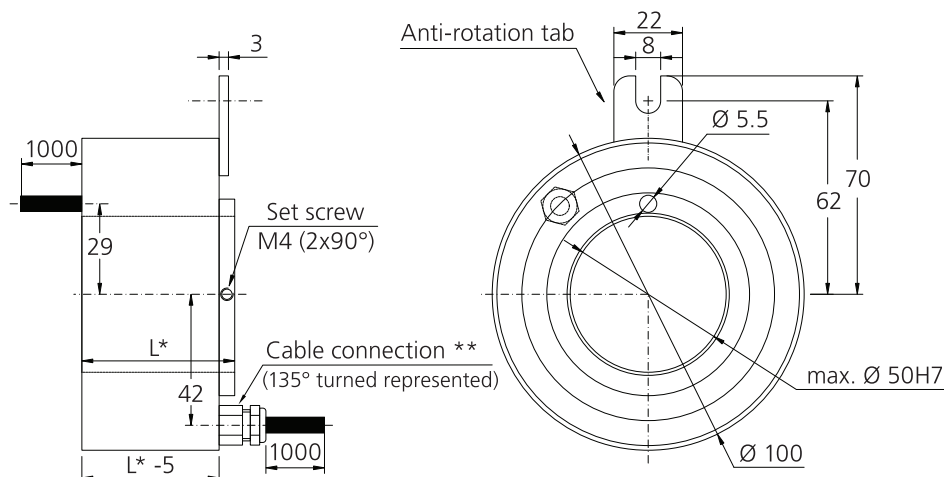


ELECTRICAL DATA

Number of rings:	max. 24 rings pairwise with 3 A; max. 12 rings with 16 A can be combined
Voltage:	240 V _{AC} / 240 V _{DC} ; 400 V _{AC} on request
High pot:	500 V _{AC}
Insulation resistance:	1000 M Ω at 500 V _{DC}
Noise:	60 m Ω at 5 min ⁻¹ , 6 V _{DC} and 50 m A

MECHANICAL DATA

Rated speed:	120 min ⁻¹ for gold contacts, 1000 min ⁻¹ for silver graphite brush on brass rings
Protection class:	IP 54; IP 64 on request
Temperature:	-20 ° C ... +80 ° C (-5 °F ... +175 °F)
Rotor/Stator conn.:	1000 mm cable; leads and other lengths on request
Bearings:	ball bearings of steel
Housing:	Aluminium



Number of rings	4	6	12	18	24
Power (L*)	85	120	160	on request	on request
Signal (L*)	50	60	90	120	150



SLIP RING

SC 100

LTN

ORdeR Inf ORMA t IOn

Type of slip ring.

S C 1 0 0

No. of rings with:

max. 3 A
max. 16 A

Voltage

Length of leads in mm:

Rotor
Stator

Standard: 1000 mm

Standard: 1000 mm

Inner diameter in mm:

--	--

Standard: 50 mm

İMAJ TEKNİK ELEKTRİK ELEKTRONİK MALZEMELERİ SAN. VE TİC. LTD. ŞTİ.
Emekyemez Mah.Yüksek Minare Sk. No:8 / 17 80020 Karaköy / İstanbul
T.: +90 212 235 95 35 / 36 F.: +90 212 235 95 37 info@imajteknik.com
www.imajteknik.com - www.imajteknik.com.tr

