



SLIP RING
SC 080

FACTS

- Max. 24 rings with 3 A or max. 12 rings with 16 A
- Rings with 3 A or 16 A can be combined
- Outer diameter 80 mm
- Inner diameter max. 30 mm
- 240 V_{AC} / 240 V_{DC}

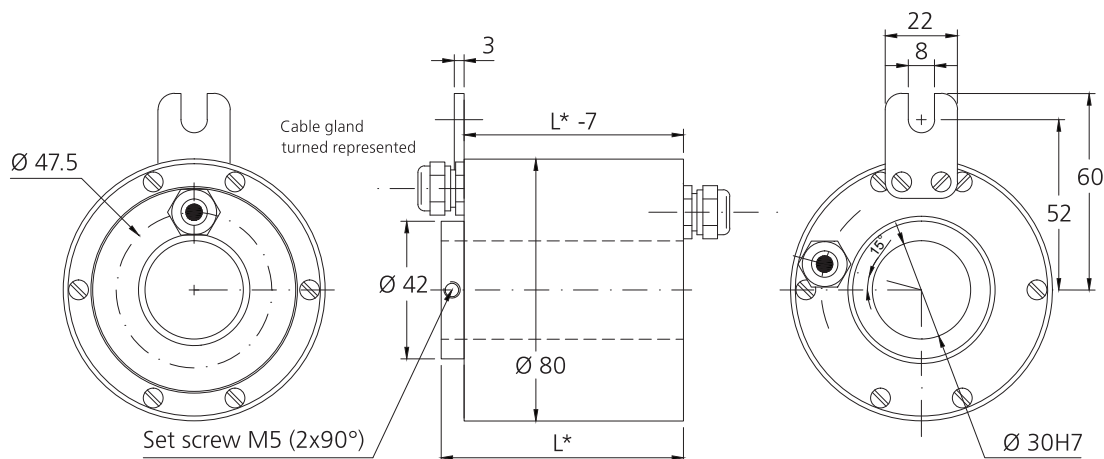


ELECTRICAL DATA

Number of rings:	max. 24 rings pairwise with 3 A; max. 12 rings with 16 A; to be combined
Voltage:	240 V _{AC} / 240 V _{DC}
High pot:	500 V _{AC}
Insulation resistance:	1000 M Ω at 500 V _{DC}
Noise:	20 m Ω at 10 V _{DC} / 1 A

MECHANICAL DATA

Rated speed:	250 min ⁻¹ for gold contacts or 1000 min ⁻¹ for silvercarbone on brass rings
Protection class:	IP 54; IP 64 on request
Temperature:	-20 °C ... +80 °C (-5 °F ... +175 °F)
Rotor / Stator conn.:	1000 mm cable or leads; other lengths on request
Bearings:	ball bearings of steel
Housing:	Aluminium



Number of rings	2	3	4	6	9	12	18	24
Power (L*)	54	64	74	94	124	144	-	-
Signal (L*)	54	-	54	64	-	84	114	154



SLIP RING

SC 080

LTN

ORdeR Inf ORMA t IOn

Type of slip ring.

S C 0 8 0

No. of rings with:

max. 3 A
max. 16 A

Voltage

Standard: max. 24
Standard: max. 12

Length of leads in mm:

Rotor
Stator

Standard: 1000 mm
Standard: 1000 mm

Inner diameter in mm:

--	--

Standard: 30 mm

İMAJ TEKNİK ELEKTRİK ELEKTRONİK MALZEMELERİ SAN. VE TİC. LTD. ŞTİ.
Emekyemez Mah. Yüksek Minare Sk. No:8 / 17 80020 Karaköy / İstanbul
T.: +90 212 235 95 35 / 36 F.: +90 212 235 95 37 info@imajteknik.com
www.imajteknik.com - www.imajteknik.com.tr

