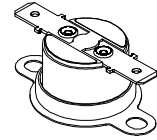


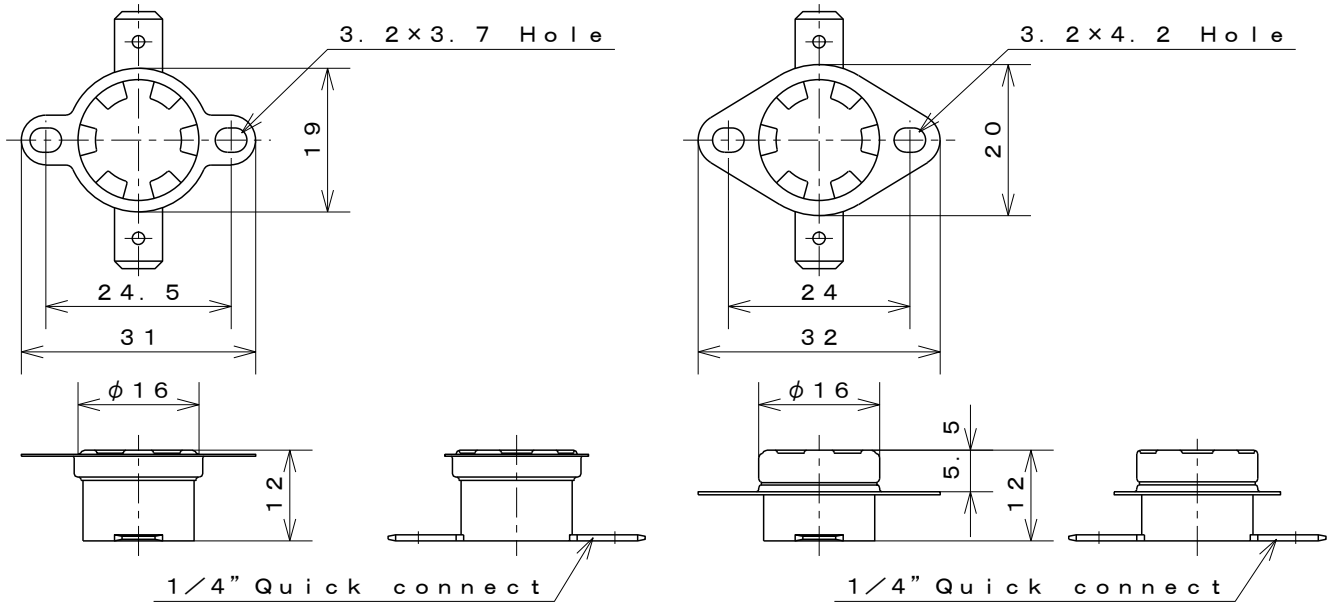


1/2" Disc Type Thermostat Automatic Reset

Type **03EN**



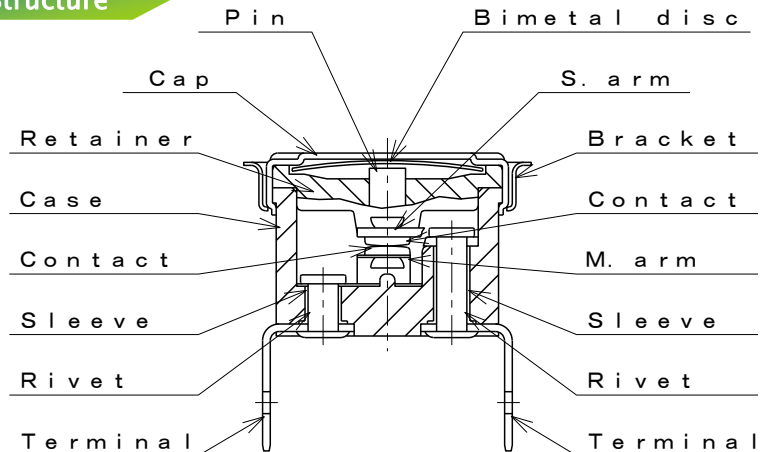
Dimensions



Materials of parts

| Part | Material |
|-----------|---------------------------------------|
| Cap | Aluminum Copper Stainless steel |
| Case | Phenolic resin |
| M.arm | Beryllium Copper alloy |
| Terminals | Brass |
| Bracket | Stainless steel |
| Contacts | Silver-Nickel alloy |

Structure



Specification

| Item | Specification |
|--------------------------|---|
| 1. Basic features | SPST Automatic reset |
| 2. Operation | A : Contacts open on temperature rise B : Contacts close on temperature rise |
| 3. Electrical rating | UL : AC120V/15A AC240V/10A CSA : AC125V/15A AC250V/8A VDE : AC250V/16A |
| 4. Calibration method | Hot & cold air circulation system |
| 5. Temperature rating | Operating temperature Max. 150°C |
| 6. Insulation resistance | Not less than 1,000MΩ/DC500V |
| 7. Dielectric strength | Not less than AC1,500V/1min. or AC1,800V/1sec. |

Standard

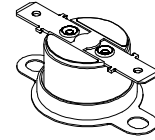
| | | |
|----------------------|-------------|--------------|
| UL 873 | UL File | No. E43273 |
| CSA C22.2 No. 24 | CSA Report | No. LR67165 |
| DIN EN 60730-1, -2-9 | VDE Licence | No. 40004992 |



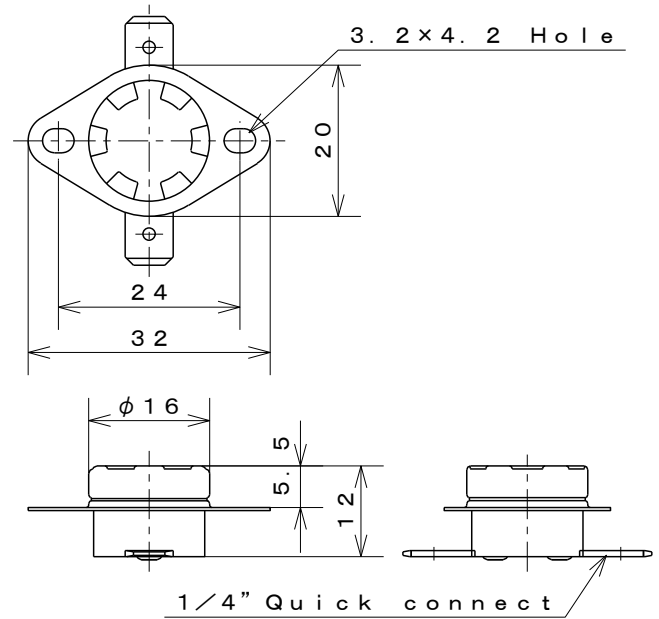
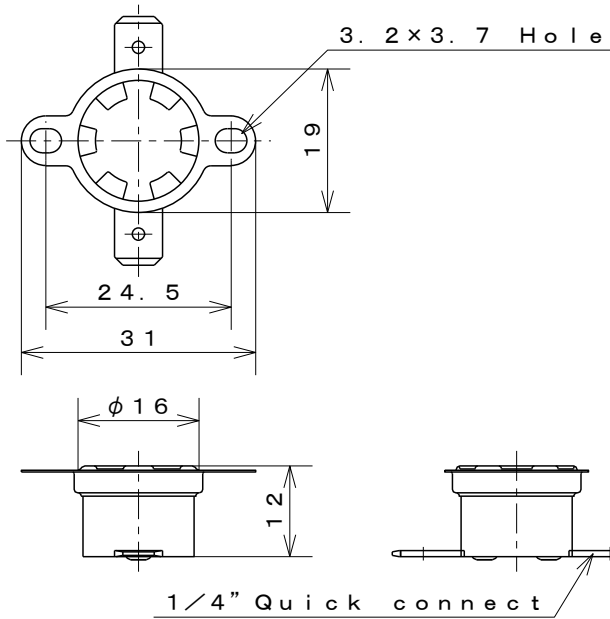


1/2" Disc Type Thermostat
Automatic Reset

Type **03EP**



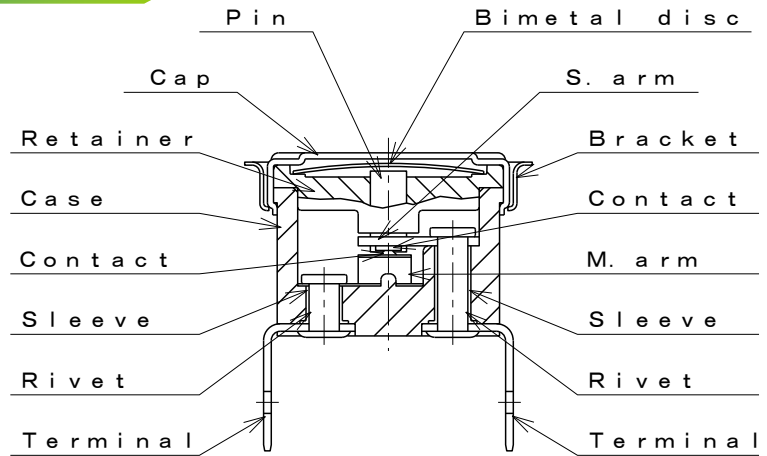
Dimensions



Materials of parts

| Part | Material |
|-----------|---------------------------------------|
| Cap | Aluminum Copper Stainless steel |
| Case | Phenolic resin |
| M.arm | Beryllium Copper alloy |
| Terminals | Brass |
| Bracket | Stainless steel |
| Contacts | PGS-Crossbar |

Structure



Specification

| Item | Specification |
|--------------------------|---|
| 1. Basic features | SPST Automatic reset |
| 2. Operation | A : Contacts open on temperature rise B : Contacts close on temperature rise |
| 3. Electrical rating | AC250V/0.2A DC42V/0.2A |
| 4. Calibration method | Hot & cold air circulation system |
| 5. Temperature rating | Operating temperature Max. 150°C |
| 6. Insulation resistance | Not less than 1,000MΩ/DC500V |
| 7. Dielectric strength | Not less than AC1,500V/1min. or AC1,800V/1sec. |

Standard

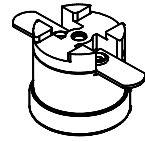
| | | |
|----------------------|-------------|--------------|
| UL 873 | UL File | No. E43273 |
| CSA C22.2 No. 24 | CSA Report | No. LR67165 |
| DIN EN 60730-1, -2-9 | VDE Licence | No. 40004992 |



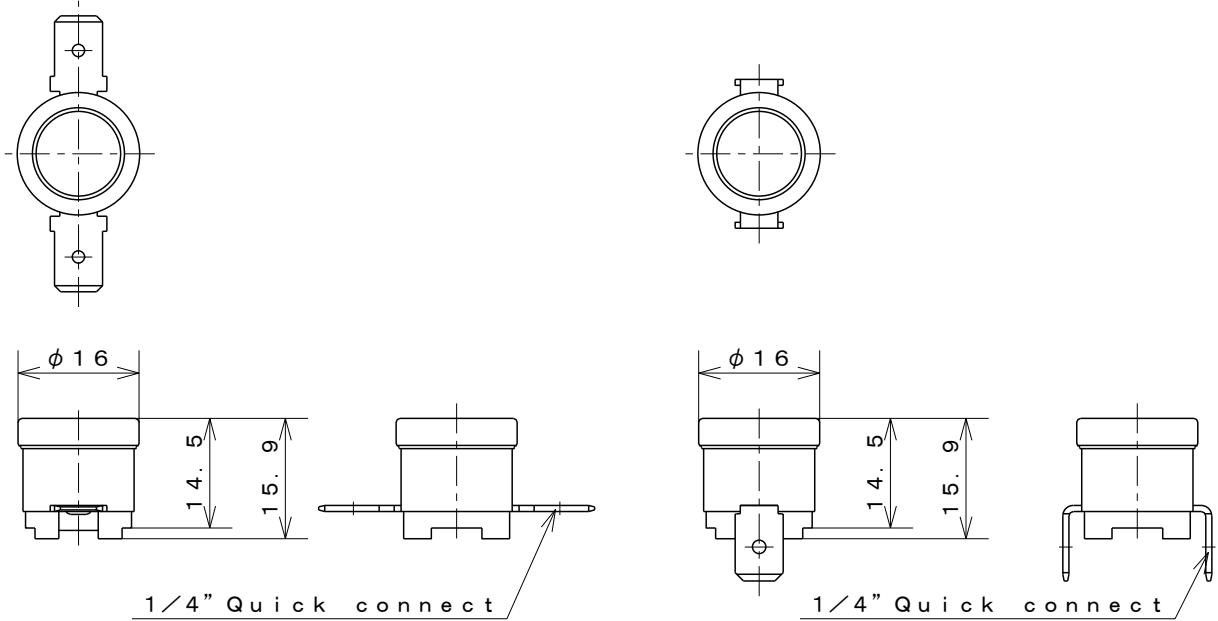


1/2" Disc Type Thermostat
High Temp.& Four Legs Type

Type **07N**



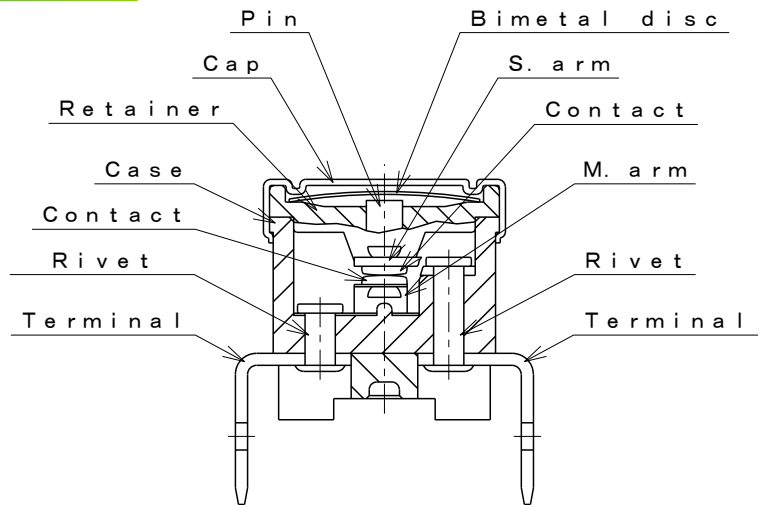
Dimensions



Materials of parts

| Part | Material |
|-----------|---------------------------------------|
| Cap | Aluminum Copper Stainless steel |
| Case | Ceramic |
| M.arm | Beryllium Copper alloy |
| Terminals | Brass, Steel |
| Contacts | Silver-Nickel alloy |

Structure



Specification

| Item | Specification |
|--------------------------|---|
| 1. Basic features | SPST Automatic reset |
| 2. Operation | A : Contacts open on temperature rise B : Contacts close on temperature rise |
| 3. Electrical rating | VDE : AC250V/10A 100,000 Cycles AC250V/13A 30,000 Cycles AC250V/16A 10,000 Cycles UL-CSA : AC125V/15A, AC250V/10A 100,000 Cycles |
| 4. Calibration method | Hot & cold air circulation system |
| 5. Temperature rating | Operating temperature Max. 230°C |
| 6. Insulation resistance | Not less than 1,000MΩ/DC500V |
| 7. Dielectric strength | Not less than AC1,500V/1min. or AC1,800V/1sec. |

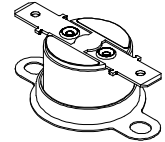
Standard

UL873 CSA C22.2 No.24(C-UR) UL File No. E43273
DIN EN 60730-1, -2-9 VDE Licence No. 40004992

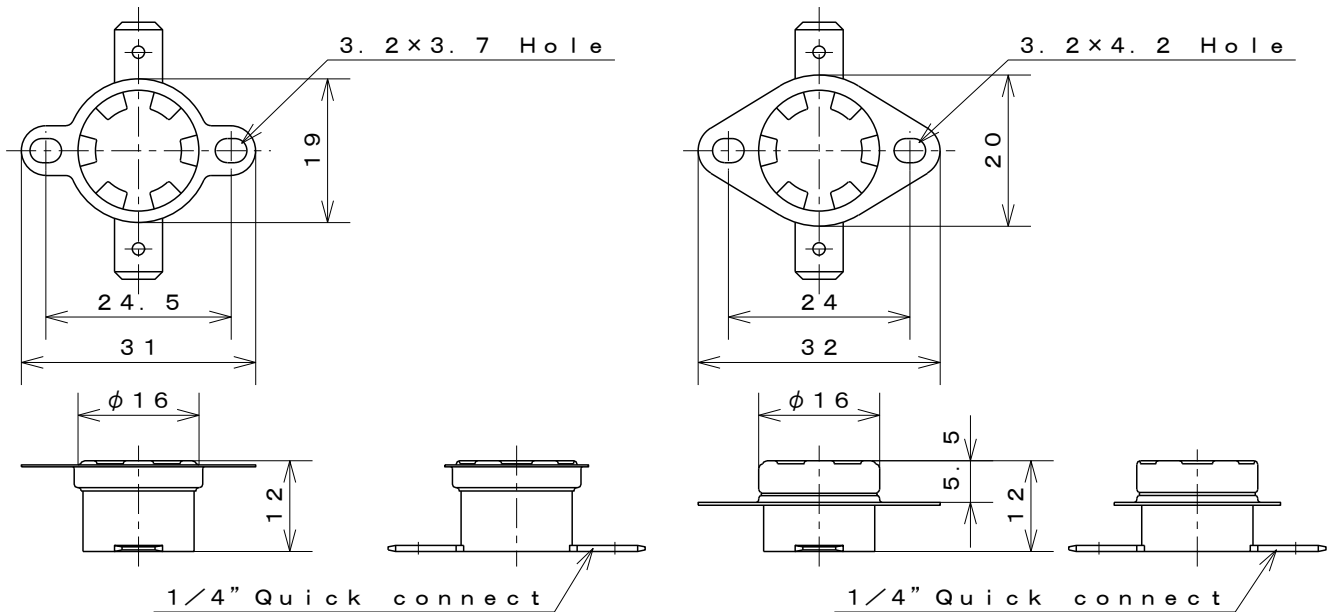


1/2" Disc Type Thermostat Automatic Reset

Type 21EN



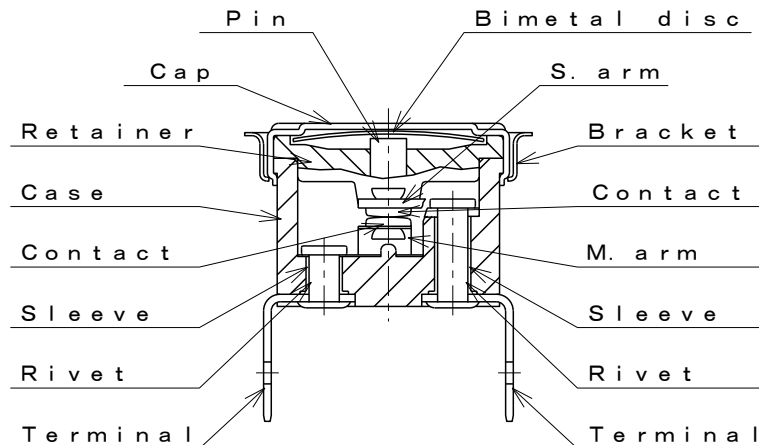
Dimensions



Materials of parts

| Part | Material |
|-----------|------------------------|
| Cap | Aluminum |
| | Copper |
| | Stainless steel |
| Case | Polyester resin |
| M.arm | Beryllium Copper alloy |
| Terminals | Brass |
| Bracket | Stainless steel |
| Contacts | Silver-Nickel alloy |

Structure



Specification

| Item | Specification |
|--------------------------|---|
| 1. Basic features | SPST Automatic reset |
| 2. Operation | A : Contacts open on temperature rise B : Contacts close on temperature rise |
| 3. Electrical rating | AC250V/16A 10,000 cycles VDE:AC250V/10A 100,000 cycles |
| 4. Calibration method | Hot & cold air circulation system |
| 5. Temperature rating | Operating temperature Max. 180°C |
| 6. Insulation resistance | 1,000MΩ or more / DC500V |
| 7. Dielectric strength | AC1,500V/1min. or AC1,800V/1sec. |

Standard

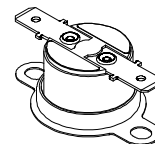
UL 873, CSA C22.2(C-UR) UL File No. E43273
 DIN EN 60730-1, -2-9 VDE Licence No. 40004992
 MITI (JET) J-147



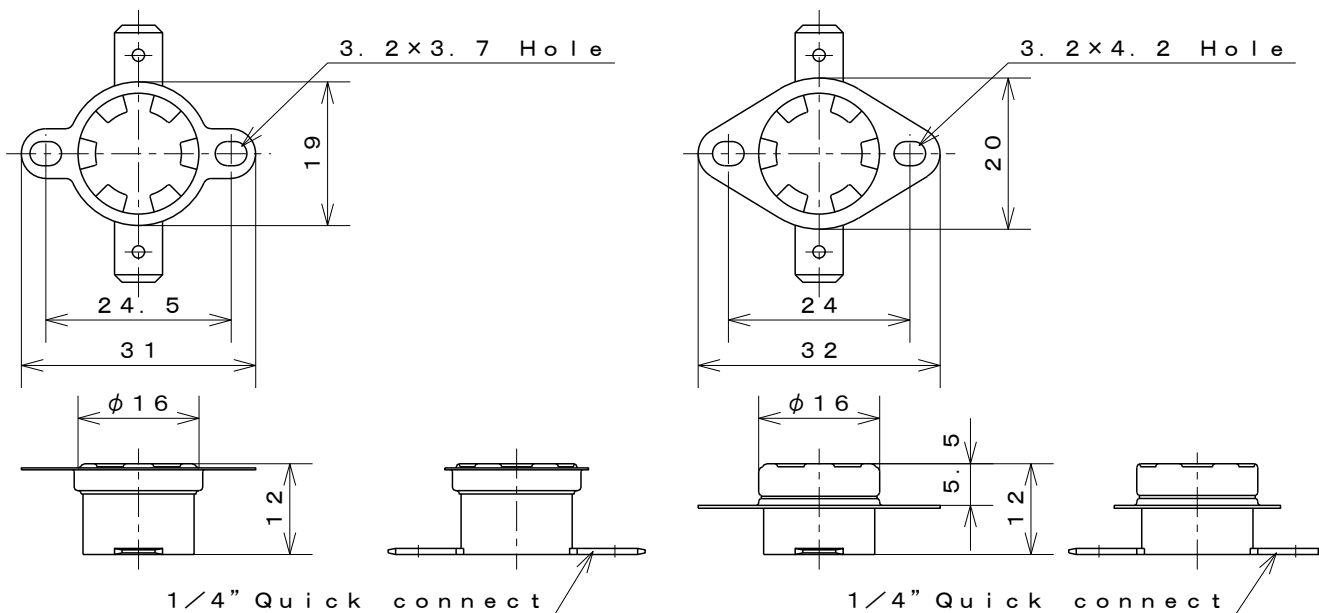


1/2" Disc Type Thermostat Automatic Reset

Type 21EP



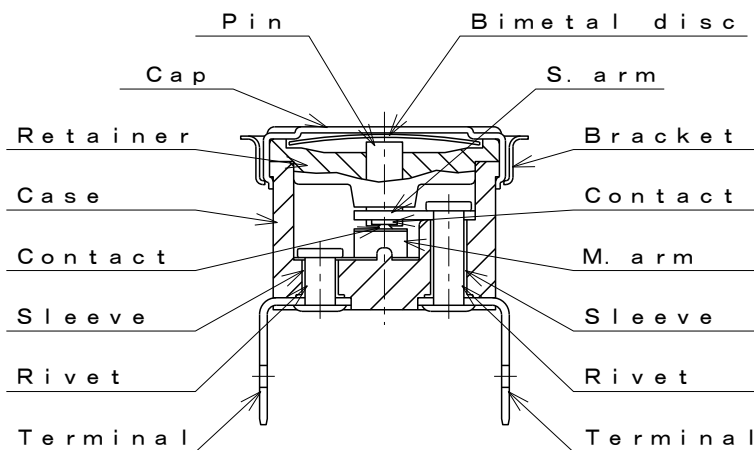
Dimensions



Materials of parts

| Part | Material |
|-----------|---------------------------------------|
| Cap | Aluminum Copper Stainless steel |
| Case | Polyester resin |
| M.arm | Beryllium Copper alloy |
| Terminals | Brass |
| Bracket | Stainless steel |
| Contacts | PGS-Crossbar |

Structure



Specification

| Item | Specification |
|--------------------------|---|
| 1. Basic features | SPST Automatic reset |
| 2. Operation | A : Contacts open on temperature rise B : Contacts close on temperature rise |
| 3. Electrical rating | AC250V/0.2A DC42V/0.2A 100,000 cycles |
| 4. Calibration method | Hot & cold air circulation system |
| 5. Temperature rating | Operating temperature Max. 180°C |
| 6. Insulation resistance | 1,000MΩ or more / DC500V |
| 7. Dielectric strength | AC1,500V/1min. or AC1,800V/1sec. |

Standard

UL 873, CSA C22.2(C-UR) UL File No. E43273
DIN EN 60730-1, -2-9 VDE Licence No. 40004992

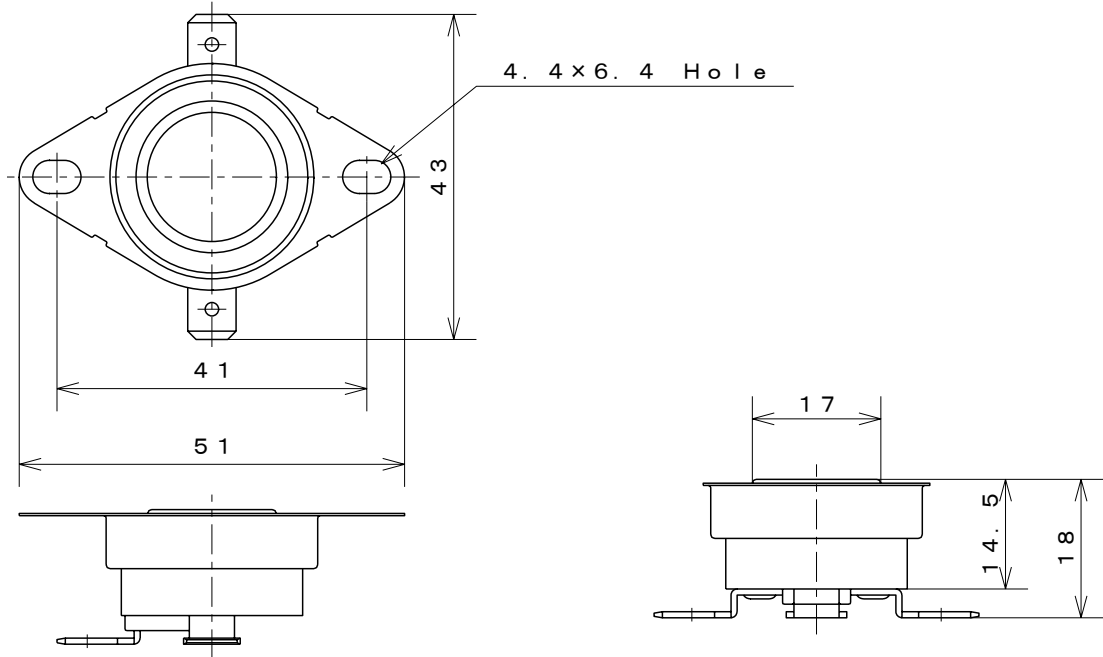




3/4" Disc Type Thermostat
Automatic Reset

Type **30** Series

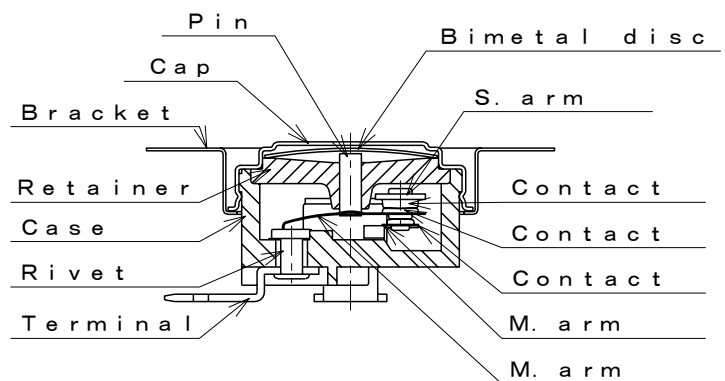
Dimensions



Materials of parts

| Part | Material |
|-----------|--|
| Cap | Copper Stainless steel |
| Case | Phenolic resin |
| M.arm | Beryllium Copper alloy |
| Terminals | Brass |
| Bracket | Stainless steel |
| Contacts | Silver-Nickel alloy (31,32) Silver (33) |

Structure



Specification

| Item | Specification |
|--|---|
| 1. Basic features | SPDT Automatic reset |
| 2. Operation | L : Contacts open on temperature rise F : Contacts close on temperature rise |
| 3. Electrical rating by variation of Type | 31 :C-A AC125V/20A AC250V/15A :C-B AC125V/10A AC250V/ 8A 32 :C-A AC125V/20A AC250V/15A :C-B AC125V/ 3A AC250V/ 3A 33 :C-A AC125V/ 3A AC250V/ 3A :C-B AC125V/ 3A AC250V/ 3A |
| 4. Calibration method | Hot & cold air circulation system |
| 5. Temperature rating | Operating temperature Max. 150°C |
| 6. Insulation resistance | Not less than AC1,000MΩ /DC500V. |
| 7. Dielectric strength | Not less than AC1,500V/1 min. or AC1,800V/1 sec. |

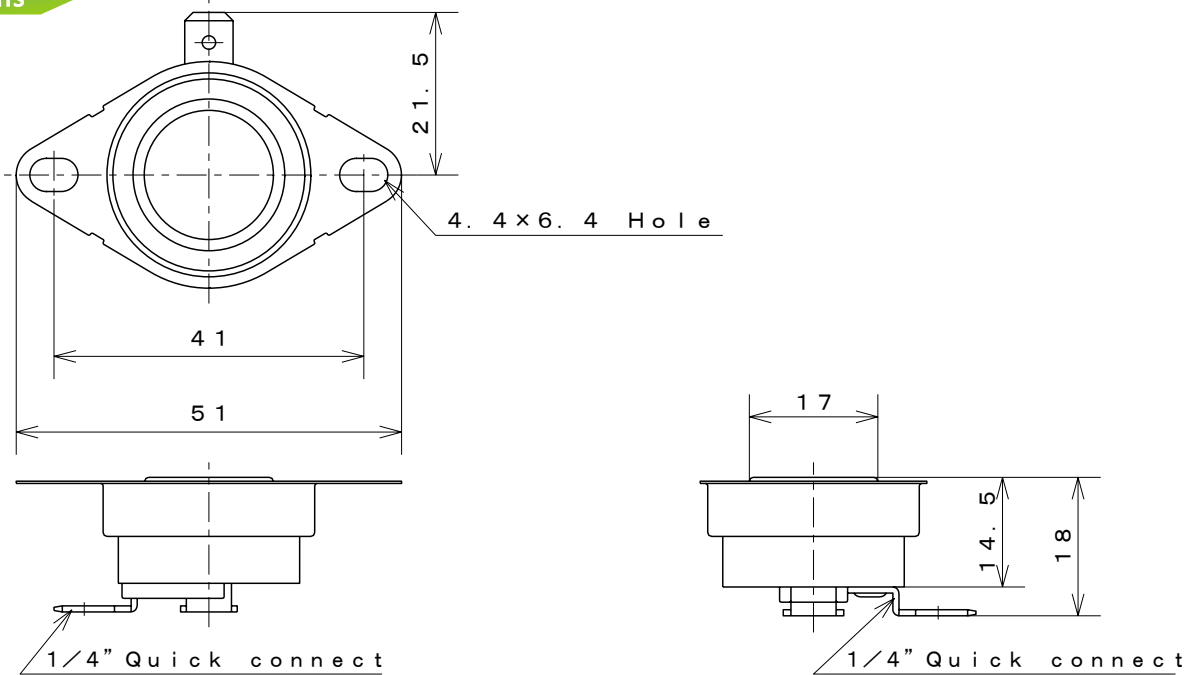




3/4" Disc Type Thermostat Automatic Reset

Type 41

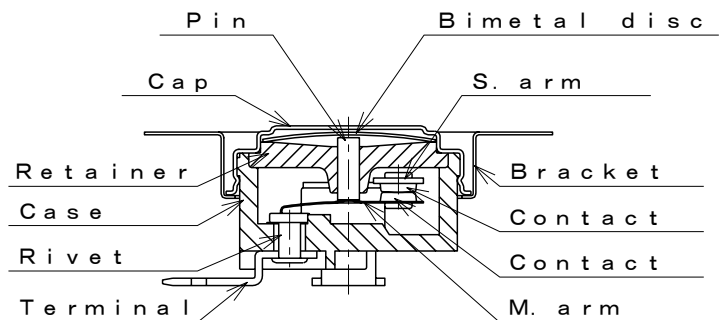
Dimensions



Materials of parts

| Part | Material |
|-----------|---------------------------|
| Cap | Copper Stainless steel |
| Case | Phenolic resin |
| M.arm | Beryllium Copper alloy |
| Terminals | Brass |
| Bracket | Stainless steel |
| Contacts | Silver-Nickel alloy |

Structure



Specification

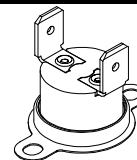
| Item | Specification |
|--------------------------|---|
| 1. Basic features | SPST Automatic reset |
| 2. Operation | A : Contacts open on temperature rise B : Contacts close on temperature rise |
| 3. Electrical rating | AC125V/20A AC250V/15A |
| 4. Calibration method | Hot & cold air circulation system |
| 5. Temperature rating | Operating temperature Max. 150°C |
| 6. Insulation resistance | Not less than 1,000MΩ/DC500V |
| 7. Dielectric strength | Not less than AC1,500V/1min. or AC1,800V/1sec. |



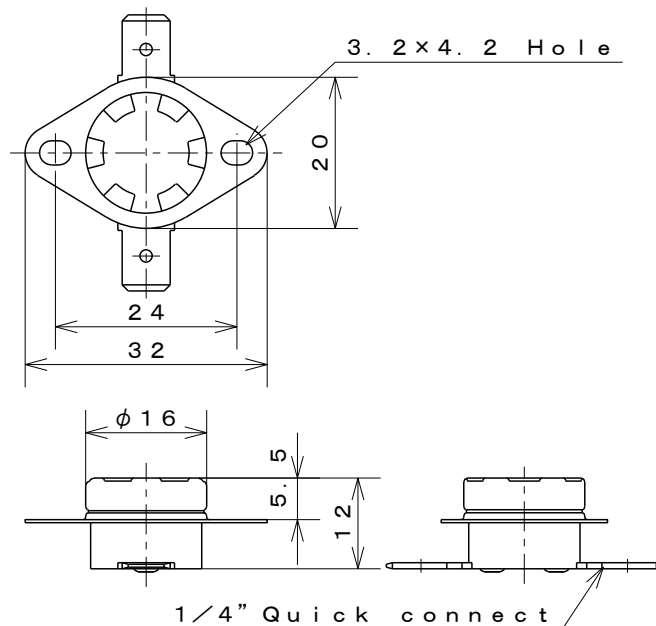
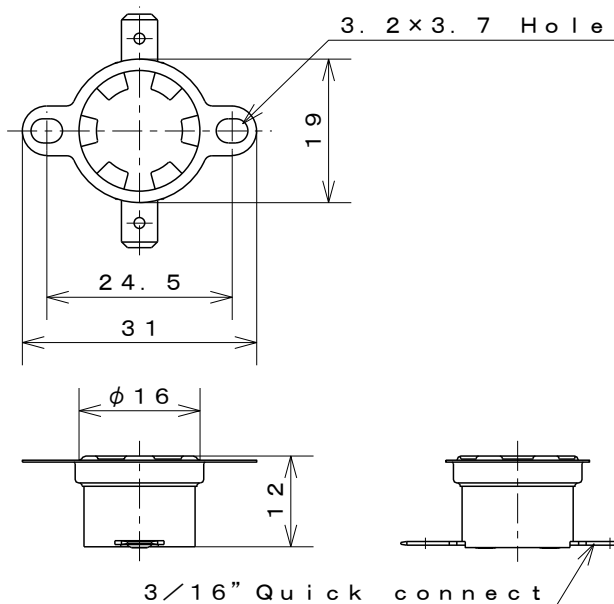


1/2" Disc Type Thermostat High Temp. Type

Type 52N



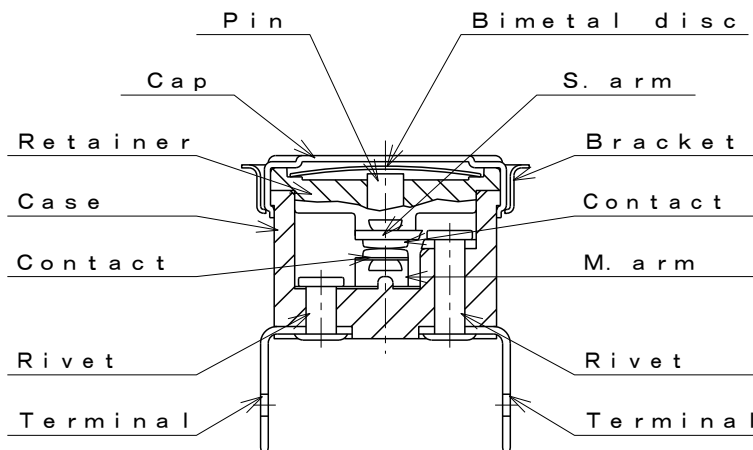
Dimensions



Materials of parts

| Part | Material |
|-----------|------------------------|
| Cap | Aluminum |
| | Copper |
| | Stainless steel |
| Case | Ceramic |
| M.arm | Beryllium Copper alloy |
| Terminals | Brass, Steel |
| Bracket | Stainless steel |
| Contacts | Silver-Nickel alloy |

Structure



Specification

| Item | Specification |
|--------------------------|--|
| 1. Basic features | SPST Automatic reset |
| 2. Operation | A : Contacts open on temperature rise |
| | B : Contacts close on temperature rise |
| 3. Electrical rating | UL, CSA : AC125V/15A AC250V/10A (100,000 cycles) VDE : AC250V/10A (100,000 cycles) , AC250V/16A (10,000 cycles) |
| 4. Calibration method | Hot & cold air circulation system |
| 5. Temperature rating | Operating temperature Max. 200°C 230°C |
| 6. Insulation resistance | Not less than 1,000MΩ/DC500V |
| 7. Dielectric strength | Not less than AC1,500V/1 min. or AC1,800V/1 sec. |

Standard

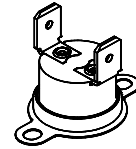
| | | |
|----------------------|-------------|--------------|
| UL 873 | UL File | No. E43273 |
| CSA C22.2 No. 24 | CSA Report | No. LR67165 |
| DIN EN 60730-1, -2-9 | VDE Licence | No. 40004992 |



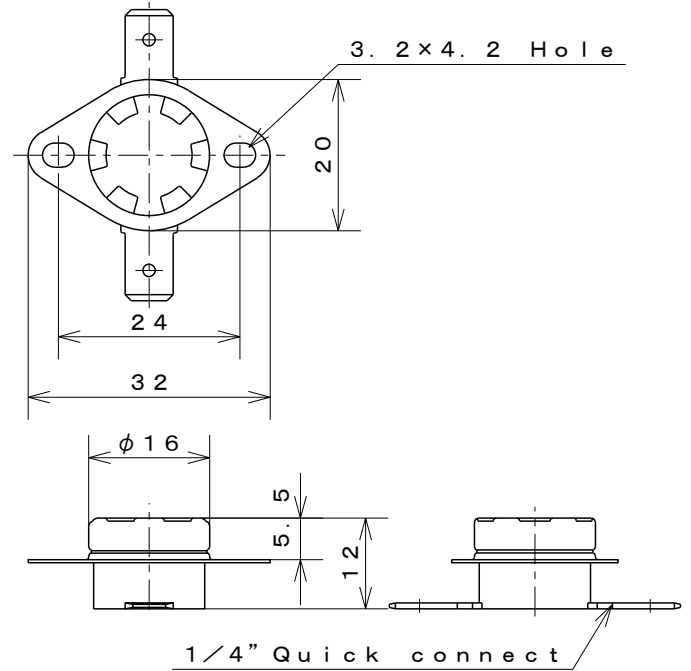
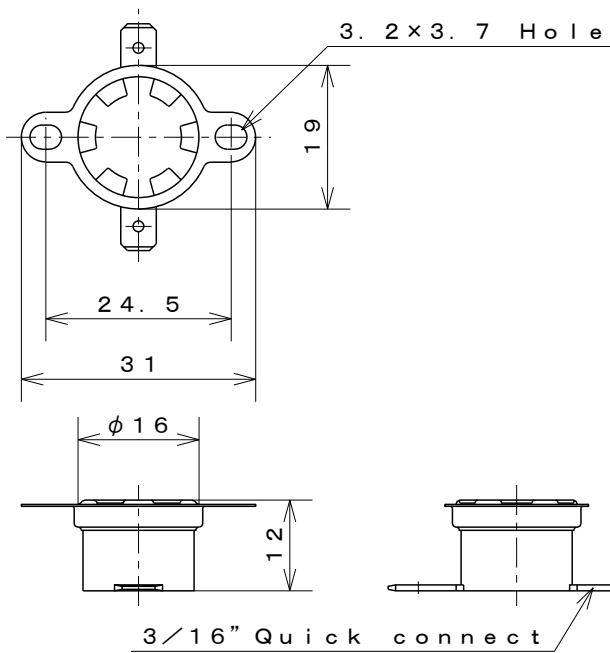


1/2" Disc Type Thermostat
High Temp. Type

Type **52P**



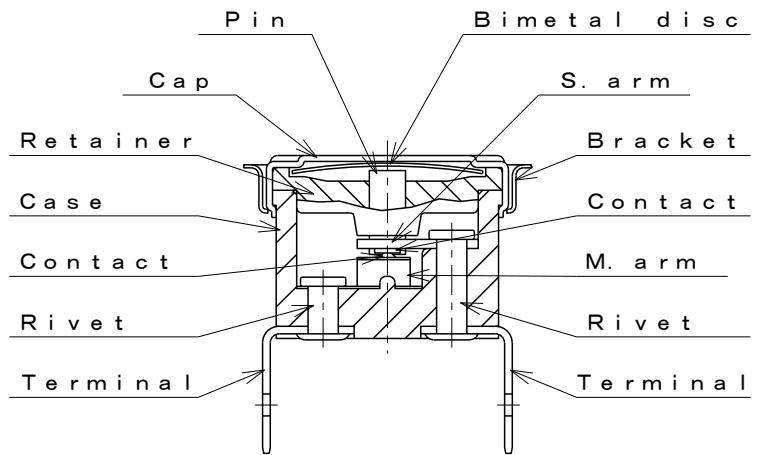
Dimensions



Materials of parts

| Part | Material |
|-----------|---------------------------------------|
| Cap | Aluminum Copper Stainless steel |
| Case | Ceramic |
| M.arm | Beryllium Copper alloy |
| Terminals | Brass, Steel |
| Bracket | Stainless steel |
| Contacts | PGS-Crossbar |

Structure



Specification

| Item | Specification |
|--------------------------|---|
| 1. Basic features | SPST Automatic reset |
| 2. Operation | A : Contacts open on temperature rise B : Contacts close on temperature rise |
| 3. Electrical rating | AC250V/0.2A DC42V/0.2A |
| 4. Calibration method | Hot & cold air circulation system |
| 5. Temperature rating | Operating temperature Max. 230°C |
| 6. Insulation resistance | Not less than 1,000MΩ/DC500V |
| 7. Dielectric strength | Not less than AC1,500V/1min. or AC1,800V/1sec. |

Standard

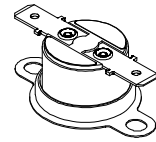
UL 873, C-UR C22.2 No.24 UL File No. E43273
DIN EN 60730-1, -2-9 VDE Licence No. 40004992



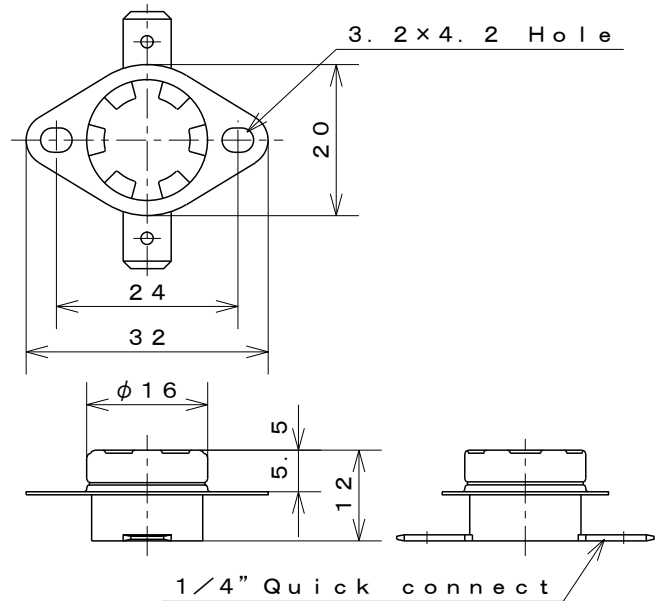
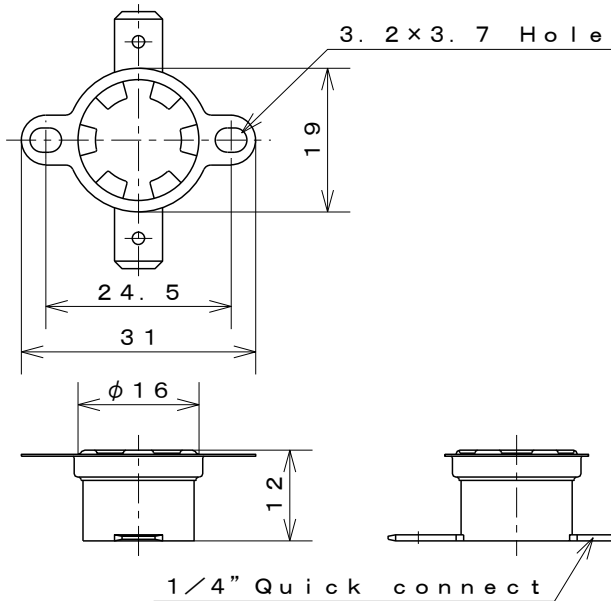


1/2" Disc Type Thermostat Automatic Reset

Type 54N



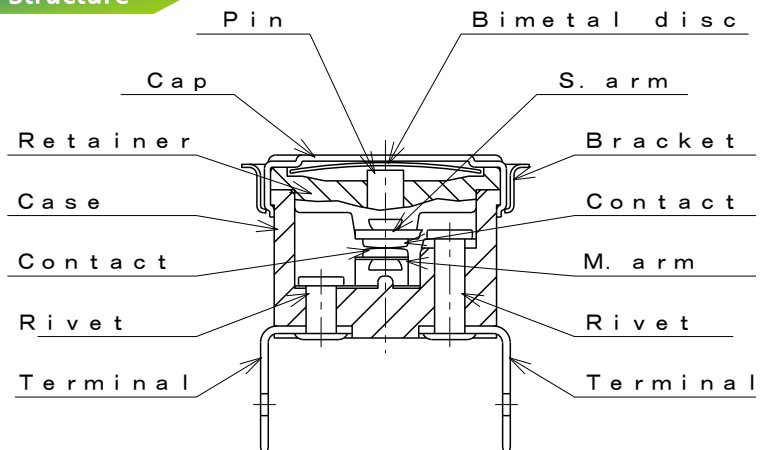
Dimensions



Materials of parts

| Part | Material |
|-----------|------------------------|
| Cap | Aluminum |
| | Copper |
| | Stainless steel |
| Case | Phenolic resin |
| M.arm | Beryllium Copper alloy |
| Terminals | Brass |
| Bracket | Stainless steel |
| Contacts | Silver-Nickel alloy |

Structure



Specification

| Item | Specification |
|--------------------------|---|
| 1. Basic features | SPST Automatic reset |
| 2. Operation | A : Contacts open on temperature rise B : Contacts close on temperature rise |
| 3. Electrical rating | UL : AC120V/15A AC240V/10A CSA : AC125V/15A AC250V/8A |
| 4. Calibration method | Hot & cold air circulation system |
| 5. Temperature rating | Operating temperature Max. 150°C |
| 6. Insulation resistance | Not less than 1,000MΩ/DC500V |
| 7. Dielectric strength | Not less than AC1,500V/1min. or AC1,800V/1sec. |

Standard

UL 873
CSA C22.2 No. 24

UL File No. E43273
CSA Report No. LR67165

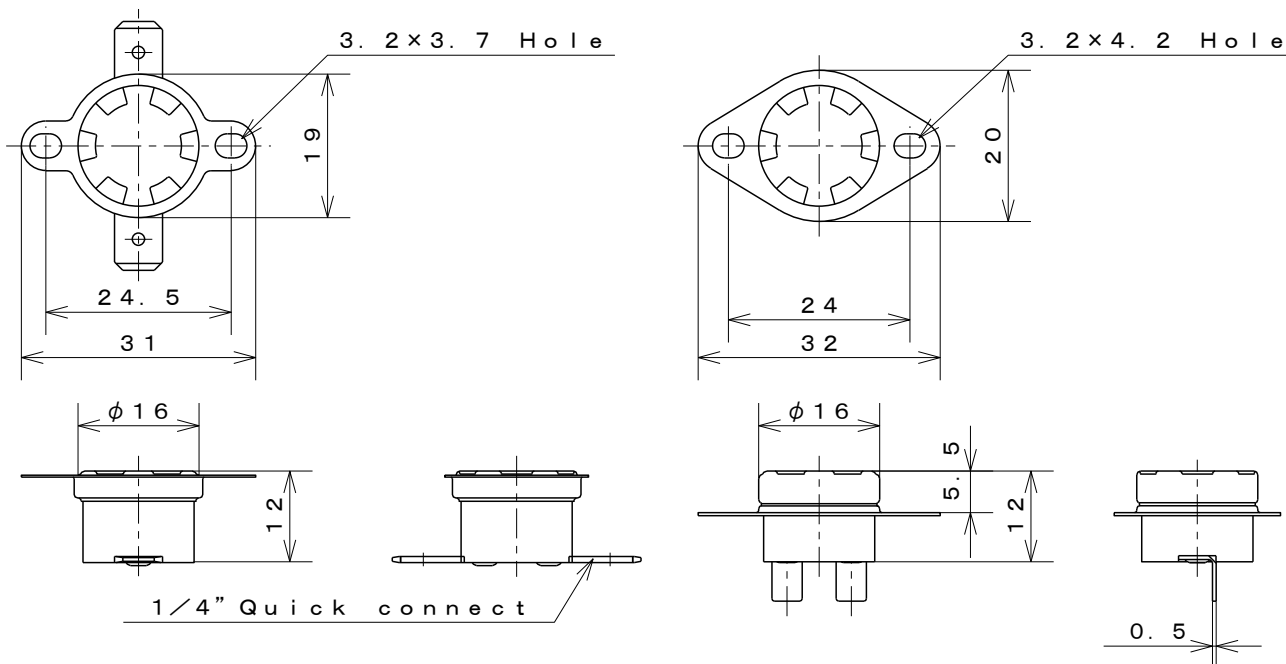




1/2" Disc Type Thermostat High Temp. Type

Type 55H

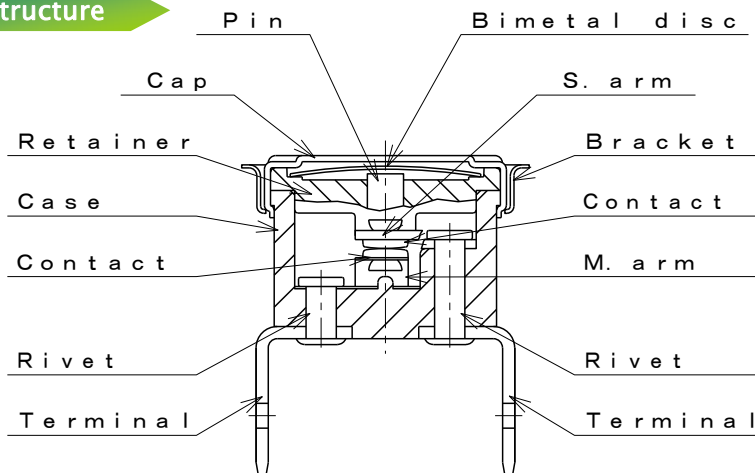
Dimensions



Materials of parts

| Part | Material |
|-----------|---------------------------------------|
| Cap | Aluminum Copper Stainless steel |
| Case | Ceramic |
| M.arm | Nickel alloy |
| Terminals | Steel #250 Tab, Weld |
| Bracket | Stainless steel |
| Contacts | Silver |

Structure



Specification

| Item | Specification |
|--------------------------|--|
| 1. Basic features | SPST Automatic reset |
| 2. Operation | A : Contacts open on temperature rise |
| 3. Electrical rating | AC250V/7A |
| 4. Calibration method | Hot & cold air circulation system |
| 5. Temperature rating | Operating temperature Max. 260°C |
| 6. Insulation resistance | Not less than 1,000MΩ/DC500V |
| 7. Dielectric strength | Not less than AC1,500V/1 min. or AC1,800V/1 sec. |

Standard

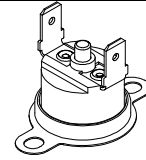
DIN EN 60730-1, -2-9 VDE File No.40004992



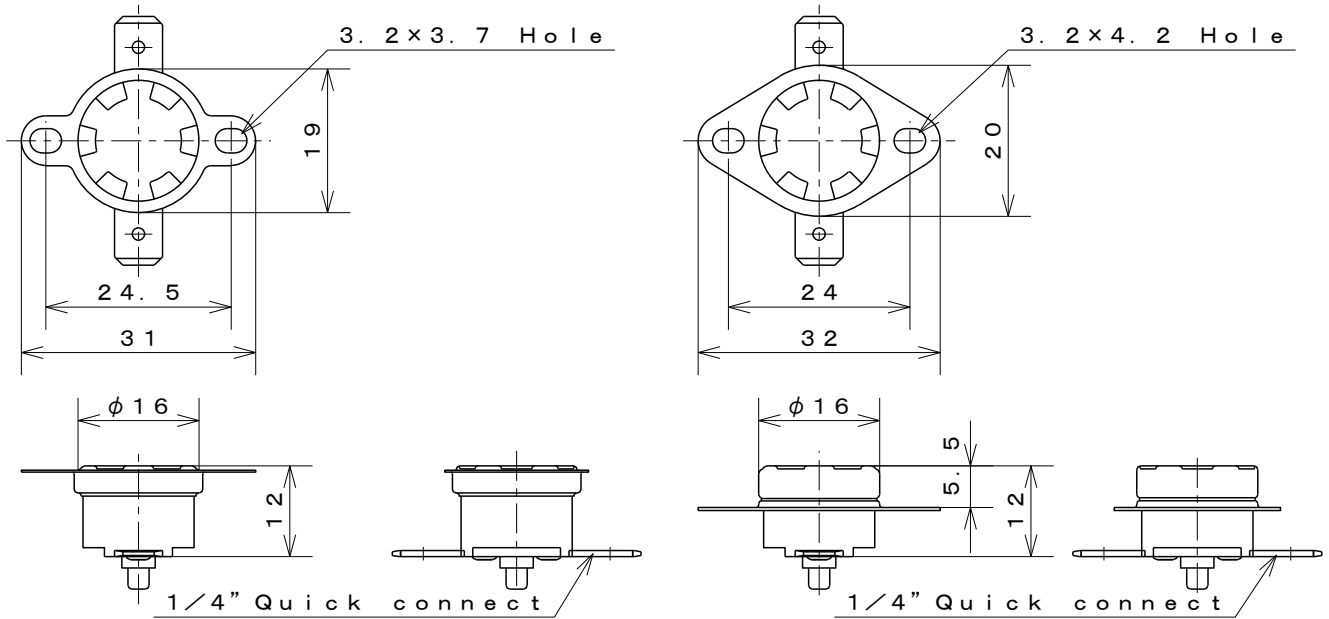


1/2" Disc Type Thermostat Manual Reset

Type 05EN



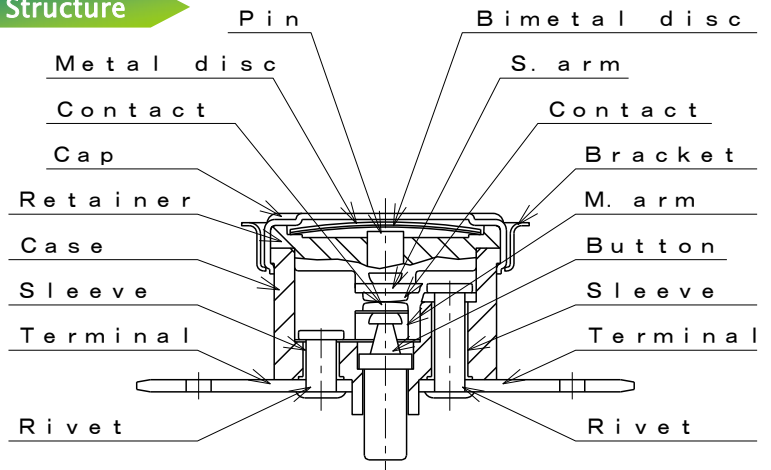
Dimensions



Materials of parts

| Part | Material |
|-----------|---------------------------------------|
| Cap | Aluminum Copper Stainless steel |
| Case | Phenolic resin |
| M.arm | Beryllium Copper alloy |
| Terminals | Brass |
| Bracket | Stainless steel |
| Contacts | Silver-Nickel alloy |
| Button | Phenolic resin |

Structure



Specification

| Item | Specification |
|--------------------------|--|
| 1. Basic features | SPST Manual reset |
| 2. Operation | A : Contacts open on temperature rise Not automatic reset |
| 3. Electrical rating | UL : AC120V/15A AC240V/10A CSA : AC125V/15A AC250V/10A VDE : AC250V/16A |
| 4. Calibration method | Hot & cold air circulation system |
| 5. Temperature rating | Operating temperature Max. 150°C |
| 6. Insulation resistance | Not less than 1,000MΩ/DC500V |
| 7. Dielectric strength | Not less than AC1,500V/1min. or AC1,800V/1sec. |

Standard

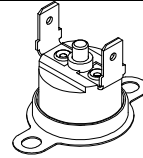
| | | |
|----------------------|-------------|--------------|
| UL 873 | UL File | No. E43273 |
| CSA C22.2 No. 24 | CSA Report | No. LR67165 |
| DIN EN 60730-1, -2-9 | VDE Licence | No. 40012267 |



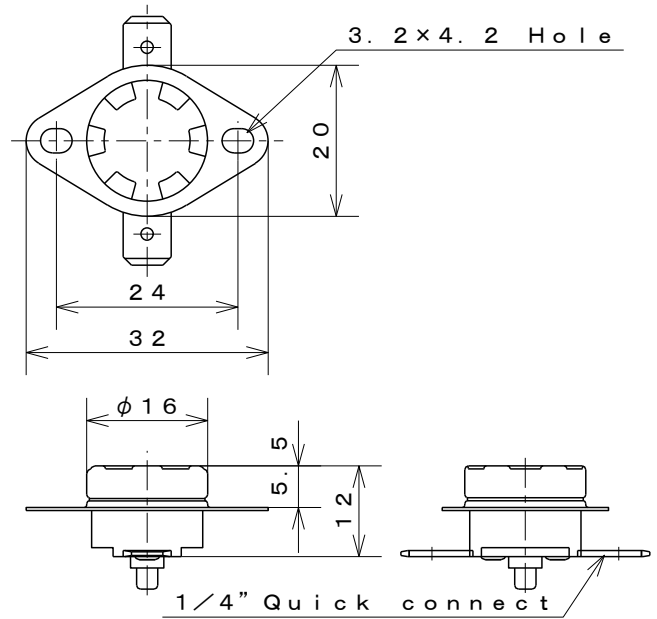
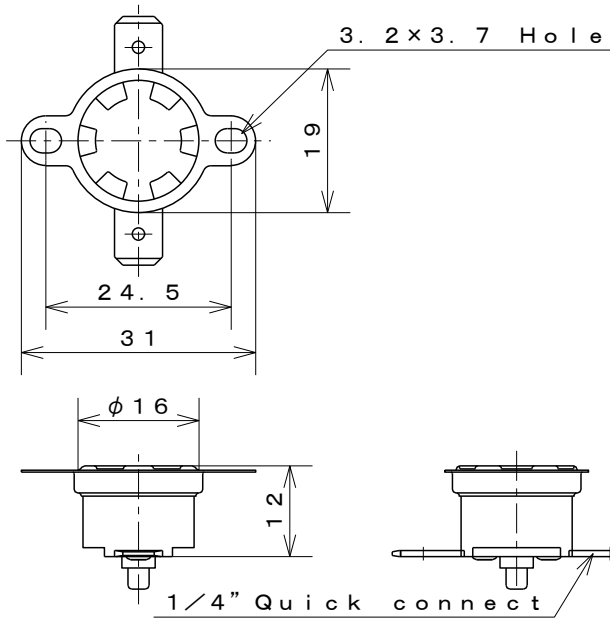


1/2" Disc Type Thermostat
Manual Reset

Type **05EP**



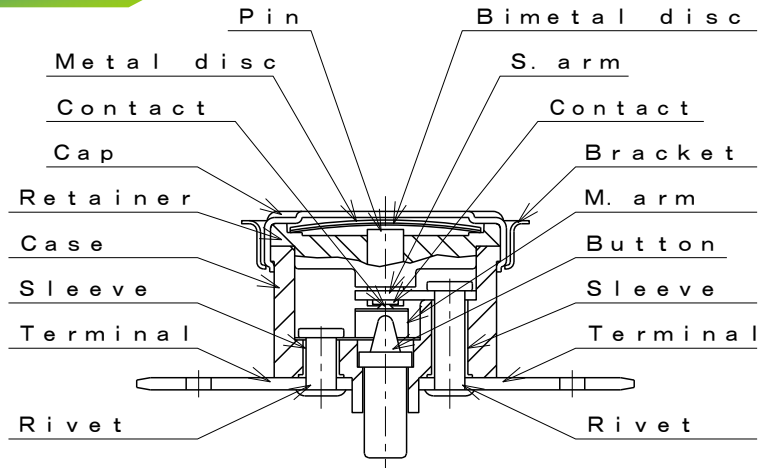
Dimensions



Materials of parts

| Part | Material |
|-----------|---------------------------------------|
| Cap | Aluminum Copper Stainless steel |
| Case | Phenolic resin |
| M.arm | Beryllium Copper alloy |
| Terminals | Brass |
| Bracket | Stainless steel |
| Contacts | PGS-Crossbar |
| Button | Phenolic resin |

Structure



Specification

| Item | Specification |
|--------------------------|---|
| 1. Basic features | SPST Manual reset |
| 2. Operation | A : Contacts open on temperature rise Not automatic reset |
| 3. Electrical rating | UL / CSA : AC250V/0.1A DC30V/0.1A VDE : AC250V/0.2A DC42V/0.2A |
| 4. Calibration method | Hot & cold air circulation system |
| 5. Temperature rating | Operating temperature Max. 150°C |
| 6. Insulation resistance | Not less than 1,000MΩ/DC500V |
| 7. Dielectric strength | Not less than AC1,500V/1min. or AC1,800V/1sec. |

Standard

| | | |
|----------------------|-------------|--------------|
| UL 873 | UL File | No. E43273 |
| CSA C22.2 No. 24 | CSA Report | No. LR67165 |
| DIN EN 60730-1, -2-9 | VDE Licence | No. 40012267 |



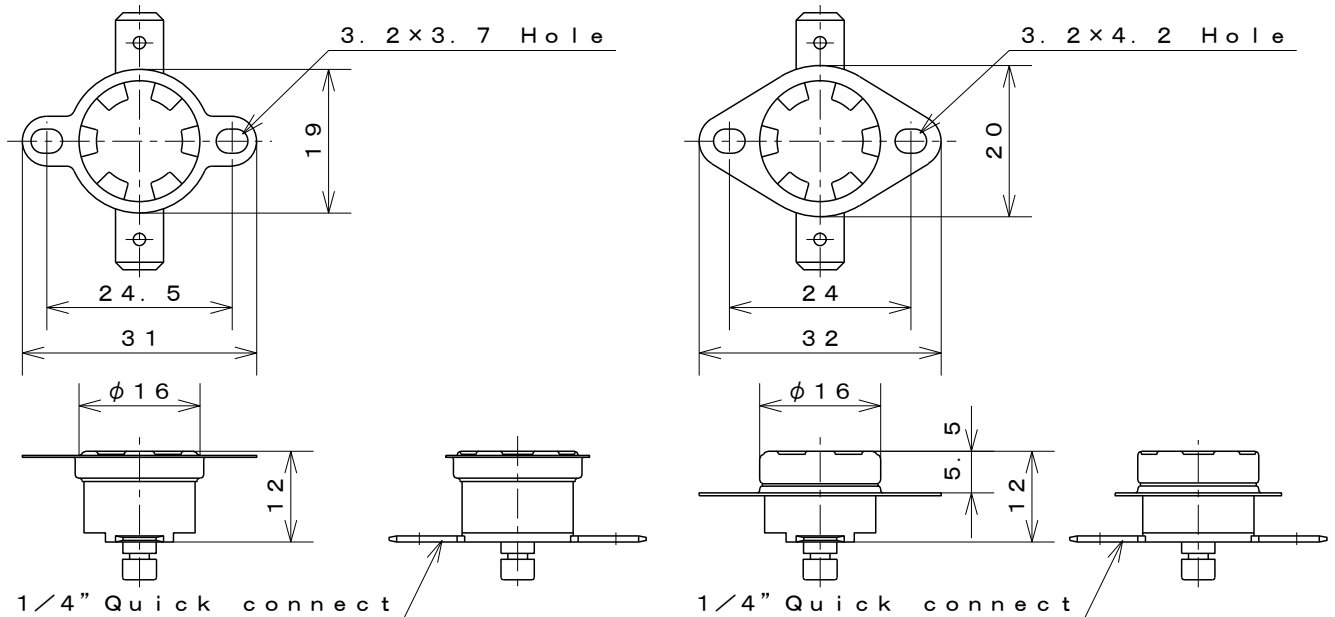


1/2" Disc Type Thermostat High Temp. Manual Reset

Type 15N

UL-C-UR-VDE
Recognized

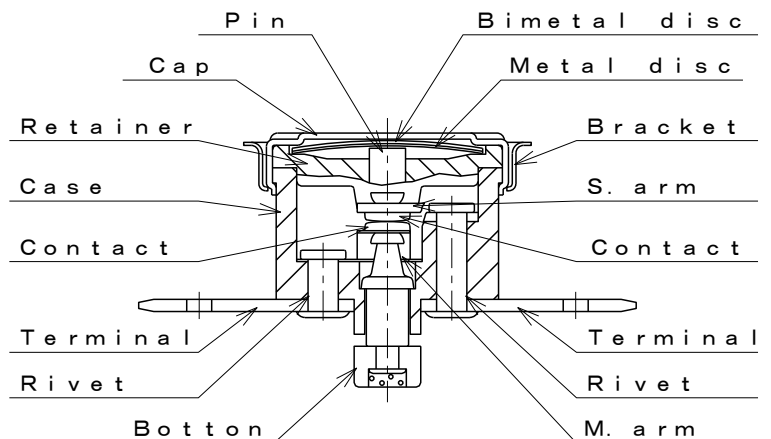
Dimensions



Materials of parts

| Part | Material |
|-----------|------------------------|
| Cap | Aluminum |
| | Copper |
| | Stainless steel |
| Case | Ceramic |
| M.arm | Beryllium Copper alloy |
| Terminals | Steel |
| Bracket | Stainless steel |
| Contacts | Silver-Nickel alloy |

Structure



Specification

| Item | Specification |
|--------------------------|--|
| 1. Basic features | SPST Manual reset |
| 2. Operation | A : Contacts open on temperature rise Not automatic reset |
| 3. Electrical rating | AC125V/15A AC250V/10A |
| 4. Calibration method | Hot & cold air circulation system |
| 5. Temperature rating | Operating temperature Max. 250°C |
| 6. Insulation resistance | Not less than 1,000MΩ/DC500V |
| 7. Dielectric strength | Not less than AC1,500V/1min. or AC1,800V/1sec. |

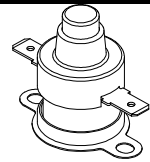
Standard

| | | |
|----------------------|-------------|--------------|
| MITI (JET) J-58 | UL File | No. E201152 |
| UL 60730-1, -2-9 | C-UR | |
| CAN/CSA E730-1, -2-9 | VDE Licence | No. 40019831 |
| DIN EN 60730-1, -2-9 | | |

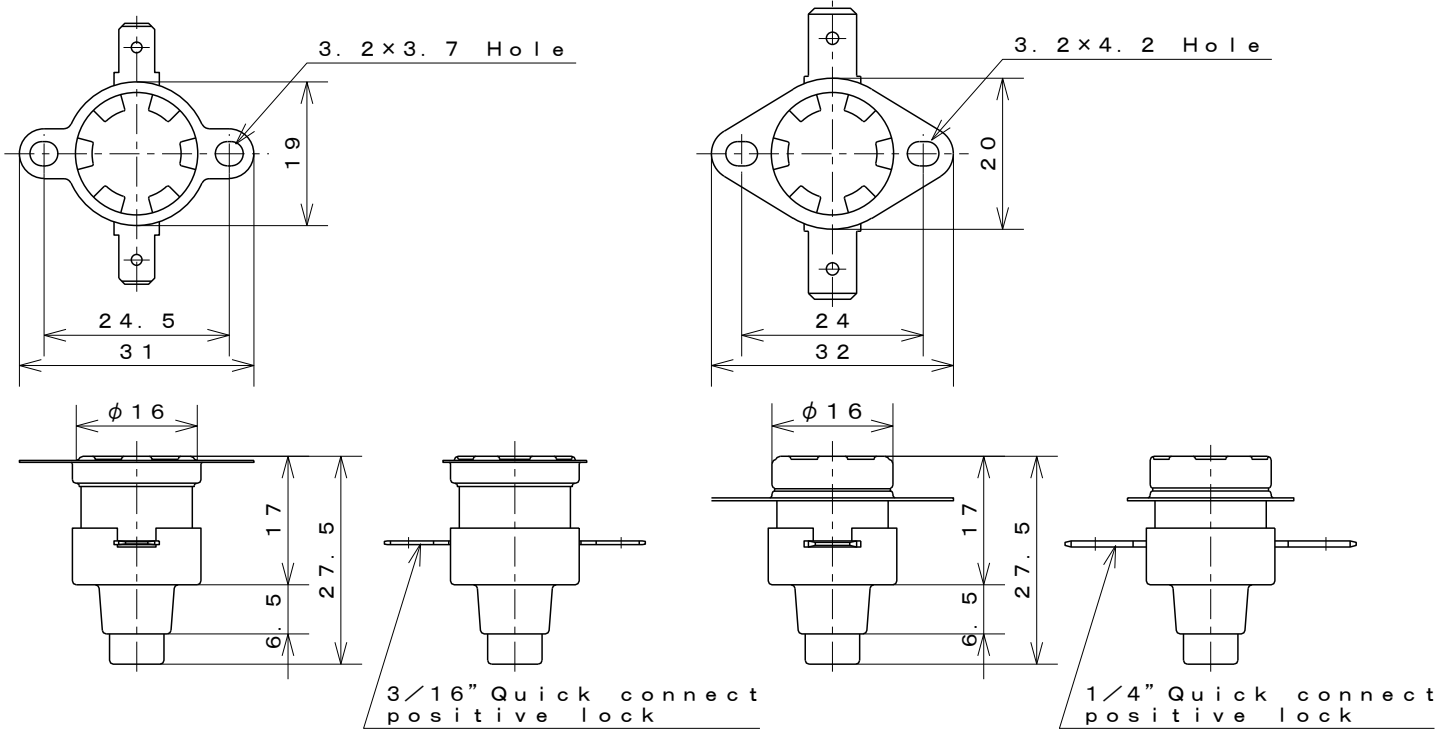


1/2" Disc Type Thermostat Manual Reset

Type 23EN



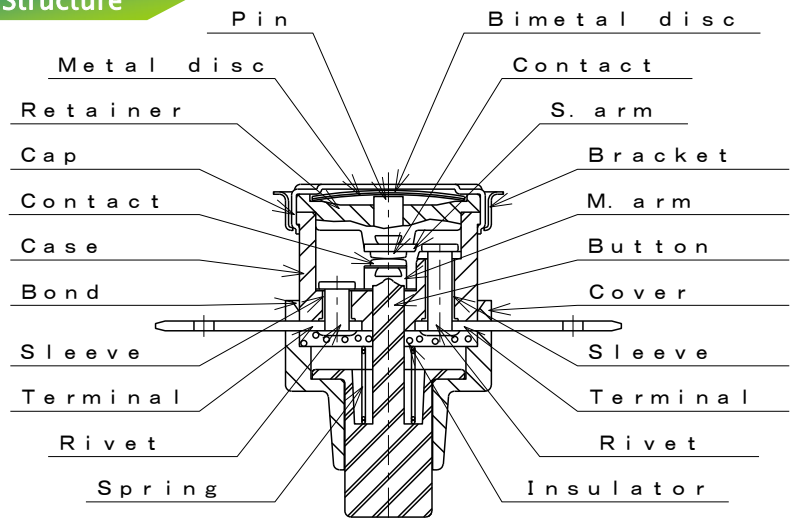
Dimensions



Materials of parts

| Part | Material |
|-----------|---------------------------------------|
| Cap | Aluminum Copper Stainless steel |
| Case | Phenolic resin |
| M.arm | Beryllium Copper alloy |
| Terminals | Brass |
| Bracket | Stainless steel |
| Contacts | Silver-Nickel alloy |
| Button | Phenolic resin |

Structure



Specification

| Item | Specification |
|--------------------------|--|
| 1. Basic features | SPST Manual reset |
| 2. Operation | A : Contacts open on temperature rise Not automatic reset |
| 3. Electrical rating | UL, C-UR : AC120V/15A AC240V/10A 6,000 cycles VDE : AC250V/16A 3,000 cycles |
| 4. Calibration method | Hot & cold air circulation system |
| 5. Temperature rating | Operating temperature Max. 150°C |
| 6. Insulation resistance | Not less than 1,000MΩ/DC500V |
| 7. Dielectric strength | Not less than AC1,500V/1min. or AC1,800V/1sec. |

Standard

UL 873, C-UR UL File No. E43273
DIN EN 60730-1, -2-9 VDE Licence No. 40012267



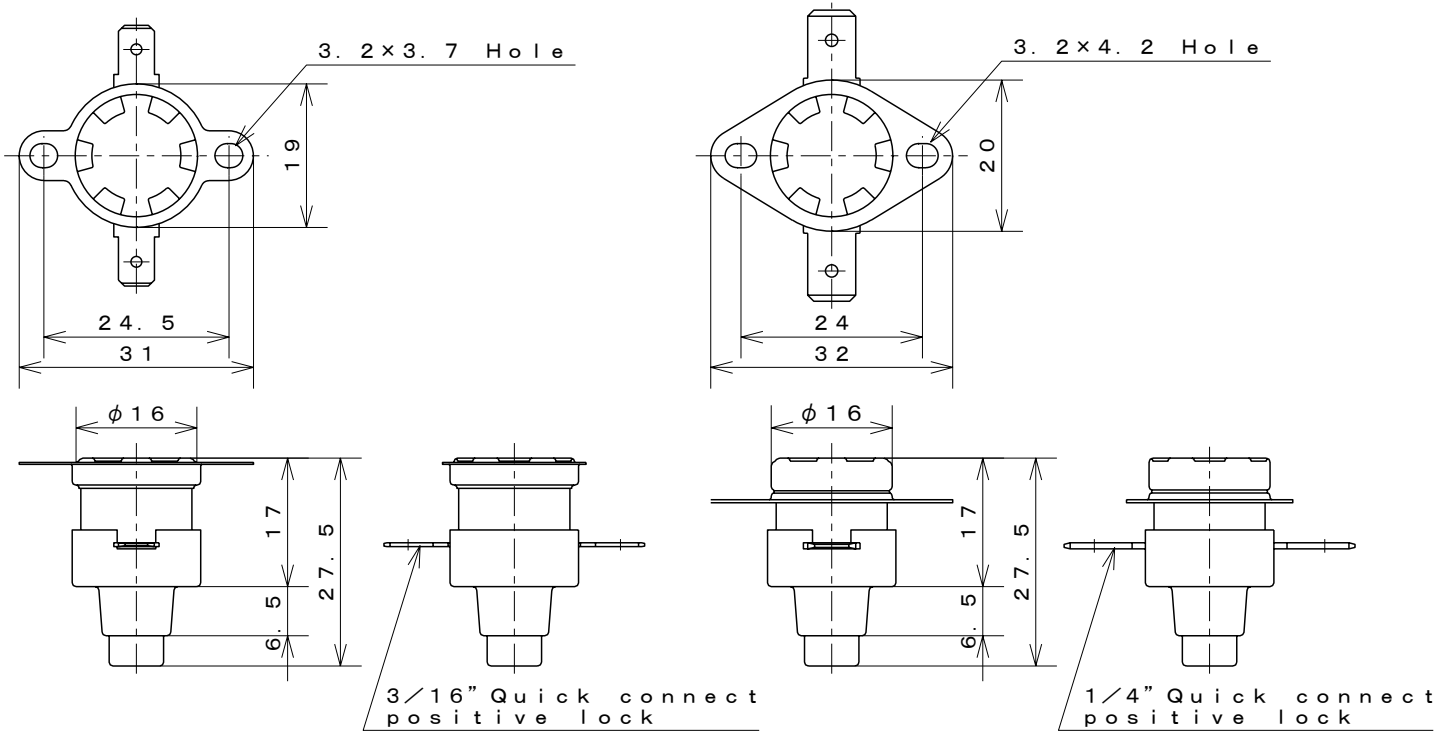


1/2" Disc Type Thermostat
Manual Reset

Type **23EP**

VDE
Recognized

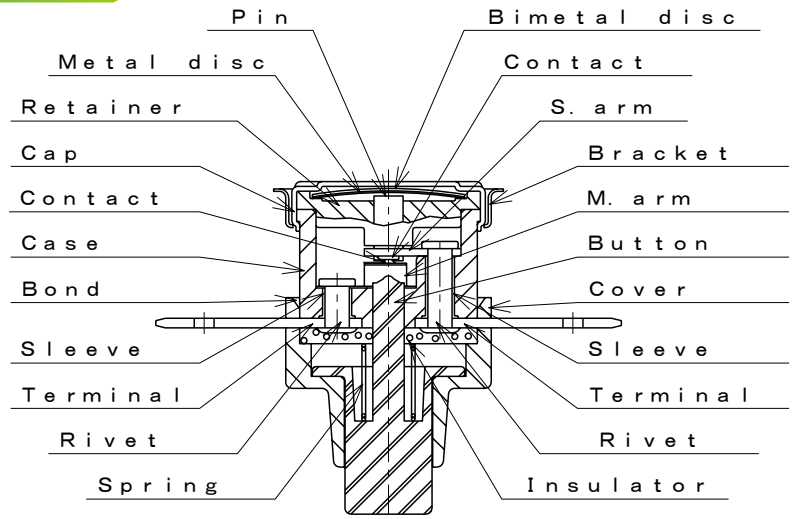
Dimensions



Materials of parts

| Part | Material |
|-----------|---------------------------------------|
| Cap | Aluminum Copper Stainless steel |
| Case | Phenolic resin |
| M.arm | Beryllium Copper alloy |
| Terminals | Brass |
| Bracket | Stainless steel |
| Contacts | PGS-Crossbar |
| Button | Phenolic resin |

Structure



Specification

| Item | Specification |
|--------------------------|---|
| 1. Basic features | SPST Manual reset |
| 2. Operation | A : Contacts open on temperature rise Not automatic reset |
| 3. Electrical rating | AC250V/0.2A DC42V/0.2A |
| 4. Calibration method | Hot & cold air circulation system |
| 5. Temperature rating | Operating temperature Max. 150°C |
| 6. Insulation resistance | Not less than 1,000MΩ/DC500V |
| 7. Dielectric strength | Not less than AC1,500V/1min. or AC1,800V/1sec. |

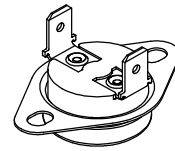
Standard

DIN EN 60730-1, -2-9 VDE Licence No. 40012267

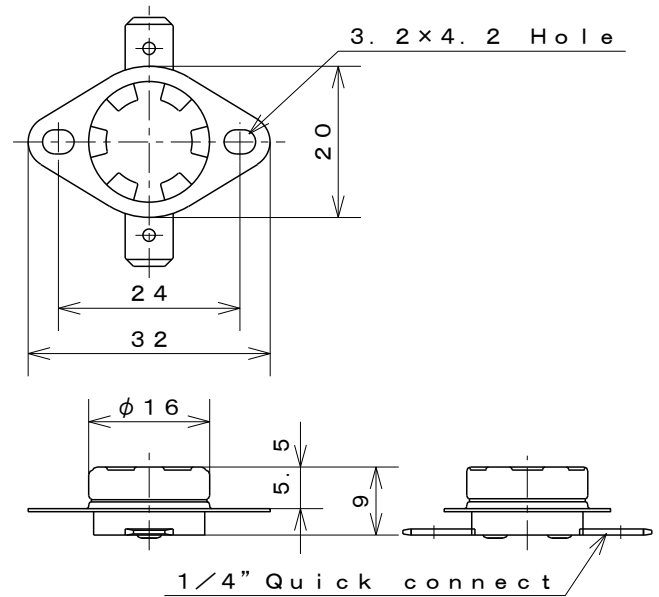
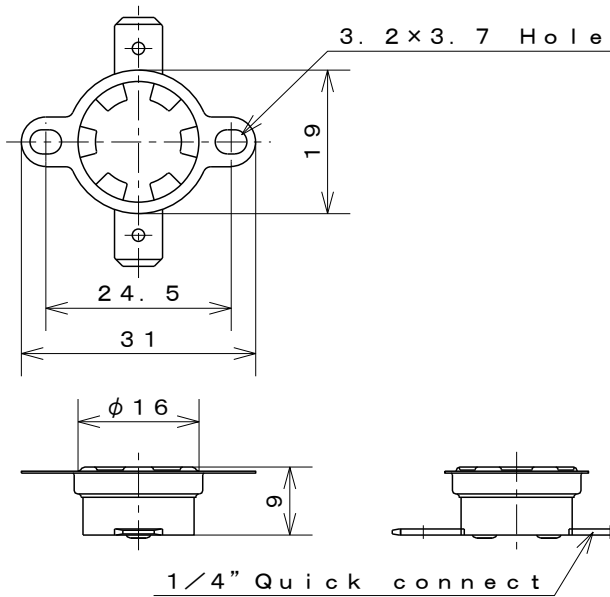


1/2" Disc Type Thermostat
Thin Type

Type **10N**



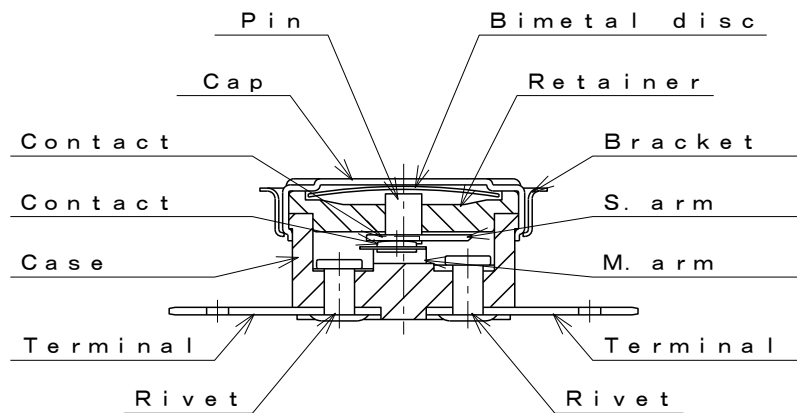
Dimensions



Materials of parts

| Part | Material |
|-----------|---------------------------------------|
| Cap | Aluminum Copper Stainless steel |
| Case | Ceramic |
| M.arm | Beryllium Copper alloy |
| Terminals | Copper alloy |
| Bracket | Stainless steel |
| Contacts | Silver-Nickel alloy |

Structure



Specification

| Item | Specification |
|--------------------------|---|
| 1. Basic features | SPST Automatic reset |
| 2. Operation | A : Contacts open on temperature rise B : Contacts close on temperature rise |
| 3. Electrical rating | AC125V/15A AC250V/10A |
| 4. Calibration method | Hot & cold air circulation system |
| 5. Temperature rating | Operating temperature Max. 200°C(UL:175°C CSA:200°C) |
| 6. Insulation resistance | Not less than 1,000MΩ/DC500V |
| 7. Dielectric strength | Not less than AC1,500V/1min. or AC1,800V/1sec. |

Standard

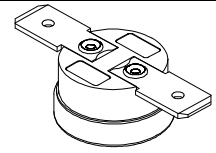
| | | |
|------------------|------------|-------------|
| UL 873 | UL File | No. E43273 |
| CSA C22.2 No. 24 | CSA Report | No. LR67165 |
| MITI (JET) | J-53 | |



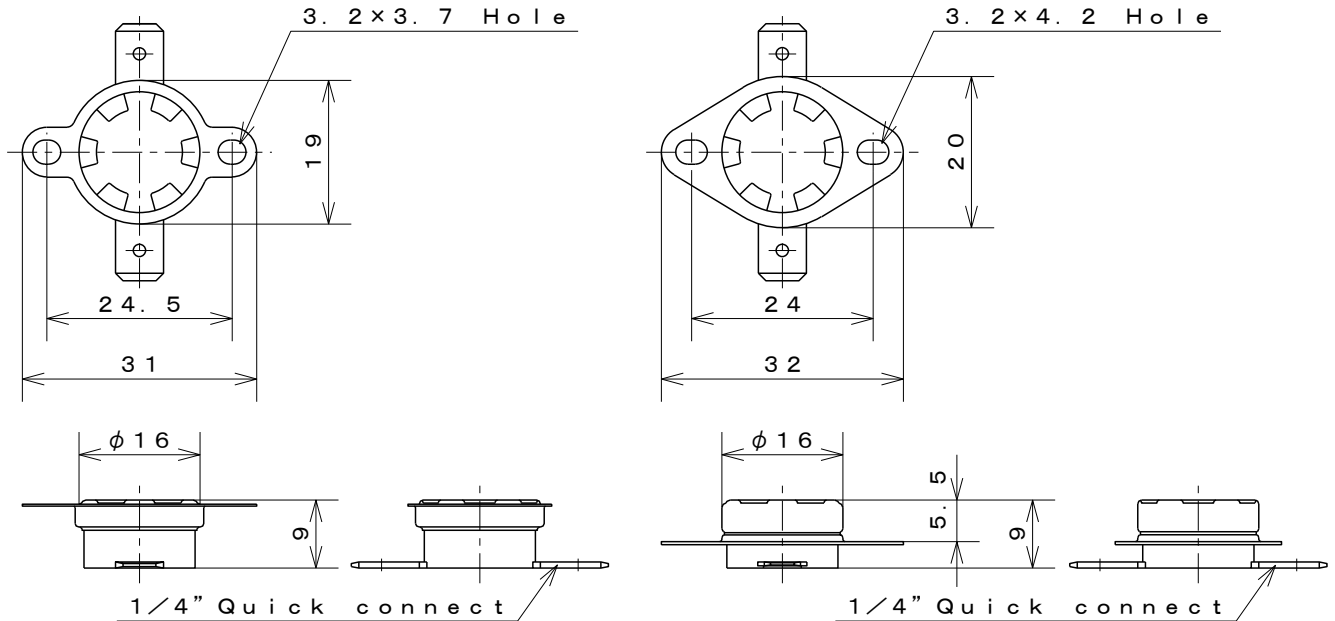


1/2" Disc Type Thermostat Thin Type

Type 11EN



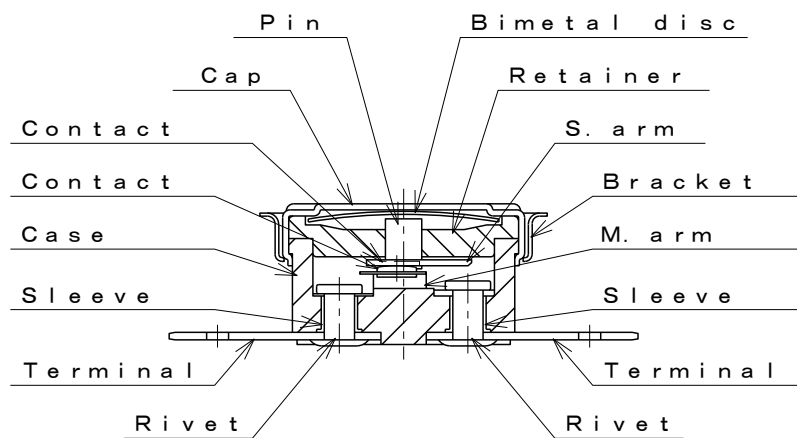
Dimensions



Materials of parts

| Part | Material |
|-----------|---------------------------------------|
| Cap | Aluminum Copper Stainless steel |
| Case | Phenolic resin |
| M.arm | Beryllium Copper alloy |
| Terminals | Brass |
| Bracket | Stainless steel |
| Contacts | Silver-Nickel alloy |

Structure



Specification

| Item | Specification |
|--------------------------|---|
| 1. Basic features | SPST Automatic reset |
| 2. Operation | A : Contacts open on temperature rise B : Contacts close on temperature rise |
| 3. Electrical rating | AC125V/15A AC250V/10A |
| 4. Calibration method | Hot & cold air circulation system |
| 5. Temperature rating | Operating temperature Max. 150°C |
| 6. Insulation resistance | Not less than 1,000MΩ/DC500V |
| 7. Dielectric strength | Not less than AC1,500V/1min. or AC1,800V/1sec. |

Standard

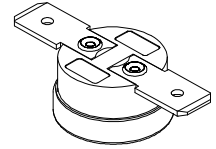
| | | |
|----------------------|-------------|--------------|
| UL 873 | UL File | No. E43273 |
| CSA C22.2 No. 24 | CSA Report | No. LR67165 |
| DIN EN 60730-1, -2-9 | VDE Licence | No. 40004286 |



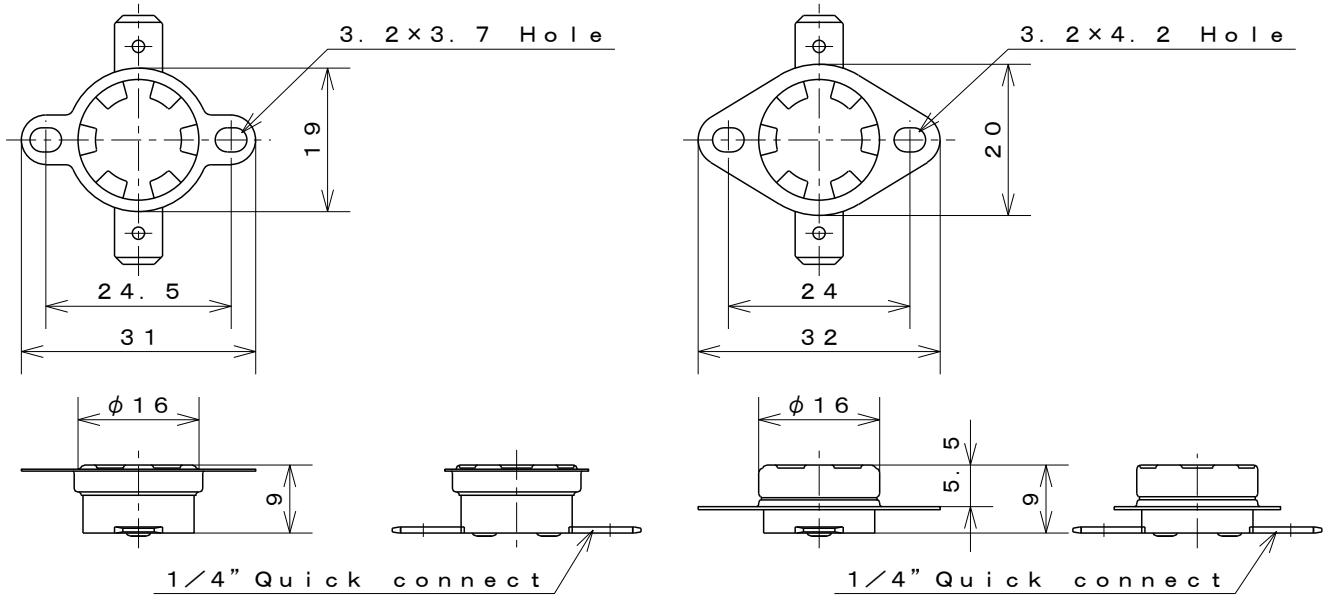


1/2" Disc Type Thermostat
Thin Type

Type **11ES**



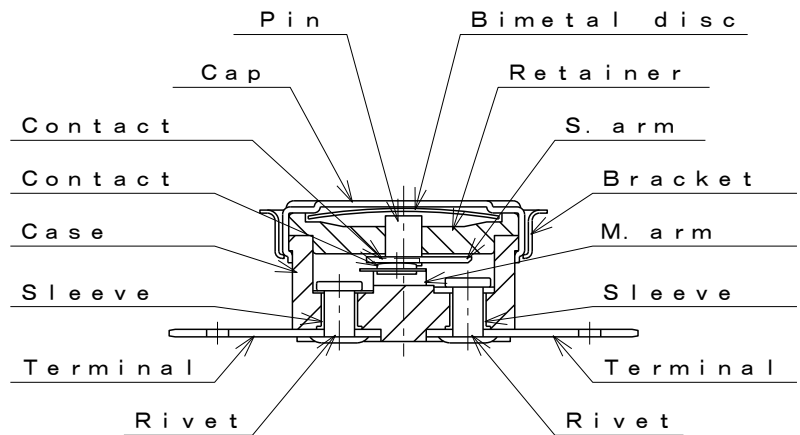
Dimensions



Materials of parts

| Part | Material |
|-----------|------------------------|
| Cap | Aluminum |
| | Copper |
| | Stainless steel |
| Case | Phenolic resin |
| M.arm | Beryllium Copper alloy |
| Terminals | Brass |
| Bracket | Stainless steel |
| Contacts | Silver-Nickel alloy |

Structure



Specification

| Item | Specification |
|--------------------------|---|
| 1. Basic features | SPST Automatic reset |
| 2. Operation | A : Contacts open on temperature rise B : Contacts close on temperature rise |
| 3. Electrical rating | AC125V/6A AC250V/3A |
| 4. Calibration method | Hot & cold air circulation system |
| 5. Temperature rating | Operating temperature Max. 150°C |
| 6. Insulation resistance | Not less than 1,000MΩ/DC500V |
| 7. Dielectric strength | Not less than AC1,500V/1 min. or AC1,800V/1 sec. |

Standard

| | | |
|----------------------|-------------|--------------|
| UL 873 | UL File | No. E43273 |
| CSA C22.2 No. 24 | CSA Report | No. LR67165 |
| DIN EN 60730-1, -2-9 | VDE Licence | No. 40004286 |

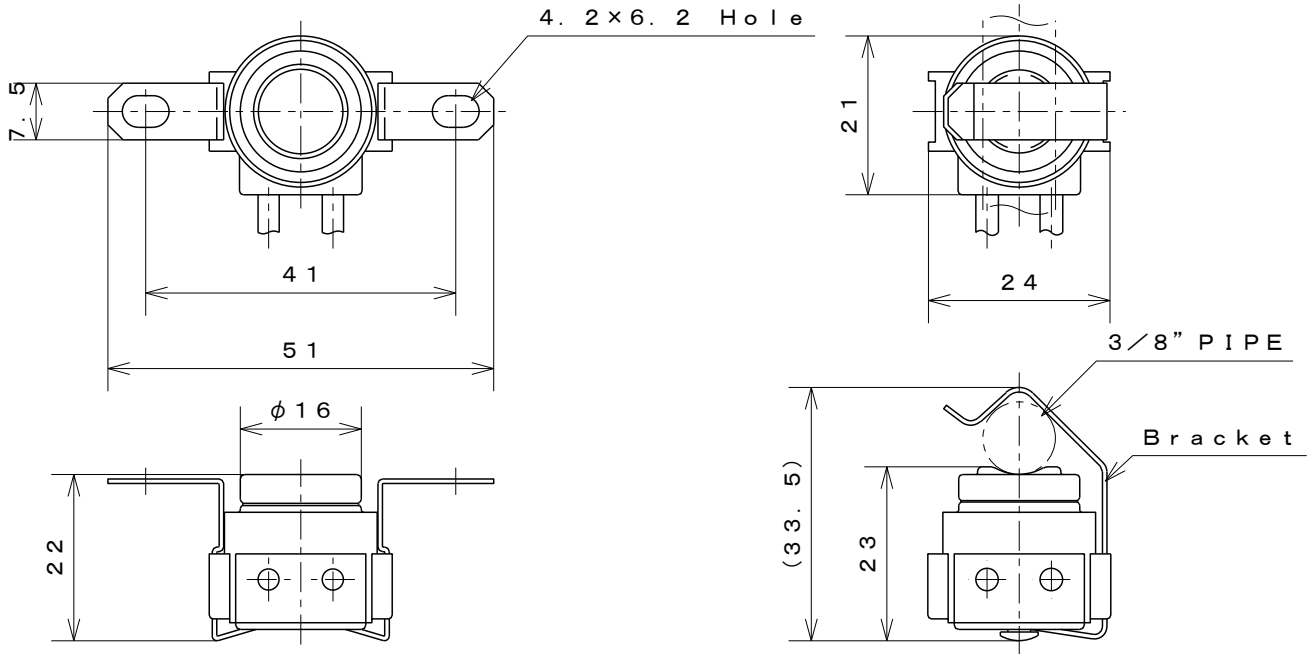




1/2" Disc Type Thermostat
Water Proof Type

Type **12E□** for Europe

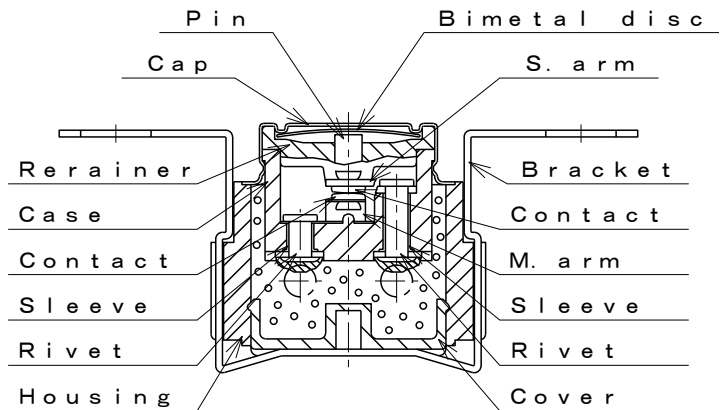
Dimensions



Materials of parts

| Part | Material |
|----------|--|
| Cap | Copper Stainless steel |
| Case | Phenolic resin |
| Husing | Polycarbonate |
| Bracket | Stainless steel |
| Fulling | Polyurethane |
| Leads | PVC 1.25mm ² |
| Contacts | Silver-Nickel alloy (N) Silver (C) PGS-Crossbar (X, P) |

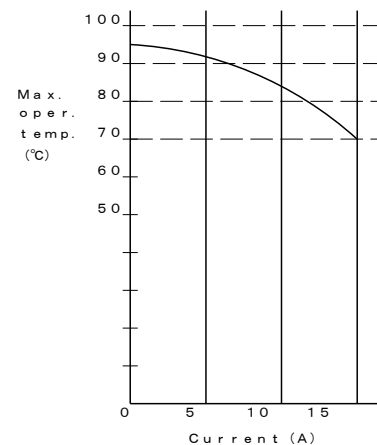
Structure



Specification

| Item | Specification |
|--|--|
| 1. Basic features | SPST Automatic reset |
| 2. Operation | L : Contacts open on temp. rise F : Contacts close on temp. rise |
| 3. Electrical rating by variation of contacts | N : AC125V/15A AC250V/ 8A C : AC125V/ 6A AC250V/ 3A X : AC125V/ 1A DC30V/ 1A P : AC125V/0.2A DC30V/0.2A |
| 4. Calibration method | Hot & cold air or liquid circulation system |
| 5. Insulation resistance | Not less than 1,000MΩ/DC500V |
| 6. Dielectric strength | Not less than AC1,500V/1 min. or AC1,800V/1sec. |
| 7. Resistance between Lead (at Lead is 1 meter) | N,C : Not more than 100mΩ X,P : Not more than 50mΩ |

Relation of current & Max. operating temp.



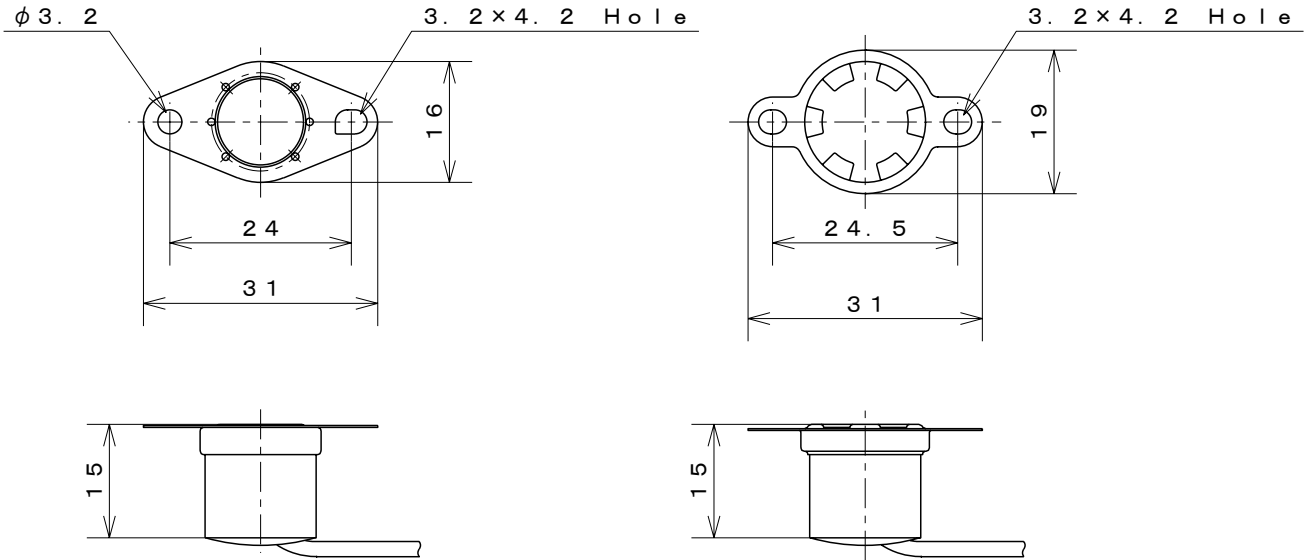


1/2" Disc Type Thermostat
Drip-proof Type. Automatic Reset

Type **20N**

UL-C-UR
Recognized

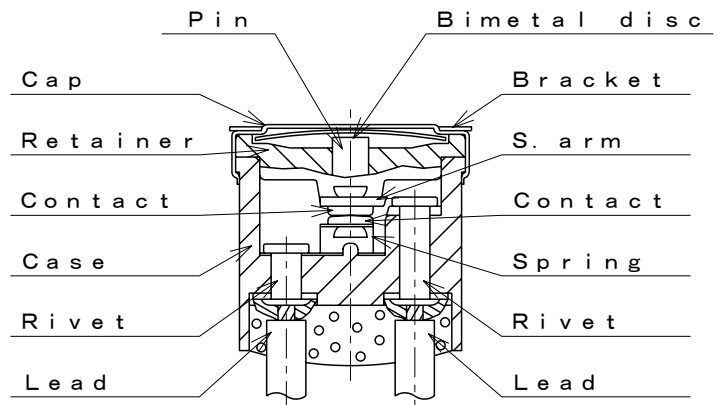
Dimensions



Materials of parts

| Part | Material |
|----------|---------------------------------------|
| Cap | Aluminum Copper Stainless steel |
| Case | Phenolic resin |
| M.arm | Beryllium Copper alloy |
| Leads | UL1430 etc |
| Bracket | Stainless steel |
| Contacts | Silver-Nickel alloy |

Structure



Specification

| Item | Specification |
|--------------------------|---|
| 1. Basic features | SPST Automatic reset |
| 2. Operation | A : Contacts open on temperature rise B : Contacts close on temperature rise |
| 3. Electrical rating | AC120V/15A AC240V/10A |
| 4. Calibration method | Hot & cold air circulation system |
| 5. Temperature rating | Operating temperature Max. 80°C |
| 6. Insulation resistance | Not less than 1,000MΩ/DC500V |
| 7. Dielectric strength | Not less than AC1,500V/1min. or AC1,800V/1sec. |

Standard

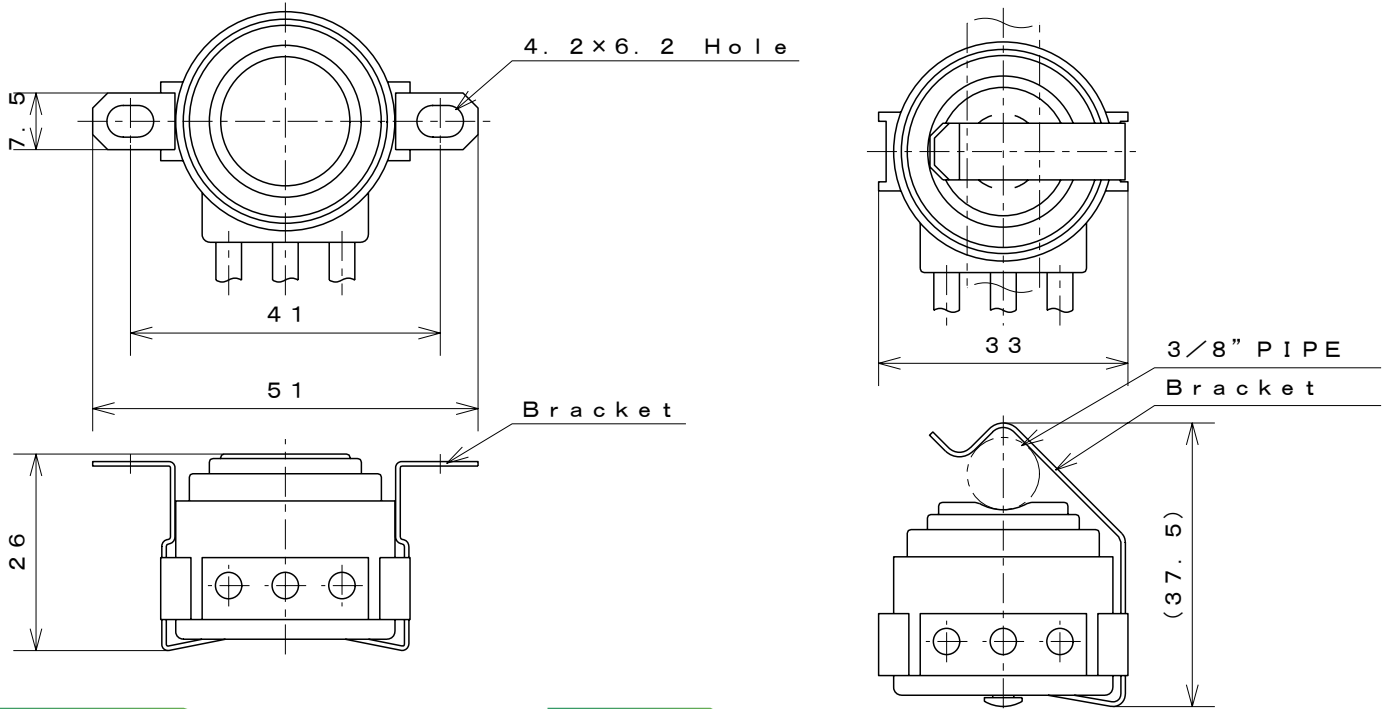
UL 873, C-UR UL File No. E43273



3/4" Disc Type Thermostat
Water-proof Type Automatic Reset

Type **30** Series

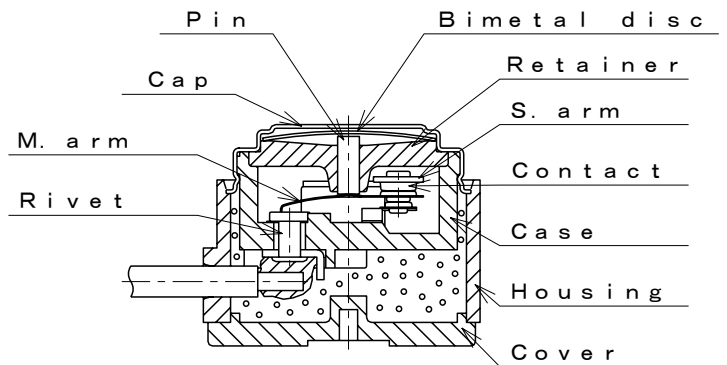
Dimensions



Materials of parts

| Part | Material |
|----------|--|
| Cap | Copper Stainless steel |
| Case | Phenolic resin |
| Housing | Polycarbonate |
| Bracket | Stainless steel |
| Fulling | Polyurethane |
| Leads | PVC |
| Contacts | Silver-Nickel alloy (36,37) Silver (38) |

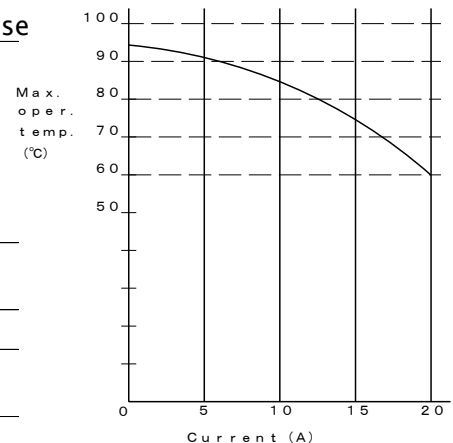
Structure



Specification

| Item | Specification |
|--|---|
| 1. Basic features | SPDT Automatic reset |
| 2. Operation | L : Contacts open on temperature rise F : Contacts close on temperature rise |
| 3. Electrical rating | 36 :C-A AC125V/20A AC250V/15A :C-B AC125V/10A AC250V/ 8A 37 :C-A AC125V/20A AC250V/15A :C-B AC125V/ 3A AC250V/ 3A 38 :C-A AC125V/ 3A AC250V/ 3A :C-B AC125V/ 3A AC250V/ 3A |
| 4. Calibration method | Hot & cold air or liquid circulation system |
| 5. Insulation resistance | Not less than 1,000MΩ/DC500V |
| 6. Dielectric strength | Not less than AC1,500V/1min. or AC1,800V/1sec. |
| 7. Resistance between Lead (at lead is 1m) | Not more than 100mΩ |

Relation of current & Max. operation temp.

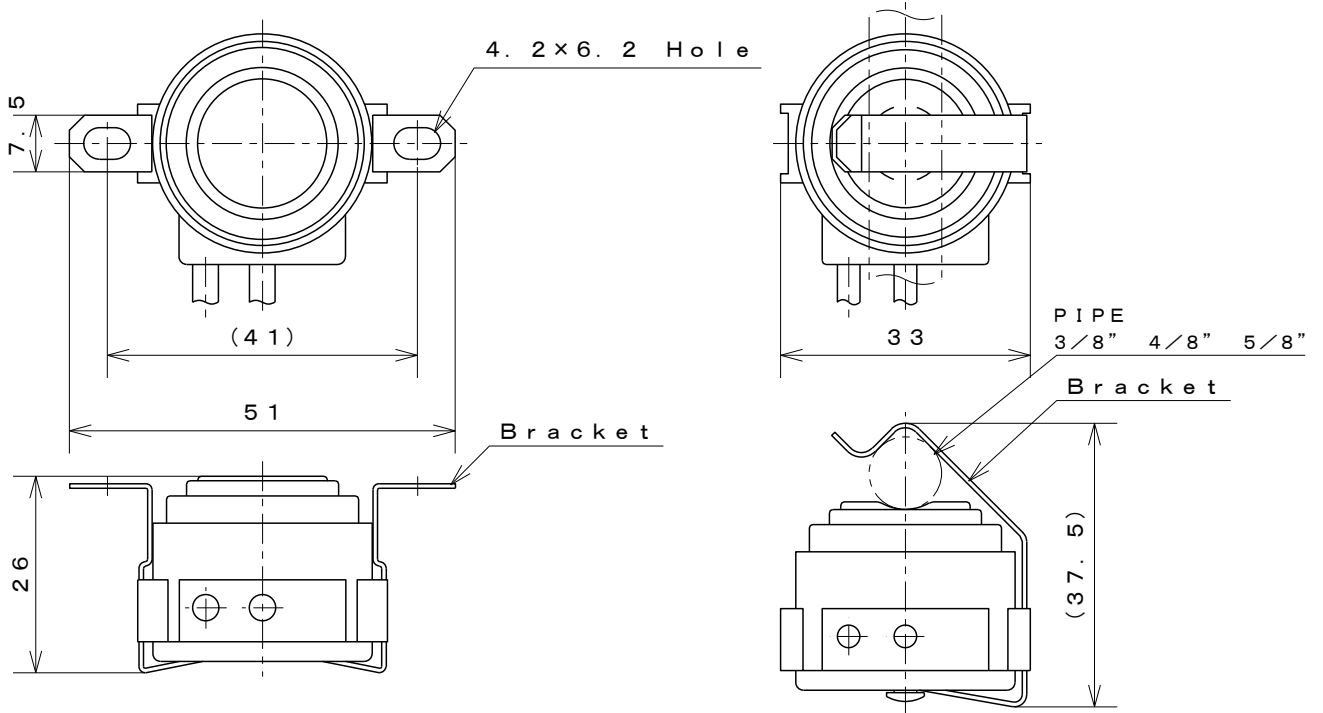




3/4" Disc Type Thermostat
Water-proof Type Automatic Reset

Type **46**

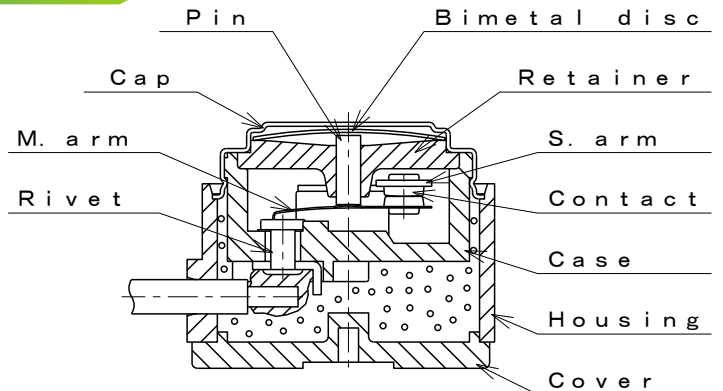
Dimensions



Materials of parts

| Part | Material |
|----------|---------------------------|
| Cap | Copper Stainless steel |
| Case | Phenolic resin |
| Housing | Polycarbonate |
| Bracket | Stainless steel |
| Fulling | Polyurethane |
| Leads | PVC |
| Contacts | Silver-Nickel alloy |

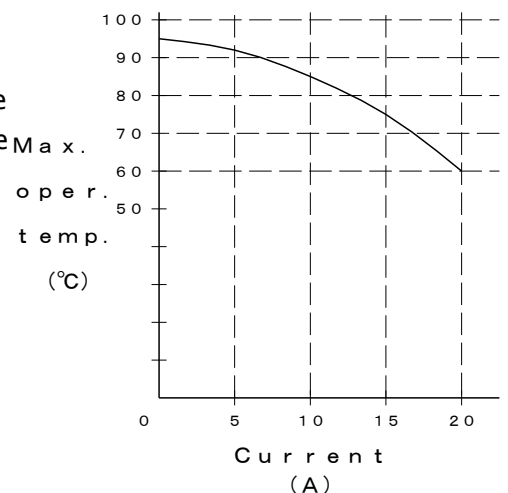
Structure



Specification

| Item | Specification |
|--|---|
| 1. Basic features | SPST Automatic reset |
| 2. Operation | L : Contacts open on temperature rise F : Contacts close on temperature rise |
| 3. Electrical rating | AC125V/20A AC250V/15A |
| 4. Calibration method | Hot & cold air or liquid circulation system |
| 5. Insulation resistance | Not less than 1,000MΩ/DC500V |
| 6. Dielectric strength | Not less than AC1,500V/1min. or AC1,800V/1sec. |
| 7. Resistance between Lead (at lead is 1m) | Not more than 100mΩ |

Relation of current & Max. operation temp.

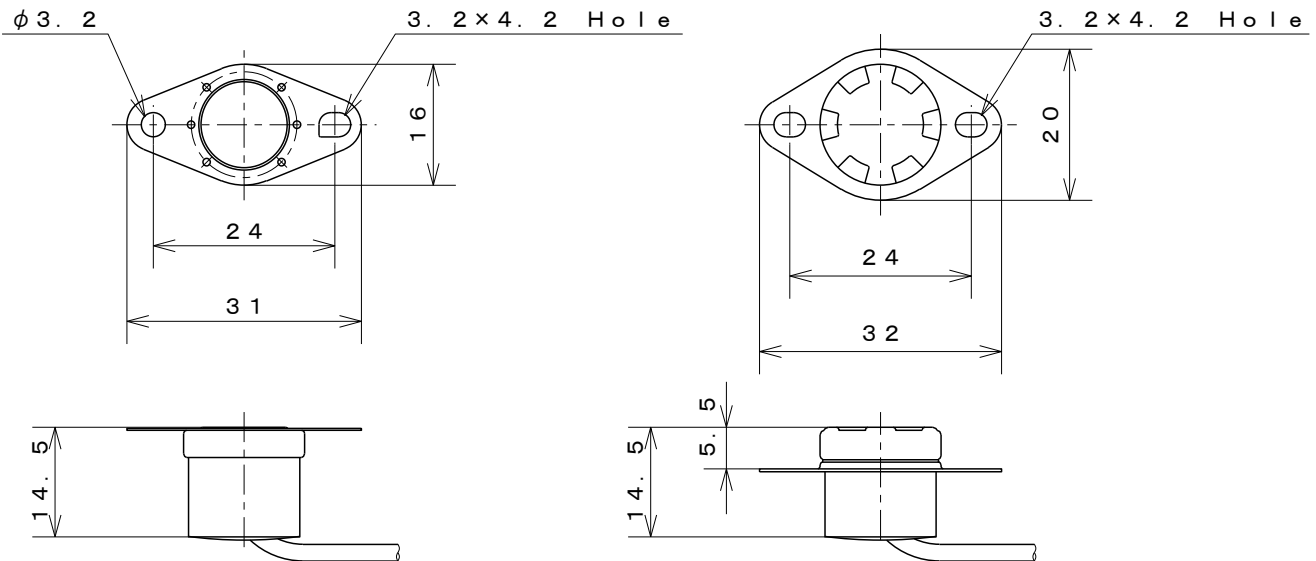




1/2" Disc Type Thermostat
 Splash-proof Type Automatic Reset

Type **60EN**

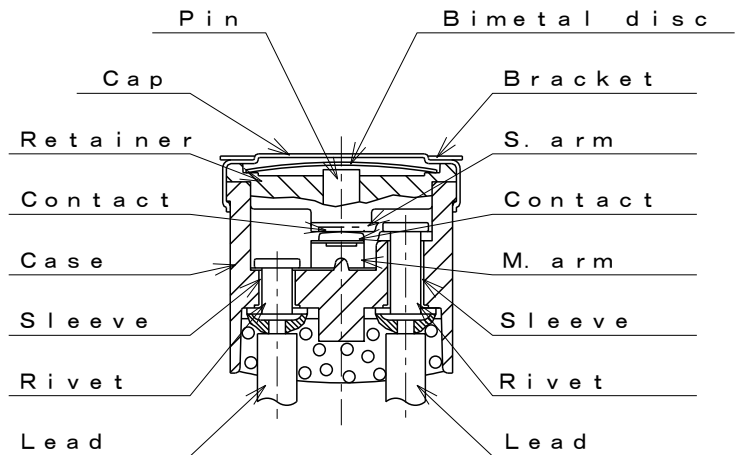
Dimensions



Materials of parts

| Part | Material |
|----------|---------------------------------------|
| Cap | Aluminum Copper Stainless steel |
| Case | Phenolic resin |
| Spring | Beryllium Copper alloy |
| Leads | PVC etc |
| Bracket | Stainless steel |
| Contacts | Silver-Nickel alloy |

Structure



Specification

| Item | Specification |
|--------------------------|---|
| 1. Basic features | SPST Automatic reset |
| 2. Operation | A : Contacts open on temperature rise B : Contacts close on temperature rise |
| 3. Electrical rating | AC125V/15A AC250V/10A (at 1.25mm ² lead wire) 1,000 cycles |
| 4. Calibration method | Hot & cold air circulation system |
| 5. Temperature rating | Operating temperature Max. 80°C (100°C) |
| 6. Insulation resistance | 1,000MΩ or more / DC500V |
| 7. Dielectric strength | AC1,500V/1min. or AC1,800V/1sec. |

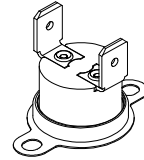
Standard



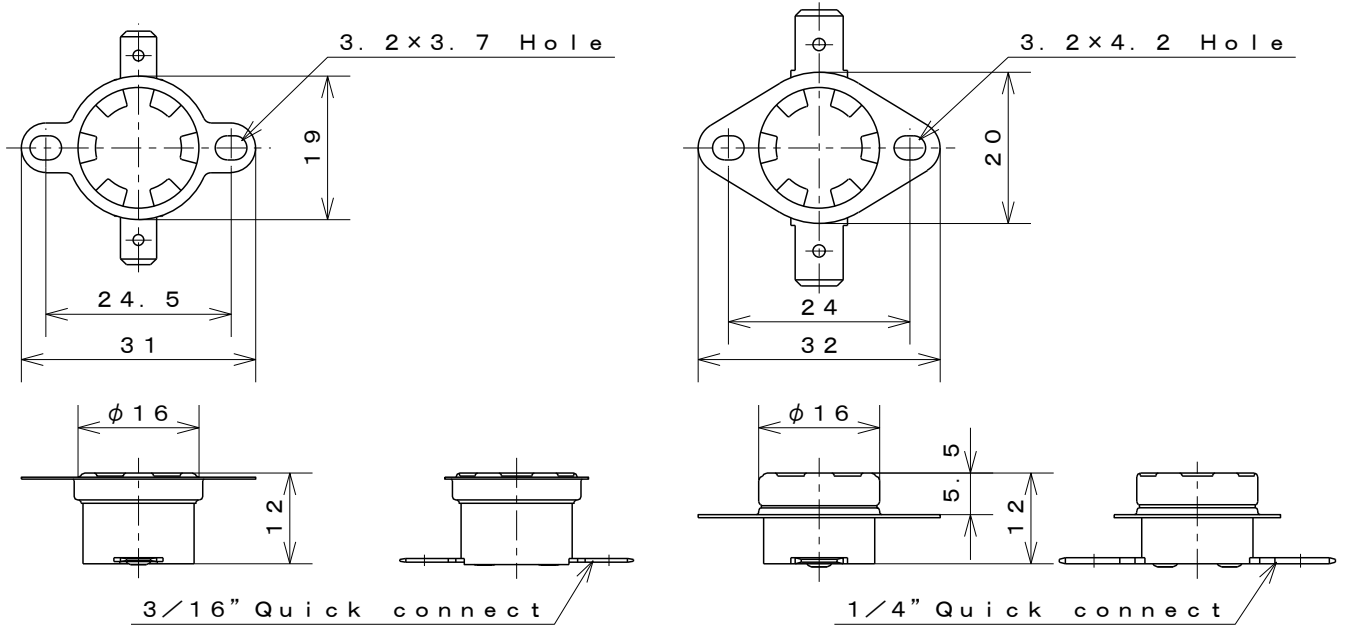


Single Operation Device
Very High Temp. Type

Type **51N**



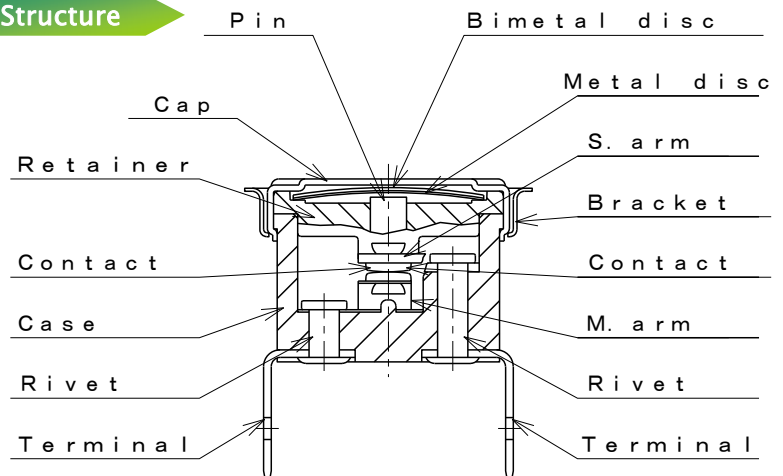
Dimensions



Materials of parts

| Part | Material |
|-----------|------------------------|
| Cap | Aluminum |
| | Copper |
| | Stainless steel |
| Case | Ceramic |
| M.arm | Beryllium Copper alloy |
| Terminals | Brass, Steel |
| Bracket | Stainless steel |
| Contacts | Silver-Nickel alloy |

Structure



Specification

| Item | Specification |
|--------------------------|--|
| 1. Basic features | SPST Single Operation Device |
| 2. Operation | A : Contacts open on temperature rise |
| 3. Electrical rating | AC250V/16A |
| 4. Calibration method | Hot & cold air circulation system |
| 5. Temperature rating | Operating temperature Max. 270°C No Resetting |
| 6. Insulation resistance | Not less than 1,000MΩ/DC500V |
| 7. Dielectric strength | Not less than AC1,500V/1min. or AC1,800V/1sec. |

Standard

UL 60730-1A, -2-9 File No.E201152 C-UR(CAN/CSA-E730-1, -2-9)
DIN EN 60730-1, -2-9 VDE File No.40022774



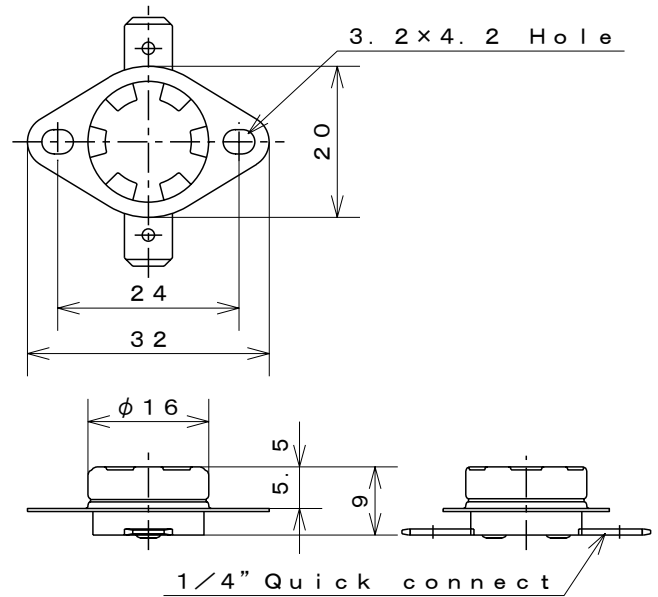
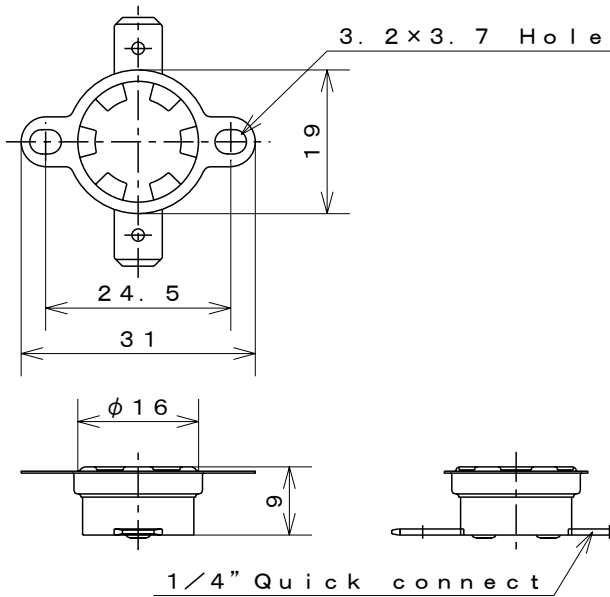


Single Operation Device
Low Profile

Type **80N**

UL·CSA·VDE
Recognized

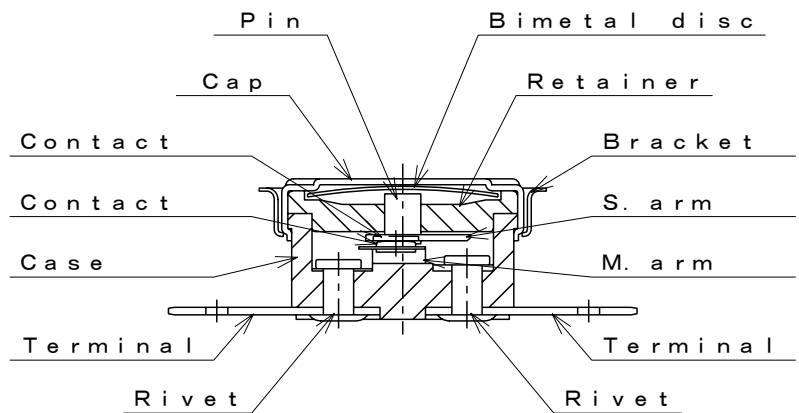
Dimensions



Materials of parts

| Part | Material |
|-----------|---------------------------------------|
| Cap | Aluminum Copper Stainless steel |
| Case | Ceramic |
| M.arm | Beryllium Copper alloy |
| Terminals | Brass, Steel |
| Bracket | Stainless steel |
| Contacts | Silver-Nickel alloy |

Structure



Specification

| Item | Specification |
|--------------------------|--|
| 1. Basic features | SPST Single Operation Device |
| 2. Operation | A : Contacts open on temperature rise |
| 3. Electrical rating | AC250V/16A |
| 4. Calibration method | Hot & cold air circulation system |
| 5. Temperature rating | Operating temperature Max. 200°C Resetting Temp. less than -35°C |
| 6. Insulation resistance | Not less than 1,000MΩ/DC500V |
| 7. Dielectric strength | Not less than AC1,500V/1min. or AC1,800V/1sec. |

Standard

| | | |
|--------------------------|-------------|------------------------|
| UL 873 | UL File | No. E43273 |
| CSA CAN/CSA-E730-1, -2-9 | CSA Report | No. LR67165, LR67166 |
| DIN EN 60730-1, -2-9 | VDE Licence | No. 40012255, 40004144 |

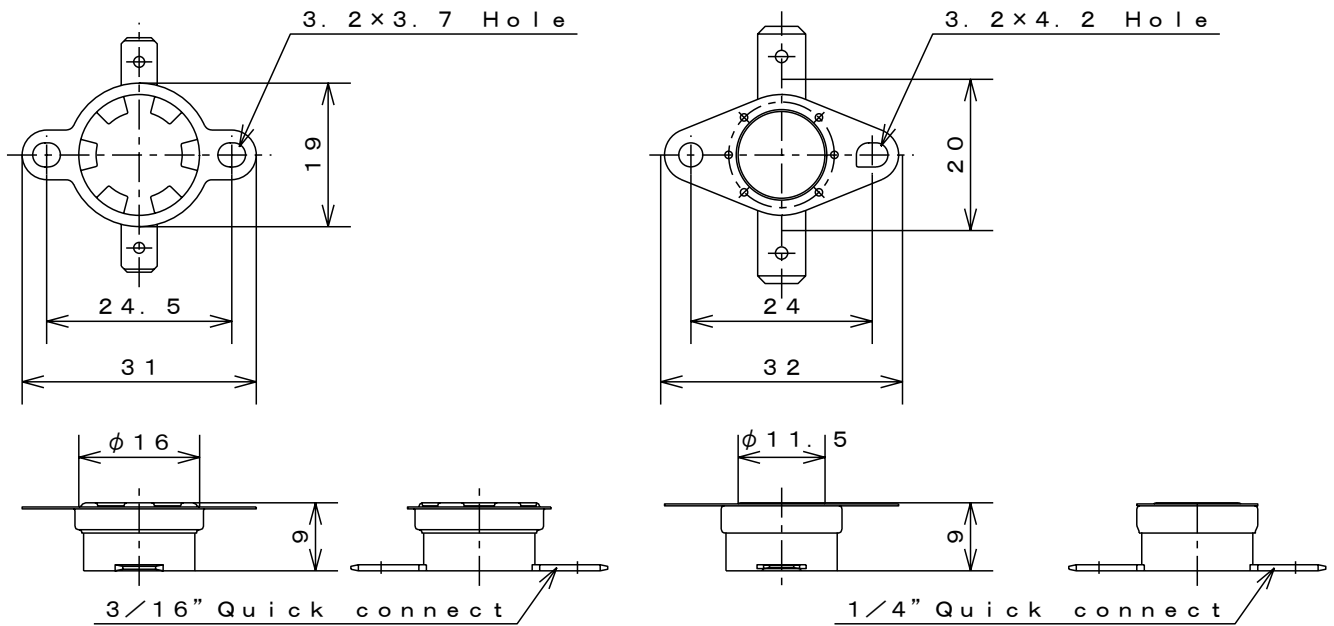


Single Operation Device
Low Profile

Type **81ES**

UL·CSA·VDE
Recognized

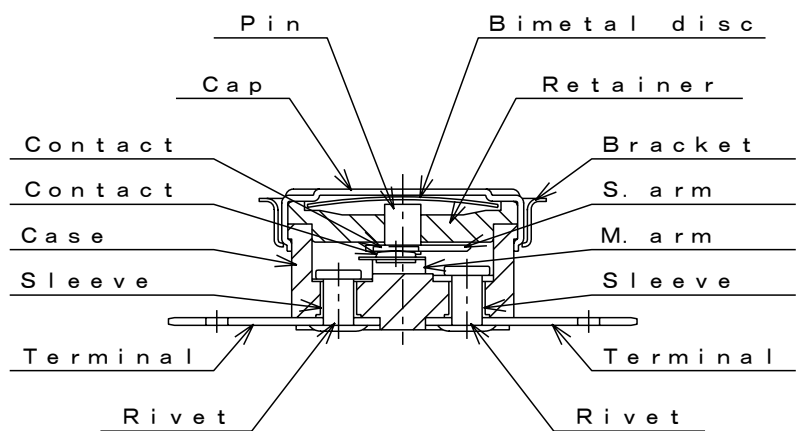
Dimensions



Materials of parts

| Part | Material |
|-----------|---------------------------------------|
| Cap | Aluminum Copper Stainless steel |
| Case | Phenolic resin |
| M.arm | Beryllium Copper alloy |
| Terminals | Brass |
| Bracket | Stainless steel |
| Contacts | Silver-Nickel alloy |

Structure



Specification

| Item | Specification |
|--------------------------|--|
| 1. Basic features | SPST Single Operation Device |
| 2. Operation | A : Contacts open on temperature rise |
| 3. Electrical rating | AC250V/10A |
| 4. Calibration method | Hot & cold air circulation system |
| 5. Temperature rating | Operating temperature Max. 150°C Resetting Temp. less than -35°C |
| 6. Insulation resistance | Not less than 1,000MΩ/DC500V |
| 7. Dielectric strength | Not less than AC1,500V/1min. or AC1,800V/1sec. |

Standard

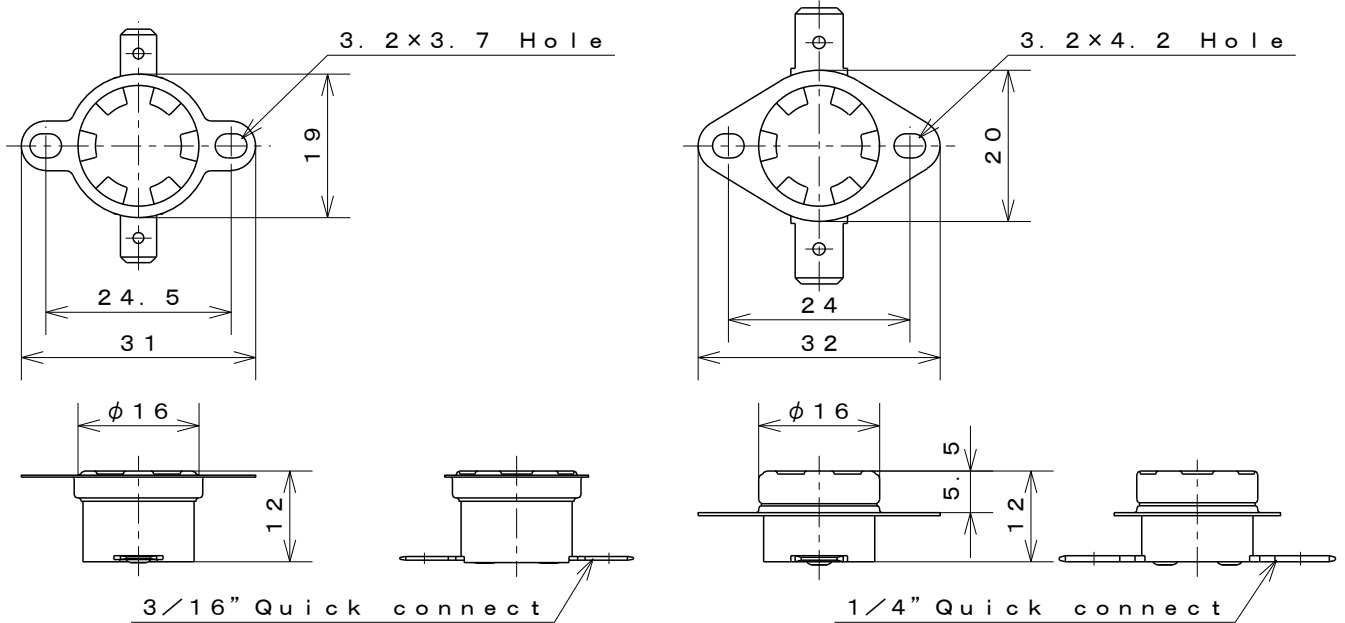
| | | |
|--------------------------|-------------|------------------------|
| UL 8730-1, -2-9 | UL File | No. E201152 |
| CSA CAN/CSA-E730-1, -2-9 | CSA Report | No. LR67165, LR67166 |
| DIN EN 60730-1, -2-9 | VDE Licence | No. 40012255, 40004144 |



Single Operation Device
High Temp. Type

Type **82N**

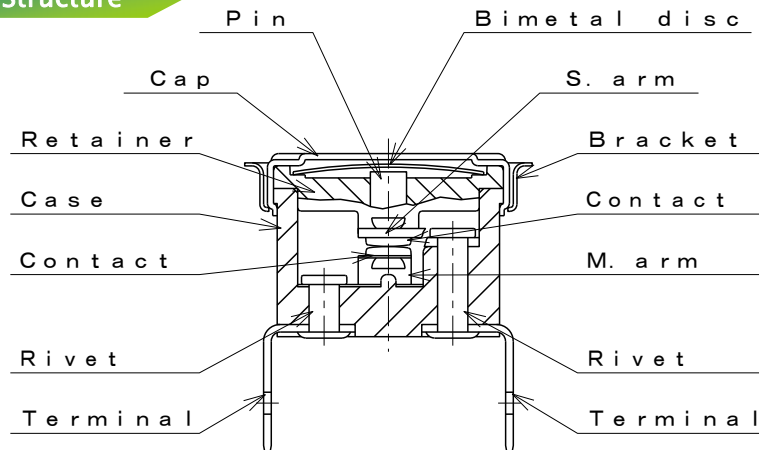
Dimensions



Materials of parts

| Part | Material |
|-----------|------------------------|
| Cap | Aluminum |
| | Copper |
| | Stainless steel |
| Case | Ceramic |
| M.arm | Beryllium Copper alloy |
| Terminals | Brass, Steel |
| Bracket | Stainless steel |
| Contacts | Silver-Nickel alloy |

Structure



Specification

| Item | Specification |
|--------------------------|--|
| 1. Basic features | SPST Single Operation Device |
| 2. Operation | A : Contacts open on temperature rise |
| 3. Electrical rating | AC250V/16A |
| 4. Calibration method | Hot & cold air circulation system |
| 5. Temperature rating | Operating temperature Max. 270°C Resetting Temp. less than -35°C |
| 6. Insulation resistance | Not less than 1,000MΩ/DC500V |
| 7. Dielectric strength | Not less than AC1,500V/1 min. or AC1,800V/1 sec. |

Standard

UL 60730-1A, -2-9 File No.E201152 C-UR(CAN/CSA-E730-1, -2-9)
DIN EN 60730-1, -2-9 VDE File No.40022774

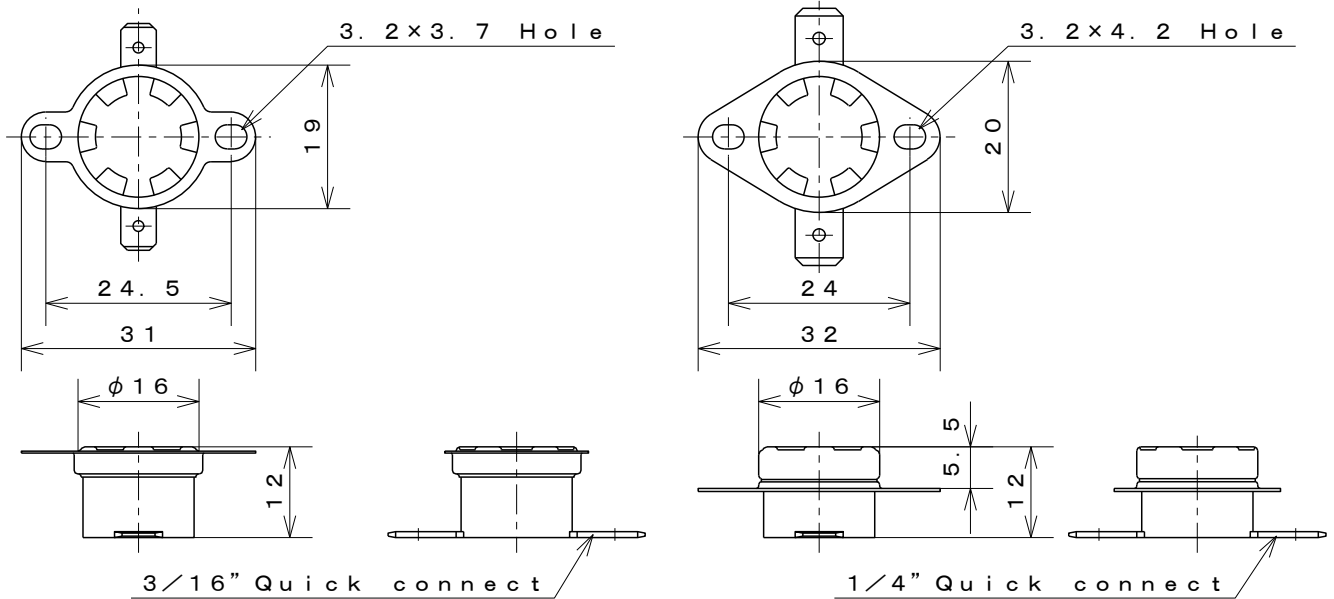




Single Operation Device

Type 83EN

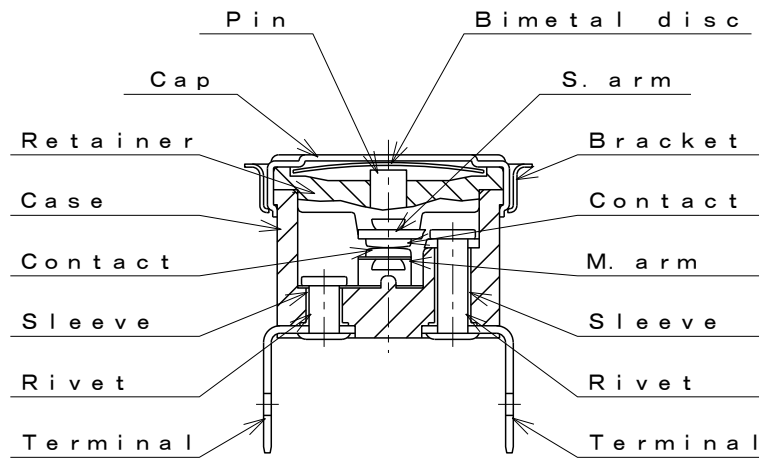
Dimensions



Materials of parts

| Part | Material |
|-----------|---------------------------------------|
| Cap | Aluminum Copper Stainless steel |
| Case | Phenolic resin |
| M.arm | Beryllium Copper alloy |
| Terminals | Brass |
| Bracket | Stainless steel |
| Contacts | Silver-Nickel alloy |

Structure



Specification

| Item | Specification |
|--------------------------|--|
| 1. Basic features | SPST Single Operation Device |
| 2. Operation | A : Contacts open on temperature rise |
| 3. Electrical rating | AC250V/16A |
| 4. Calibration method | Hot & cold air circulation system |
| 5. Temperature rating | Operating temperature Max. 150°C Resetting Temp. less than -35°C |
| 6. Insulation resistance | Not less than 1,000MΩ/DC500V |
| 7. Dielectric strength | Not less than AC1,500V/1min. or AC1,800V/1sec. |

Standard

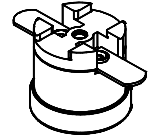
UL 60730-1A, -2-9 File No.E201152 C-UR(CAN/CSA-E730-1, -2-9)
DIN EN 60730-1, -2-9 VDE File No.40022774



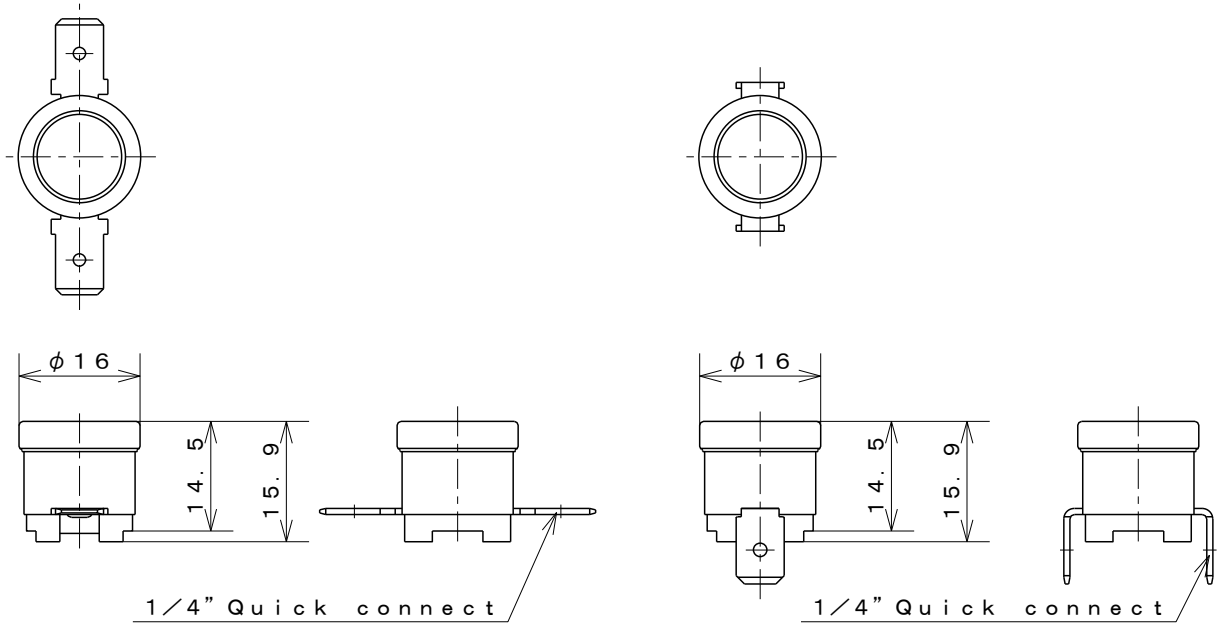


Single Operation Device
Very High Temp. Type

Type **87N**



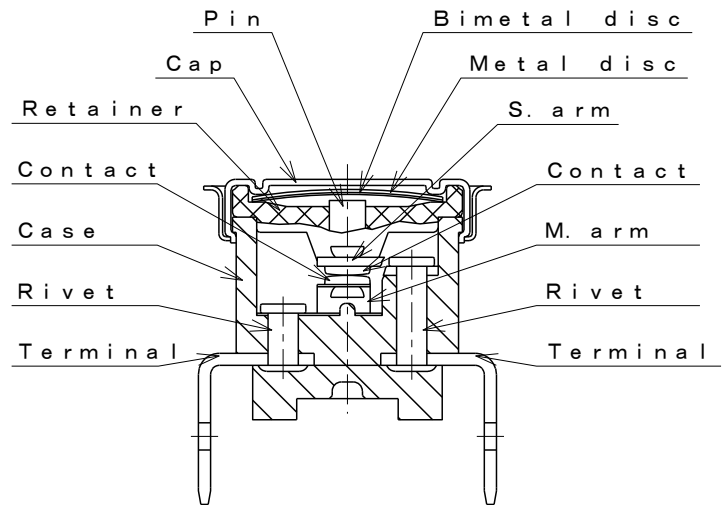
Dimensions



Materials of parts

| Part | Material |
|-----------|---------------------|
| Cap | Aluminum |
| | Copper |
| | Stainless steel |
| Case | Ceramic |
| M.arm | Beryllium alloy |
| Terminals | Brass, Steel |
| Bracket | Stainless steel |
| Contacts | Silver-Nickel alloy |

Structure



Specification

| Item | Specification |
|--------------------------|--|
| 1. Basic features | SPST Single Operation Device |
| 2. Operation | A : Contacts open on temperature rise |
| 3. Electrical rating | AC250V/16A |
| 4. Calibration method | Hot & cold air circulation system |
| 5. Temperature rating | Operating temperature Max. 270°C Non Resetting |
| 6. Insulation resistance | Not less than 1,000MΩ/DC500V |
| 7. Dielectric strength | Not less than AC1,500V/1min. or AC1,800V/1sec. |

Standard

UL 60730-1A, -2-9 File No.E201152 C-UR(CAN/CSA-E730-1, -2-9)
DIN EN 60730-1, -2-9 VDE File No.40022774

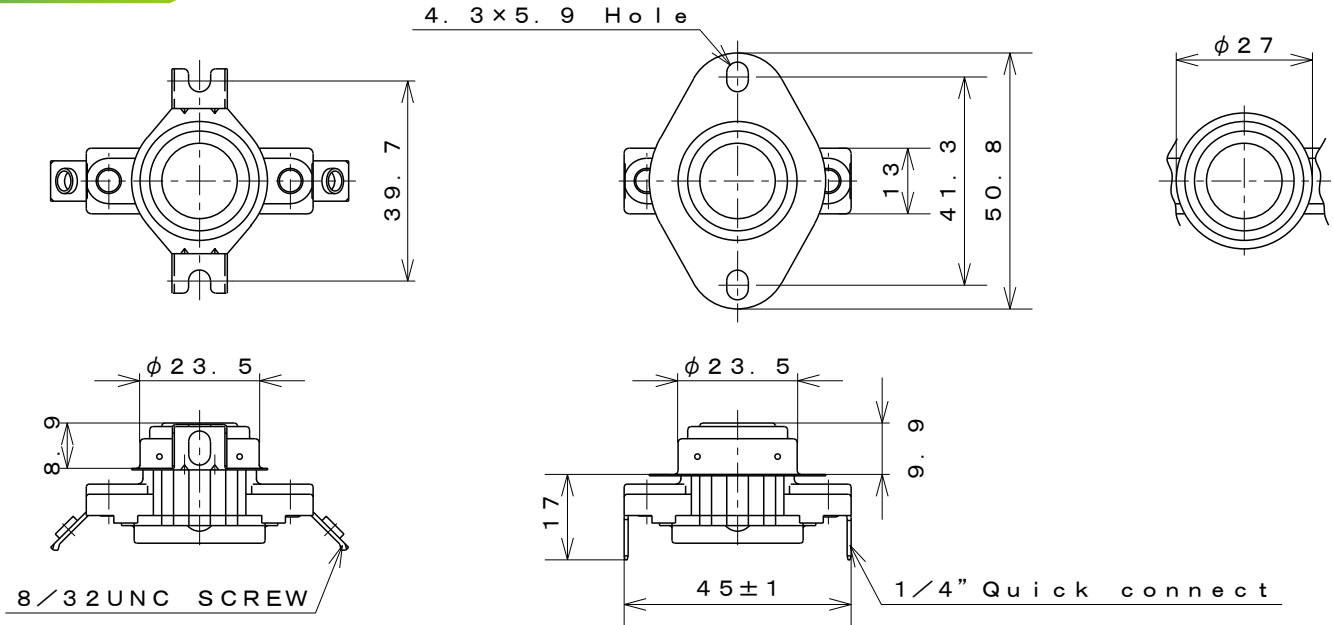




3/4" Disc Type Thermostat
Automatic Reset

Type **43** serie

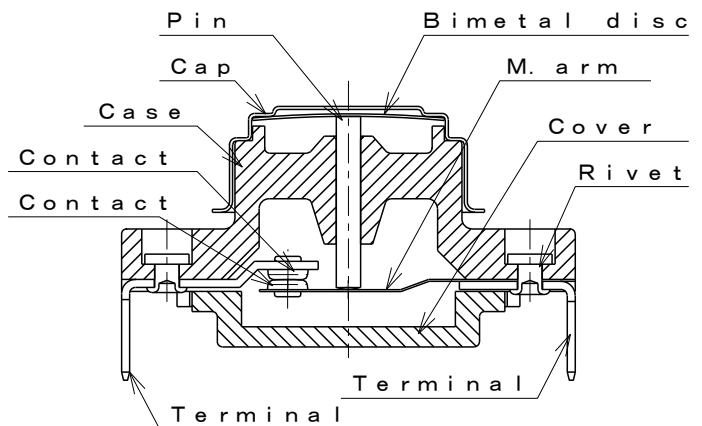
Dimensions



Materials of parts

| Part | Material |
|-------------|------------------------|
| Cap | Stainless steel |
| Case, Cover | Phenolic resin |
| M.arm | Beryllium Copper alloy |
| Terminals | Brass |
| Rivets | Steel |
| Contacts | Silver-Nickel alloy |

Structure



Specification

| Item | Specification |
|--------------------------|---|
| 1. Basic features | SPST Automatic reset |
| 2. Operation | L : Contacts open on temperature rise F : Contacts close on temperature rise |
| 3. Electrical rating | UL, C-UR : AC250V/25A, 45A AC480V/13A VDE : AC250V/25A |
| 4. Calibration method | Hot & cold air circulation system |
| 5. Temperature rating | Operating temperature Max. 150°C |
| 6. Insulation resistance | Not less than 1,000MΩ/DC500V |
| 7. Dielectric strength | Not less than AC2,000V/2sec. (AC250V) AC3,600V/2sec. (AC480V) |

Standard

UL 60730-1A, -2-9 File No.E201152 C-UR(CAN/CSA-E60730-1, -2-9)
VDE 60730-1, -2-9 File No. 40016397

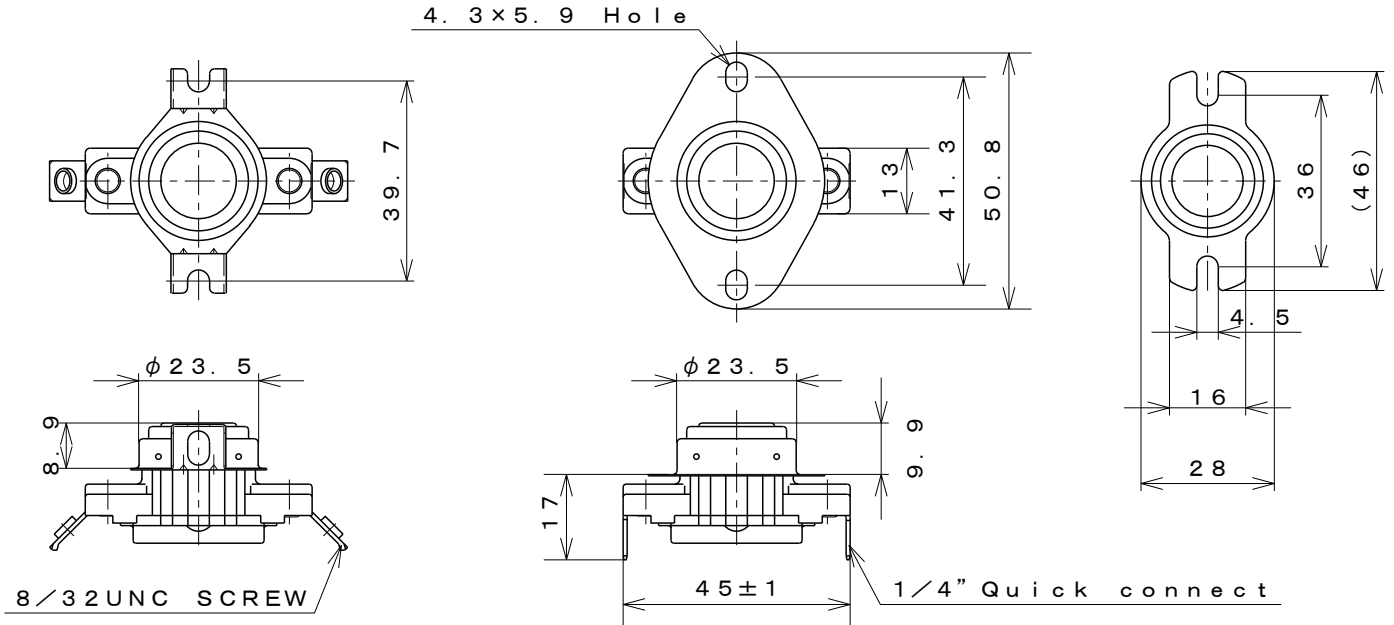




3/4" Disc Type Thermostat
Double Action (Auto/S.O.D)

Type **43D 43DL**

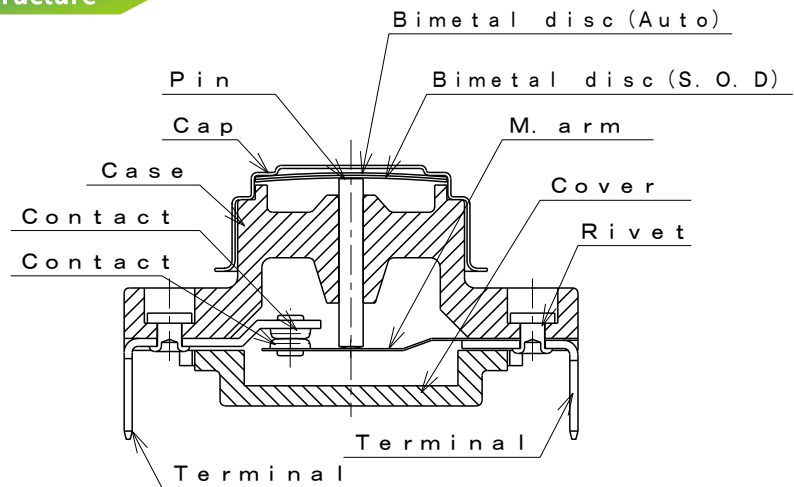
Dimensions



Materials of parts

| Part | Material |
|-------------|---|
| Cap | Stainless steel |
| Case, Cover | Phenolic resin |
| M.arm | Beryllium Copper alloy |
| Terminals | Brass |
| Rivets | Steel |
| Contacts | Silver-Nickel alloy 43D (φ4) 43DL (φ5) |

Structure



Specification

| Item | Specification |
|--------------------------|---|
| 1. Operation | L : Contacts open on temperature rise |
| 2. Electrical rating | AC250V/25A, AC250V/45A 6,000 cycles (Auto), 1 cycle (S.O.D) |
| 3. Calibration method | Hot & cold air circulation system |
| 4. Temperature rating | Operating temperature Max. 150°C |
| 5. Insulation resistance | Not less than 1,000MΩ/DC500V |
| 6. Dielectric strength | Not less than AC2,000V/2sec. |

Standard

VDE 60730-1, -2-9 (request approval)

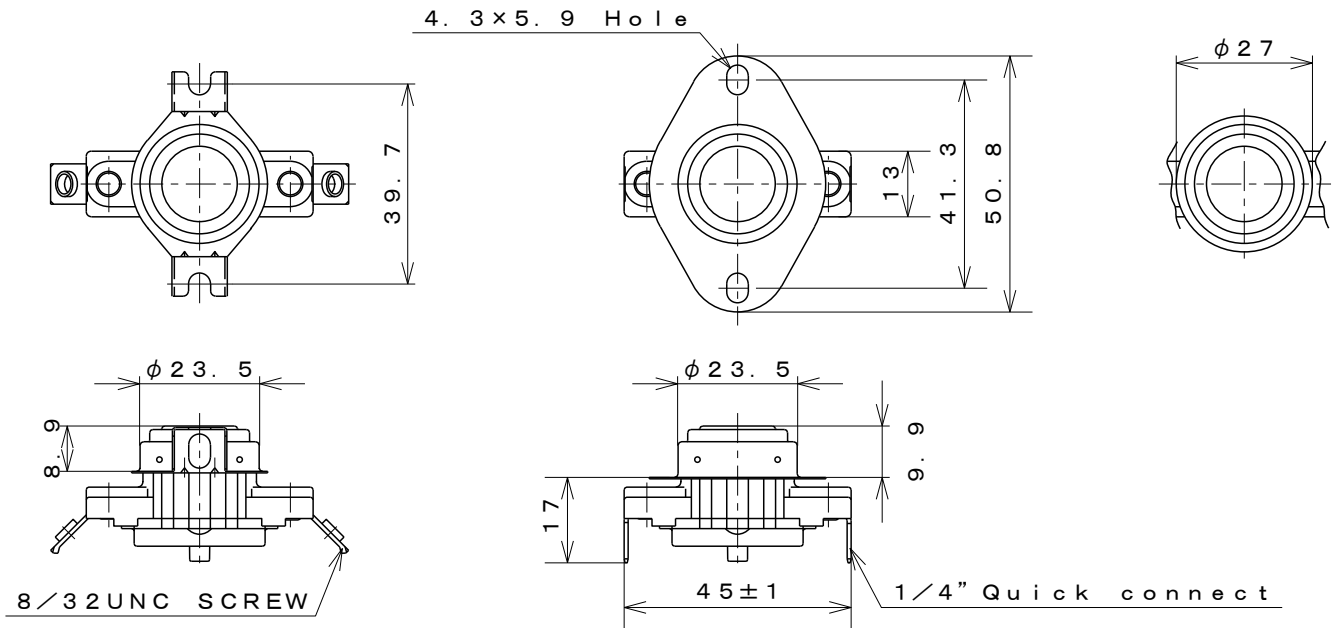




3/4" Disc Type Thermostat Manual Reset

Type 43M serie

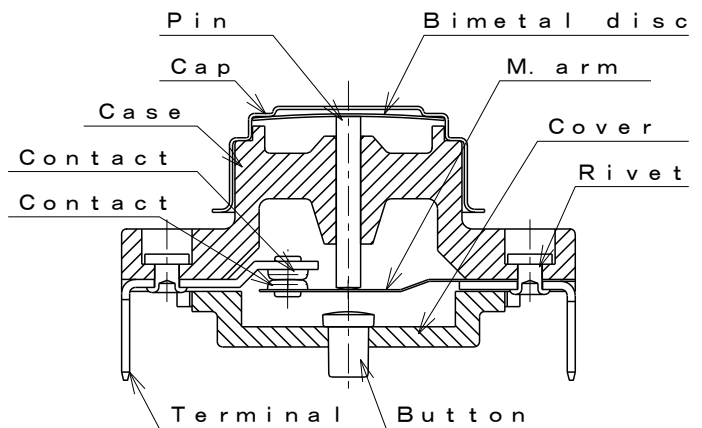
Dimensions



Materials of parts

| Part | Material |
|-------------|------------------------|
| Cap | Stainless steel |
| Case, Cover | Phenolic resin |
| M.arm | Beryllium Copper alloy |
| Terminals | Brass |
| Rivets | Steel |
| Contacts | Silver-Nickel alloy |
| Button | PPS |

Structure



Specification

| Item | Specification |
|--------------------------|---------------------------------------|
| 1. Basic features | SPST Manual reset |
| 2. Operation | L : Contacts open on temperature rise |
| 3. Electrical rating | AC250V/25A |
| 4. Calibration method | Hot & cold air circulation system |
| 5. Temperature rating | Operating temperature Max. 150°C |
| 6. Insulation resistance | Not less than 1,000MΩ/DC500V |
| 7. Dielectric strength | Not less than AC2,000V/2sec. |

Standard

UL 60730-1A, -2-9 File No.E201152 C-UR(CAN/CSA-E60730-1, -2-9)
MITI (JET) J-174

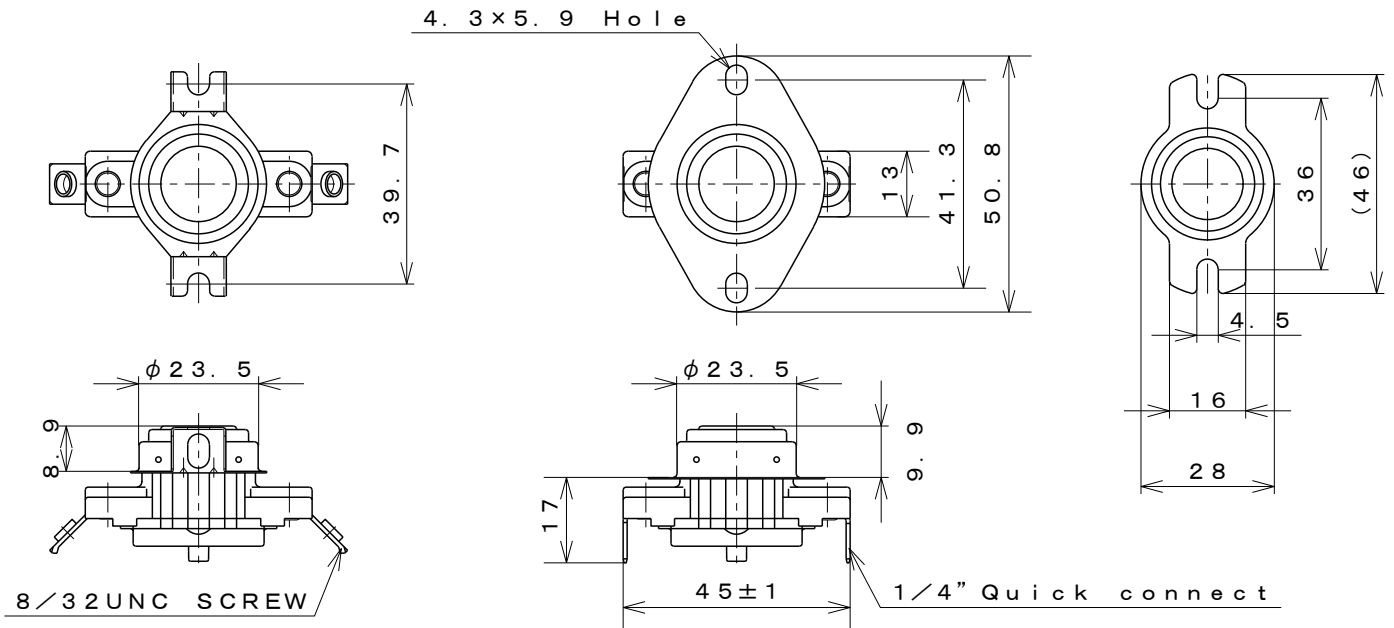




3/4" Disc Type Thermostat
Double Action (Auto/Manual)

Type **43MD 43MDL**

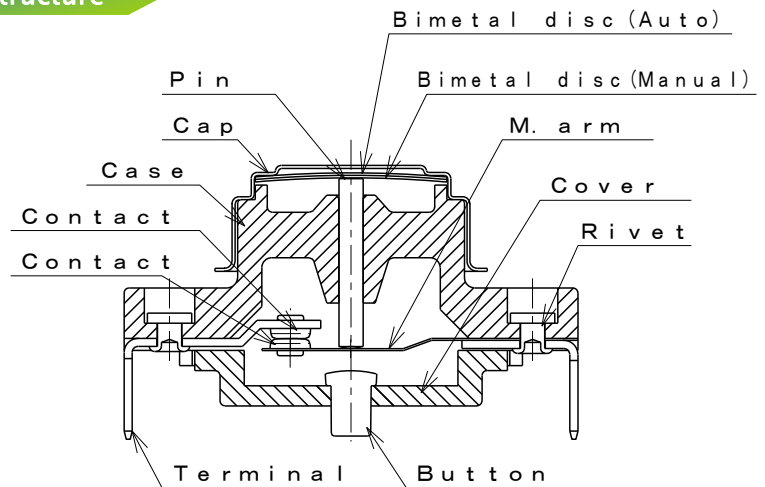
Dimensions



Materials of parts

| Part | Material |
|-------------|---|
| Cap | Stainless steel |
| Case, Cover | Phenolic resin |
| M.arm | Beryllium Copper alloy |
| Terminals | Brass |
| Rivets | Steel |
| Contacts | Silver-Nickel alloy 43MD ($\phi 4$) 43MDL ($\phi 5$) |
| Button | PPS |

Structure



Specification

| Item | Specification |
|--------------------------|---|
| 1. Basic features | SPST Manual reset |
| 2. Operation | L : Contacts open on temperature rise |
| 3. Electrical rating | AC250V/25A, AC250V/45A 100 cycles (Auto), 100 cycles (Manual) |
| 4. Calibration method | Hot & cold air circulation system |
| 5. Temperature rating | Operating temperature Max. 150°C |
| 6. Insulation resistance | Not less than 1,000M Ω /DC500V |
| 7. Dielectric strength | Not less than AC2,000V/2sec. |

Standard

VDE 60730-1, -2-9 (request approval)

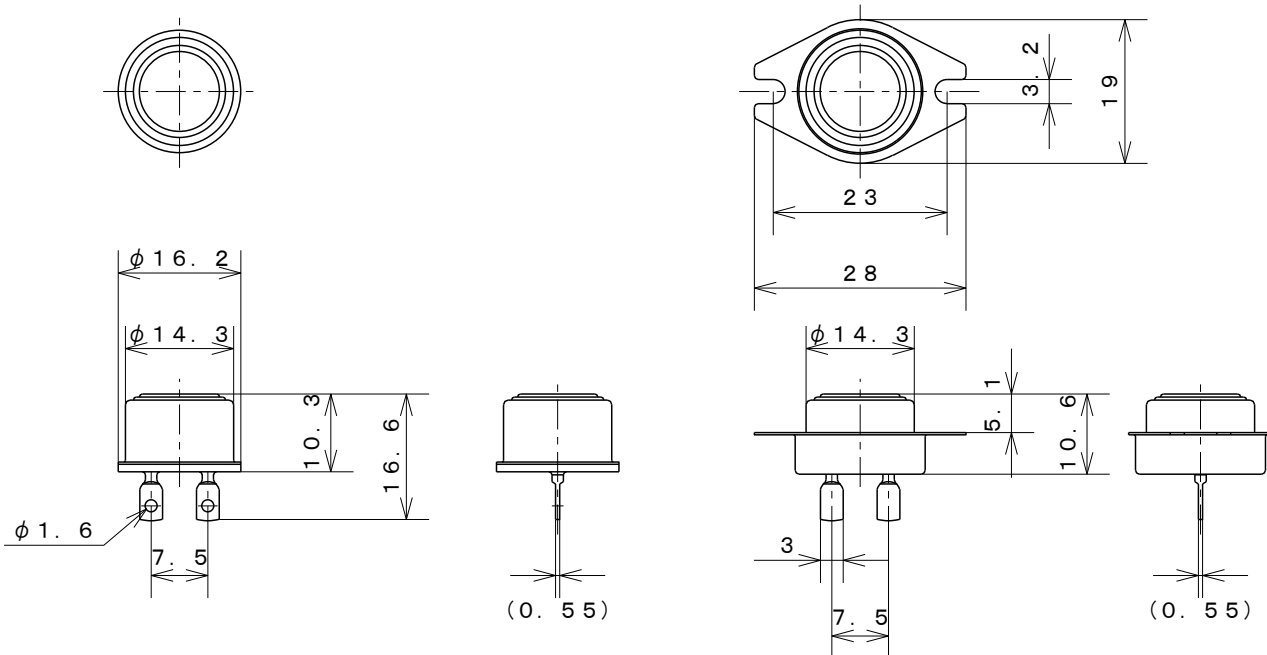




Harmeticc Type Thermostat

Type 63

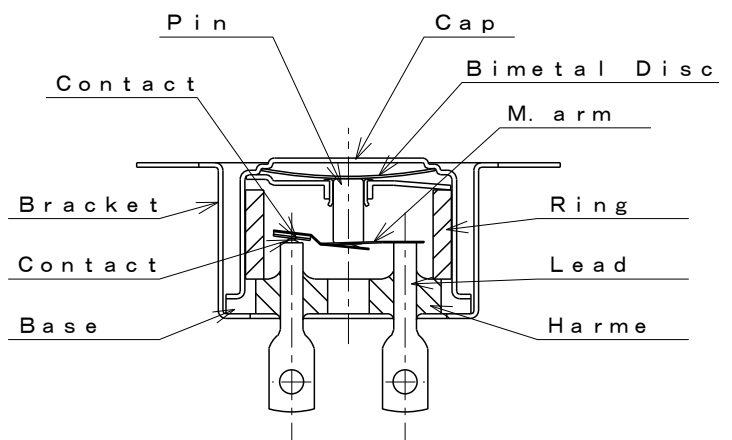
Dimensions



Materials of parts

| Part | Material |
|---------|--|
| Cap | Stainless steel |
| Base | Steel |
| M.arm | Nickel alloy (63HP) Copper alloy (63RP) |
| Leads | Steel + Copper alloy |
| Bracket | Stainless steel |

Structure



Specification

| Item | Specification |
|-----------------------------|---|
| 1. Basic features | SPST Automatic reset |
| 2. Operation | A : Contacts open on temperature rise B : Contacts close on temperature rise |
| 3. Electrical rating | DC12V/500mA DC42V/200mA AC250V/200mA |
| 4. Calibration method | Hot & cold air circulation system |
| 5. Temperature rating | Operating temperature Max. 200°C |
| 6. Insulation resistance | Not less than 1,000MΩ/DC500V |
| 7. Dielectric strength | Not less than AC1,500V/1 min. or AC1,800V/1 sec. |
| 8. Resistance between Leads | Not less than 30mΩ (63HP) · 10mΩ (63RP) |

Standard

CMJ (JET) J-151

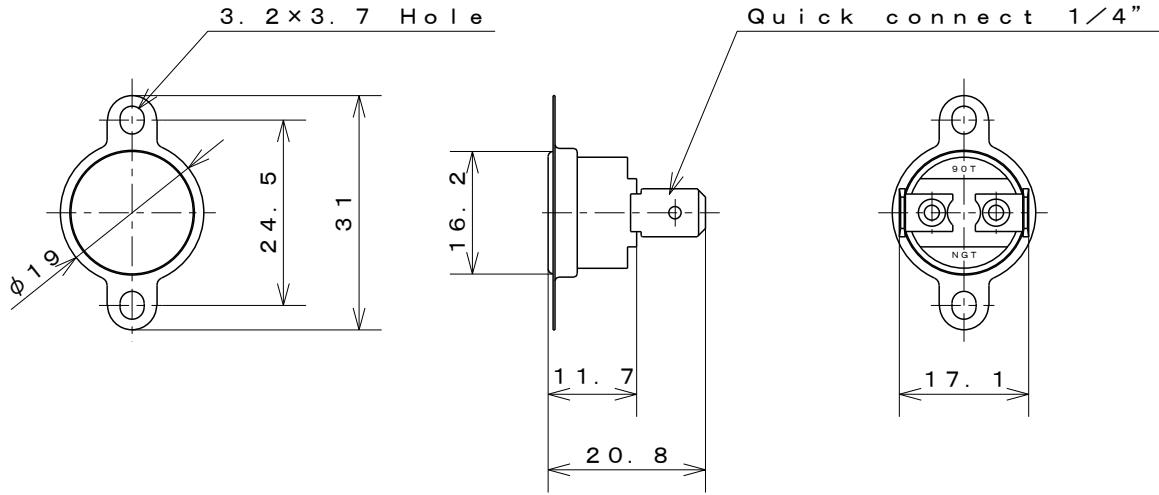




1/2" Thermistor Sensor

Type 90T

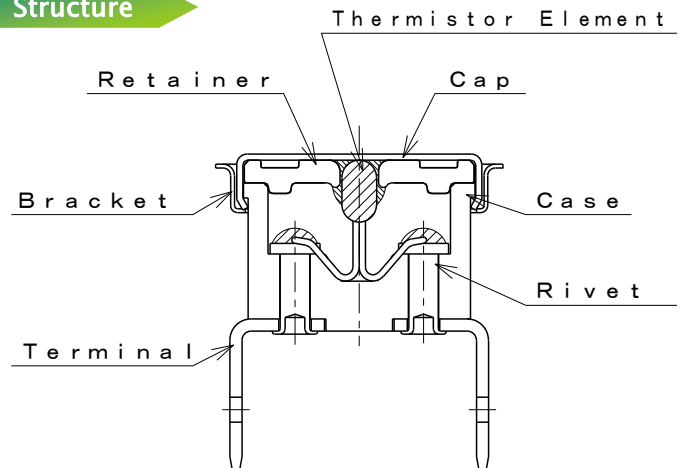
Dimensions



Materials of parts

| Part | Material | Type |
|-------------|-----------------|-----------------------------|
| Sensing-cap | Aluminum | Surface-mounting |
| Bracket | Stainless steel | |
| Retainer | Aluminum | |
| Element | — | Hermetic type |
| Case | Polyester | |
| Rivet | Cu, Ni Alloy | |
| Terminals | Plated Brass | Quick-connect 1/4" 3/16" |

Structure



Specification

| Item | Specification |
|-----------------------|---|
| Temperature range | 0~150°C (We can manage to be able to use it below 0°C if you like to) |
| Time-constant (63.2%) | With 20 seconds (surface of the heated plate) |
| Insulating resistance | Over 1,000M Ω by 500V DC500V megger |
| Dielectric strength | AC1,200V \times one second (leakage current 0.5mA) |

| No. | PB-36 | PB-41E | PT-43C | PT-51F |
|----------------------------|------------------|------------------|-----------------------------|------------------|
| Nominal-resistance (at 25) | 2.186 k Ω | 5.369 k Ω | 0.68 k Ω (at 100) | 49.12 k Ω |
| B-value (25-85°C) | 3420K \pm 68K | 3480K \pm 69K | 3950K \pm 2% (0-100°C) | 3992K \pm 79K |

Above are the standard specifications. Please contact us for further information.

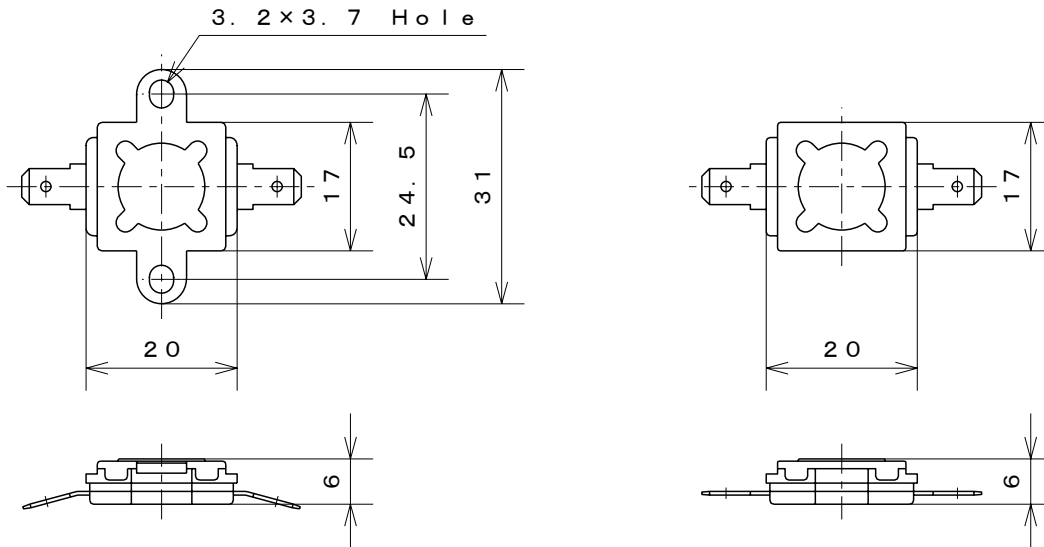




1/2" Disc Type Thermostat
Thin Type

Type **BT1**

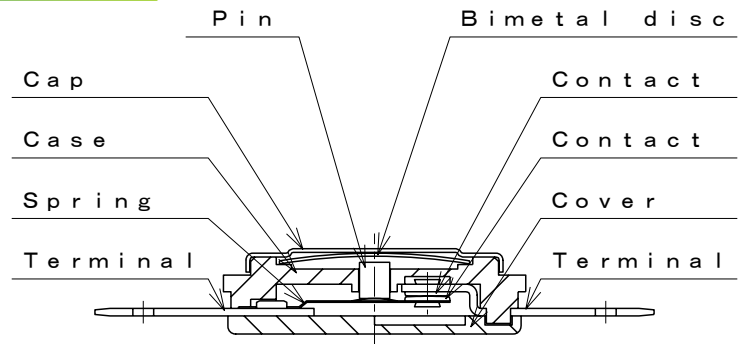
Dimensions



Materials of parts

| Part | Material |
|-------------|---|
| Cap | Copper |
| Case, Cover | Phenolic resin |
| Spring | Beryllium Copper alloy |
| Contacts | Silver (BT1C) Silver-Nickel alloy (BT1,BT1N) |

Structure



Specification

| Item | Specification |
|--------------------------|---|
| 1. Basic features | SPST Automatic reset |
| 2. Operation | A : Contacts open on temperature rise B : Contacts close on temperature rise |
| 3. Electrical rating | BT1 : AC250V/6A BT1C : AC250V/6A BT1N : AC250V/10A |
| 4. Calibration method | Hot & cold air circulation system |
| 5. Temperature rating | Operating temperature Max. 120°C |
| 6. Insulation resistance | Not less than 1,000MΩ/DC500V |
| 7. Dielectric strength | Not less than AC1,500V/1 min. or AC1,800V/1 sec. |

Standard

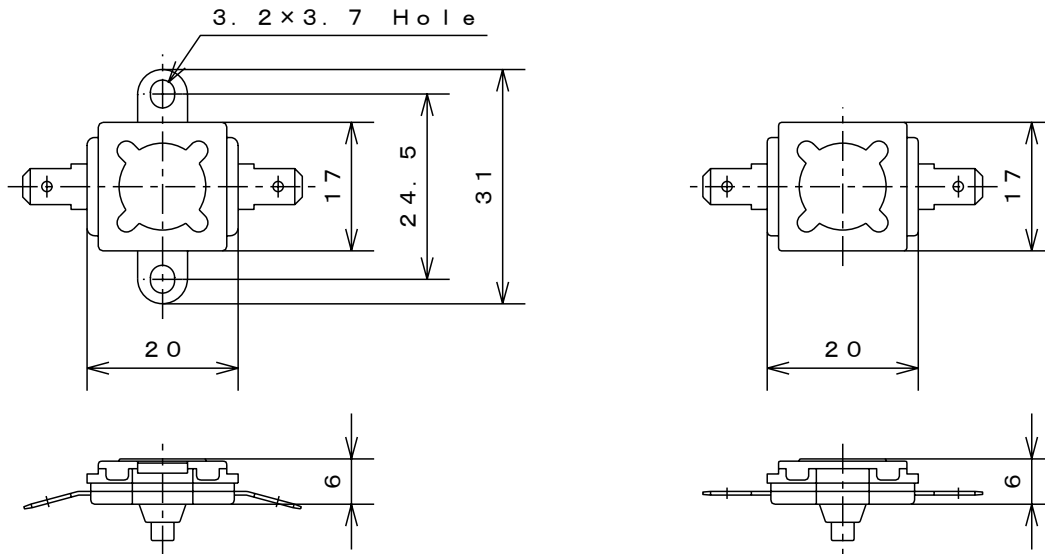
MITI (JET) BT1 :J-50
BT1N:J-51



1/2" Disc Type Thermostat
Thin Type Manual Reset

Type **BT2**

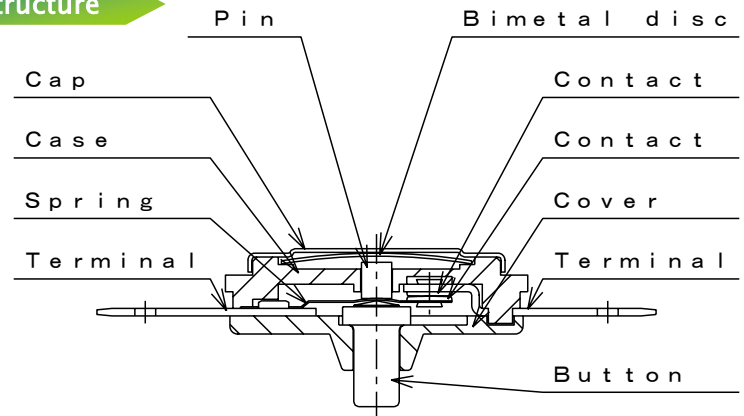
Dimensions



Materials of parts

| Part | Material |
|-------------|---|
| Cap | Copper |
| Case, Cover | Phenolic resin |
| Spring | Beryllium Copper alloy |
| Contacts | Silver (BT2C) Silver-Nickel alloy (BT2,BT2N) |

Structure



Specification

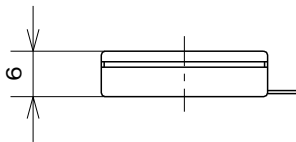
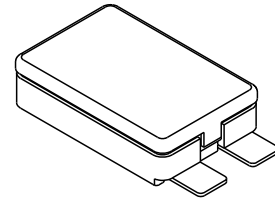
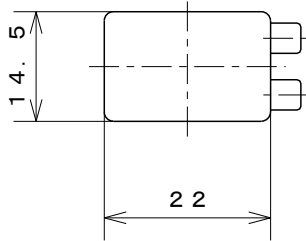
| Item | Specification |
|--------------------------|--|
| 1. Basic features | SPST Manual reset |
| 2. Operation | A : Contacts open on temperature rise Not automatic reset |
| 3. Electrical rating | BT2 : AC125V/6A BT2C : AC125V/6A BT2N : AC125V/10A |
| 4. Calibration method | Hot & cold air circulation system |
| 5. Temperature rating | Operating temperature Max. 120°C |
| 6. Insulation resistance | Not less than 1,000MΩ/DC500V |
| 7. Dielectric strength | Not less than AC1,500V/1min. or AC1,800V/1sec. |



Thin Box Type

Type **MH3**

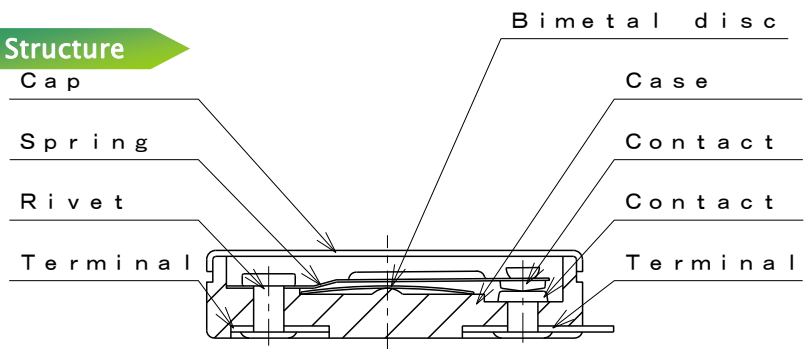
Dimensions



Materials of parts

| Part | Material |
|----------|------------------------|
| Cap | Aluminum |
| Case | Phenolic resin |
| Spring | Beryllium Copper alloy |
| Rivet | Copper |
| Contacts | Silver |
| Terminal | Brass |

Structure



Specification

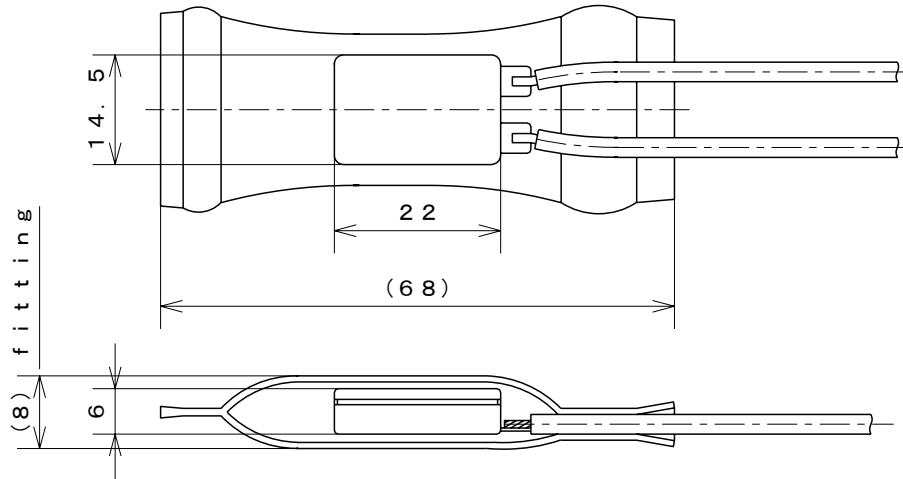
| Item | Specification |
|--------------------------|--|
| 1. Basic features | SPST Automatic reset |
| 2. Operation | L : Contacts open on temperature rise |
| 3. Electrical rating | AC125V/6A AC250V/3A (Separately, the insulation protection is necessary) DC12V/5A |
| 4. Calibration method | Hot & cold air circulation system |
| 5. Temperature rating | Operating temperature Max. 70°C |
| 6. Insulation resistance | Not less than 1,000MΩ/DC500V |



Sealed by PVC tube
Water-proof Type

Type MH3U

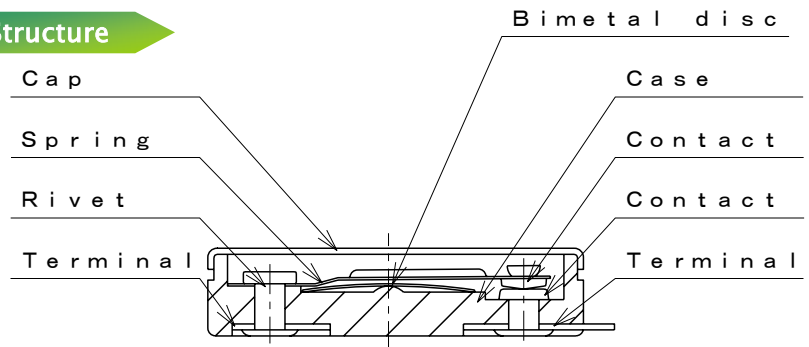
Dimensions



Materials of parts

| Part | Material |
|----------|------------------------|
| Cap | Aluminum |
| Case | Phenolic resin |
| Spring | Beryllium Copper alloy |
| Leads | PVC AWG No.20 |
| Contacts | Silver |

Structure



Specification

| Item | Specification |
|--------------------------|---|
| 1. Basic features | SPST Automatic reset |
| 2. Operation | L : Contacts open on temperature rise F : Contacts close on temperature rise |
| 3. Electrical rating | AC125V/6A AC250V/3A |
| 4. Calibration method | Hot & cold air circulation system |
| 5. Temperature rating | Operating temperature Max. 70°C |
| 6. Insulation resistance | Not less than 1,000MΩ/DC500V |
| 7. Dielectric strength | Not less than AC1,500V/1min. or AC1,800V/1sec. |

Standard

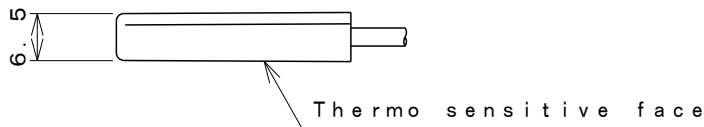
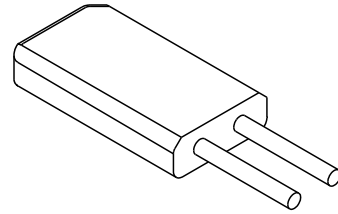
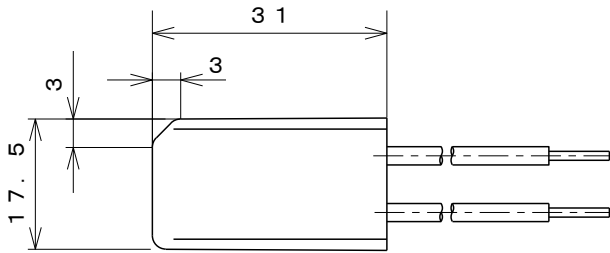
| | | | |
|------------------|------------|----------------------|---------------------|
| UL 873 | UL File | No. E43273 | AC125V/3A AC250V/2A |
| CSA C22.2 No. 24 | CSA Report | No. LR67165, LR67166 | AC125V/3A AC250V/2A |



Thin Box
Water Proof Type

Type **MH4**

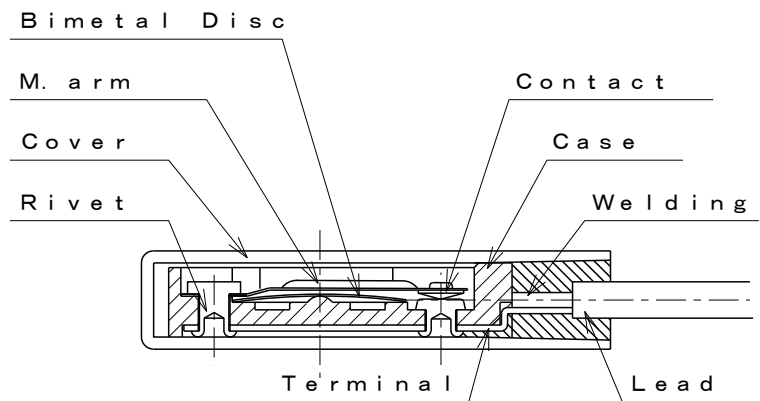
Dimensions



Materials of parts

| Part | Material |
|----------|------------------------------|
| Cover | PBT |
| Case | Phenolic resin |
| Spring | Beryllium Copper alloy |
| Contacts | Silver / Silver-Nickel alloy |
| Rivet | Copper |
| Terminal | Brass |
| Leads | PVC |

Structure



Specification

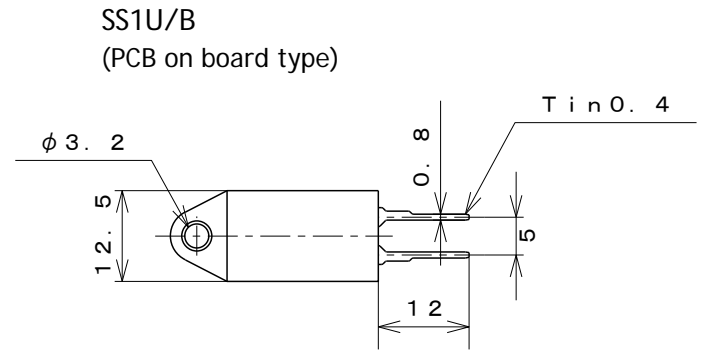
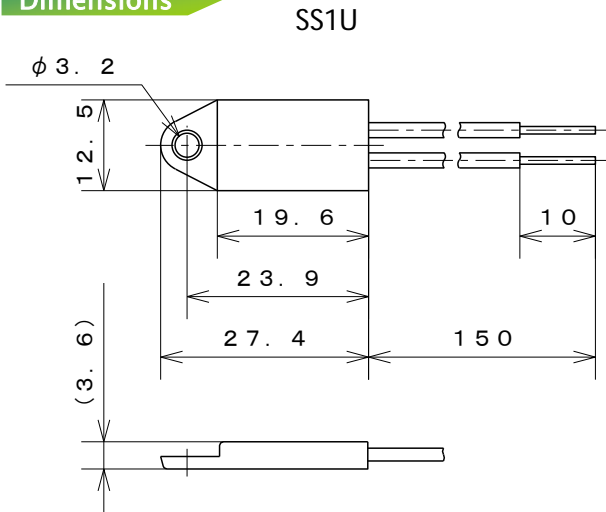
| Item | Specification |
|--------------------------|---------------------------------------|
| 1. Basic features | SPST Automatic reset |
| 2. Operation | L : Contacts open on temperature rise |
| 3. Electrical rating | AC125V/8A AC250V/4A , DC13.5V/7A |
| 4. Calibration method | Hot & cold air circulation system |
| 5. Temperature rating | Operating temperature Max. 70°C |
| 6. Insulation resistance | Not less than 1,000MΩ/DC500V |



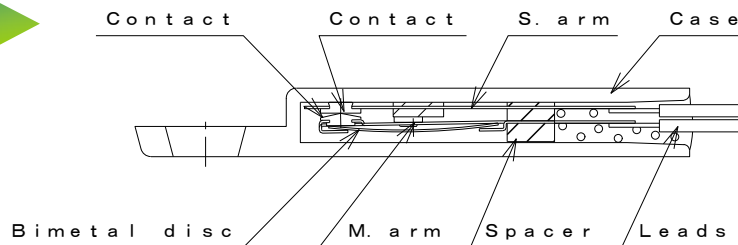
Small & Thin
Drip-proof Type Automatic Reset
PCB on board Type

Type **SS1**

Dimensions



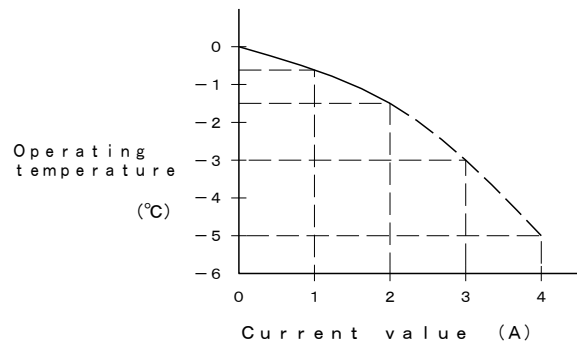
Structure



Materials of parts

| Part | Material |
|-----------|----------------------------|
| Case | Polybutylene terephthalate |
| M. arm | Beryllium copper |
| Contacts | Silver-Nickel alloy |
| Leads | PVC 0.3mm ² |
| Terminals | Tin plated brass |

Drift of operating temperature by current value when contact close



Specification

| Item | Specification |
|--------------------------|---|
| 1. Basic features | SPST Automatic reset |
| 2. Operation | L : Contacts open on temperature rise F : Contacts close on temperature rise |
| 3. Electrical rating | AC250V/3A |
| 4. Calibration method | Hot & cold air circulation system |
| 5. Temperature rating | Operating temperature Max. 105°C Differential: 8~15°C |
| 6. Insulation resistance | 1,000MΩ or more / DC500V |
| 7. Dielectric strength | AC1,500V/1min. or AC1,800V/1sec. |

Standard

UL 60730-1A, -2-9 File No. E201152 C-UR(CAN/CSA-E60730-1, -2-9)

