

## MSP106 - MSP SERIES

## MSP112 - MSP SERIES

## MSP106 Slip Rings

MSP106 slip rings are miniature, separated slip ring, with 6 rings signal/2A, are standard, off-the-shelf. Color-coded lead wires are used on both the stator and rotor for simplified electrical connections. Using a 90° V-groove ring design for each ring.

MSP1069 is the high-end version corresponding to MSP106, See difference as below:

	Max Speed	Working life	Torque	Electrical noise① @10Rpm
MSP106	250RPM	20million	0.02 N·m	10mΩ
MSP1069	1000RPM	100million	0.005 N·m	4mΩ



## Specifications

## Specifications

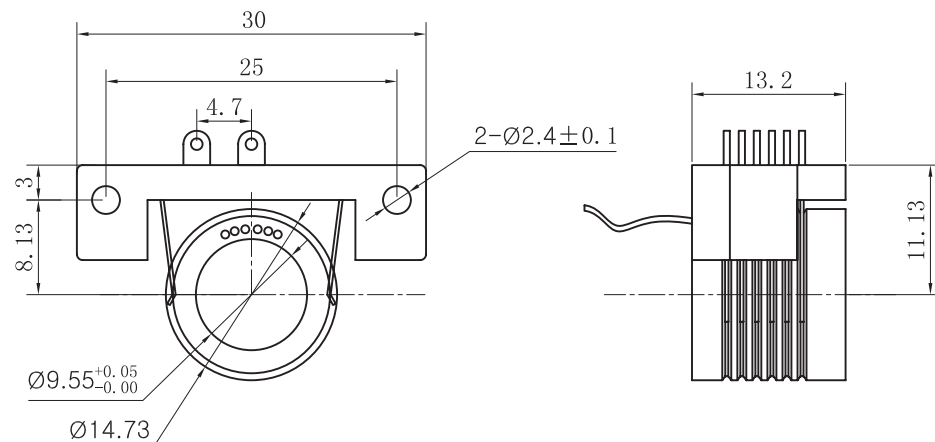
Circuits Num	6	current	2A/signal
Rating voltage	210 VDC / 240 VAC	Contact material	Precious Metal:Gold-Gold
Dielectric strength	600VDC@50Hz	Lead Wire	UL Teflon® Awg28
Insulation resistance	1000MΩ@500VDC	Lead Lengths	250mm
Operating Temp.	-40°C to 80°C	Protection	IP51
Mechanical vibratio	MIL-SID-810E	Humidity	10% to 90% RH
Materials	Lead Free,RoHS compliant	CE Certified	YES

## Notes:

- 1)The operational life of the unit is dependent upon rotational speed, environment and temperature.
- 2)Lead Wire size: 2A/signal -> AWG28 colored code.
- 3)Electrical noise is dependent upon the rotating speed and current,voltage.

## Drawings

Standard drawings:



## Application

Typical Application

- ▶ CCTV Monitoring System.
- ▶ Electrical test equipment.
- ▶ Medical equipment.
- ▶ Rotary table
- ▶ Robotics
- ▶ Laboratory equipmen
- ▶ Manufacturing and process control equipment

## MSP112 Slip Rings

MSP112 slip rings are miniature, separated slip ring, with 12 rings signal/2A, are standard, off-the-shelf. Color-coded lead wires are used on both the stator and rotor for simplified electrical connections. Using a 90° V-groove ring design for each ring.

MSP1129 is the high-end version corresponding to MSP112, See difference as below:

	Max Speed	Working life	Torque	Electrical noise① @10Rpm
MSP112	250RPM	20million	0.02 N·m	10mΩ
MSP1129	1000RPM	100million	0.005 N·m	4mΩ



## Specifications

## Specifications

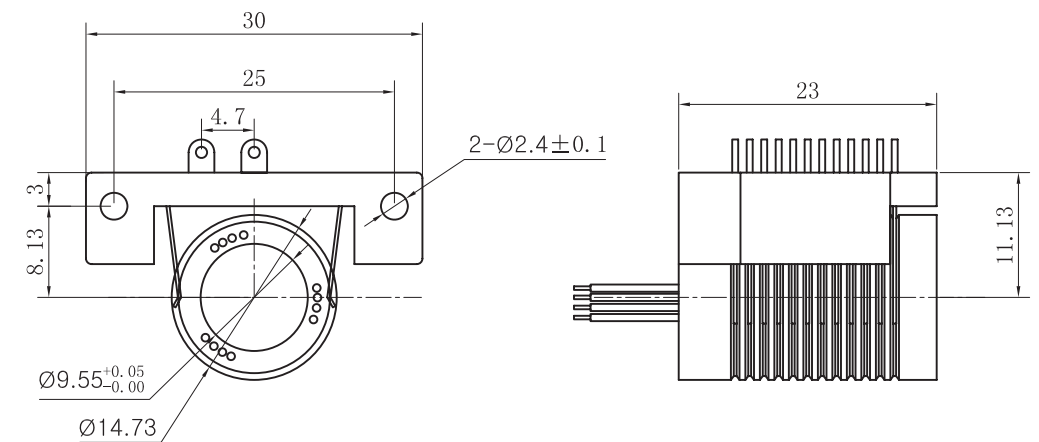
Circuits Num	12	current	2A/signal
Rating voltage	210 VDC / 240 VAC	Contact material	Precious Metal:Gold-Gold
Dielectric strength	600VDC@50Hz	Lead Wire	UL Teflon® Awg28
Insulation resistance	1000MΩ@500VDC	Lead Lengths	250mm
Operating Temp.	-40°C to 80°C	Protection	IP51
Mechanical vibratio	MIL-SID-810E	Humidity	10% to 90% RH
Materials	Lead Free,RoHS compliant	CE Certified	YES

## Notes:

- 1)The operational life of the unit is dependent upon rotational speed, environment and temperature.
- 2)Lead Wire size: 2A/signal -> AWG28 colored code.
- 3)Electrical noise is dependent upon the rotating speed and current,voltage.

## Drawings

Standard drawings:



## Application

Typical Application

- ▶ CCTV Monitoring System.
- ▶ Electrical test equipment.
- ▶ Medical equipment.
- ▶ Rotary table
- ▶ Robotics
- ▶ Laboratory equipmen
- ▶ Manufacturing and process control equipment