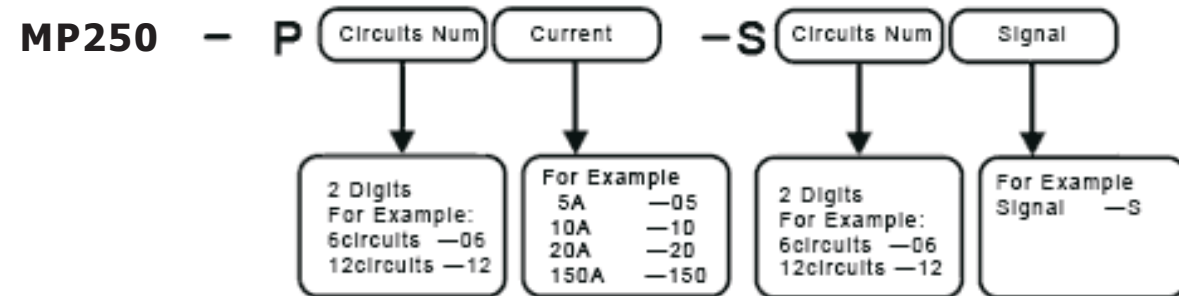


Build On Request

how to build on request?

Please see ordering information instructions as below :



For example:

- ▶ if order MP250 with 8wires*15A each + 17wires*signal, the model should be **MP250-P0815-S17**.
- ▶ if order MP250 with 15wires*10A each + 3 wires*50A + 8wires*signal, the model should be **MP250-P1510-P0350-S08**
- ▶ if you have other optional requirements, such as wire exit direction, lead wire length, connectors, high temperature, large current, military grade, Please describe in your email.

After Finishing above, pls send email to us: technical@moflon.com for further technical support.

MP270 Slip Rings

MP270 slip rings, with through bore size 70.00mm(2.75"), Thickness(Length) 30.00mm, are standard, off-the-shelf, Color-coded lead wires are used on both the stator and rotor for simplified electrical connections.

PART# Explanation:

MP270 - P0610 - S06

S06: signal/2A each @ 6 circuits
P0610: 10A each @ 6 circuits



Specifications

PART #	OD	SIGNAL 2A	10A	20A	TOTAL WIRES	PART #	OD	SIGNAL 2A	10A	20A	TOTAL WIRES
MP270-S02	152	2	0	0	2	MP270-P0210	152	0	2	0	2
MP270-P0210-S02	168	2	2	0	4	MP270-P0410	168	0	4	2	4
MP270-S06	184	6	0	0	6	MP270-P0610	184	0	6	0	6
MP270-P0620	184	0	0	6	6	MP270-P0210-S04	184	4	2	0	6
MP270-S12	232	12	0	0	12	MP270-P1210	232	0	12	0	12
MP270-P1220	232	0	0	12	12	MP270-P0610-S06	232	6	6	0	12
MP270-P0620-S06	232	6	0	6	12	MP270-S18	280	18	0	0	18
MP270-P1810	280	0	18	0	18	MP270-P0610-S12	280	12	6	0	18
MP270-P1210-S06	280	6	12	0	18	MP270-P0810-S10	280	10	8	0	18
MP270-S24	268	24	0	0	24	MP270-P2410	268	0	24	0	24
MP270-P1210-S12	328	12	12	0	24	MP270-P0610-S18	328	6	18	0	24
MP270-S36	424	36	0	0	36	MP270-S48	488	48	0	0	48

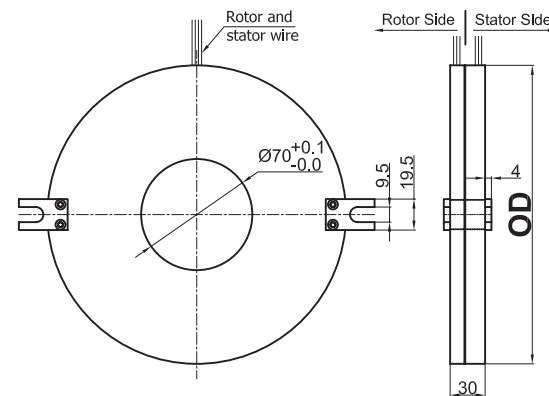
Shared Specifications

Rings	2-36(see table as above)	Current	Signal(2A), 10A, Multiple 10A
Voltage	250 VDC/VAC	Max speed	250RPM
Through Bore size	70mm(2.76")	Thickness	30mm (1.18")
Housing Material	Aluminium Alloy	Torque	0.8N.m
Working life	80million revolutions	Contact material	Precious Metal:Gold-Gold
Electrical noise	<20 milliohms	Contact Resistance	<200mOhm(AWG16#,300mm)
Dielectric strength	1000VDC@50Hz	Lead Wire	UL Teflon®
Insulation resistance	1000MΩ@600VDC	Lead Lengths	250mm
Operating Temp.	-40°C to 80°C	Protection	IP51
Mechanical vibration	MIL-SID-810E	Humidity	10% to 90% RH
Materials	Lead Free, RoHS compliant	CE Certified	YES

Notes:

- 1)The operational life of the unit is dependent upon rotational speed, environment and temperature.
- 2)Lead Wire size: 2A/signal -> AWG22, 10A -> AWG16, 20A -> Awg14, colored code.
- 3)Electrical noise is dependent upon the rotating speed and current,voltage.

Drawings



MP270

12 wires for one group color. from 13 ... 24, repeat the same color as 1 ... 12, indicated with number code pipe.

Lead wire Color codes

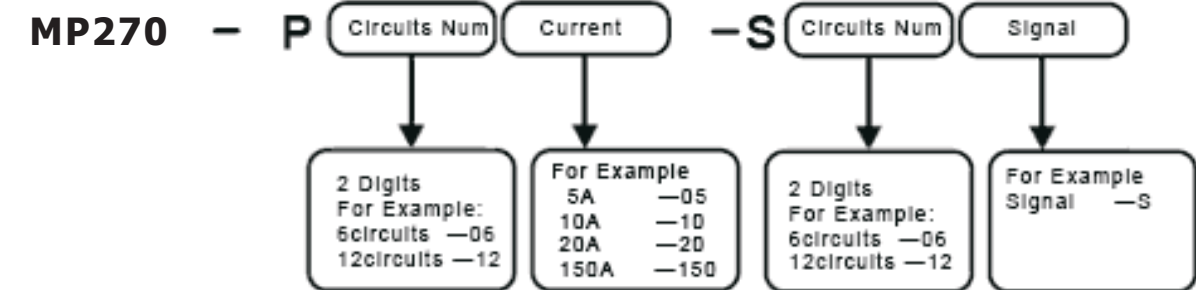
Rings#	Color Code	Rings#	Color Code	Rings#	Color Code
1	BLK	5	YEL	9	GRY
2	BRN	6	GRN	10	WHT
3	RED	7	BLU	11	PINK
4	ORN	8	PURPLE	12	AZURY

Options

- MP279 is the high-end version corresponding to MP270.
- MP271 is the low-cost version corresponding to MP270
- Can combine more wires: 1-72Ring
- Specified connectors and Heat-shrink tube.
- Longer lead lengths available.
- Shielded cables
- Connectors
- Frequencies up to 500 MHz
- High-speed data transmission for fast Ethernet and EtherCat
- Signal, Coax, and Power combinations
- Thermocouples
- Shock, Vibration, and Temperature Qualified
- Pneumatic/Hydraulic Capability
- High temperature---up to 450 degree
- High Voltage & large Current(1000A)
- Military Grade.

how to build on request?

Please see ordering information instructions as below :



For example:

- if order MP270 with 8wires*15A each + 17wires*signal, the model should be MP270-P0815-S17.
- if order MP270 with 15wires*10A each + 3 wires*50A + 8wires*signal, the model should be MP270-P1510-P0350-S08
- if you have other optional requirements, such as wire exit direction, lead wire length, connectors, high temperature, large current, military grade, Please describe in your email.