

MP220 - MP SERIES

MP220 Slip Rings

MP210 slip rings, with through bore size 25.4mm(1"), Thickness(Length) 22.00mm, are standard, off-the-shelf, Color-coded lead wires are used on both the stator and rotor for simplified electrical connections.

PART# Explanation:

MP220 - P0610 - S06

S06: signal/2A each @ 6 circuits
P0610: 10A each @ 6 circuits



Specifications

PART #	OD	SIGNAL 2A	10A	20A	TOTAL WIRES	PART #	OD	SIGNAL 2A	10A	20A	TOTAL WIRES
MP220-S02	92	2	0	0	2	MP220-P0210	92	0	2	0	2
MP220-P0210-S02	108	2	2	0	4	MP220-P0410	108	0	4	2	4
MP220-S06	124	6	0	0	6	MP220-P0610	124	0	6	0	6
MP220-P0620	124	0	0	6	6	MP220-P0210-S04	124	4	2	0	6
MP220-S12	172	12	0	0	12	MP220-P1210	172	0	12	0	12
MP220-P1220	172	0	0	12	12	MP220-P0610-S06	172	6	6	0	12
MP220-P0620-S06	172	6	0	6	12	MP220-S18	216	18	0	0	18
MP220-P1810	216	0	18	0	18	MP220-P0610-S12	216	12	6	0	18
MP220-P1210-S06	216	6	12	0	18	MP220-P0810-S10	204	10	8	0	18
MP220-S24	268	24	0	0	24	MP220-P2410	268	0	24	0	24
MP220-P1210-S12	268	12	12	0	24	MP220-P0610-S18	268	6	18	0	24
MP220-S36	364	36	0	0	36	MP220-S48	460	48	0	0	48

Shared Specifications

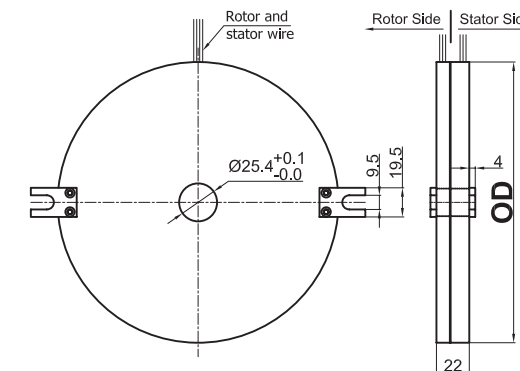
Rings	2-36(see table as above)	Current	Signal(2A),10A,Multiple 10A
Voltage	250 VDC/VAC	Max speed	250RPM
Through Bore size	25.4mm(1")	Thickness	22mm (0.86")
Housing Material	Aluminium Alloy	Torque	0.8N.m
Working life	80million revolutions	Contact material	Precious Metal:Gold-Gold
Electrical noise	<20 milliohms	Contact Resistance	<200mOhm(AWG16#,300mm)
Dielectric strength	1000VDC@50Hz	Lead Wire	UL Teflon®
Insulation resistance	1000MΩ@600VDC	Lead Lengths	250mm
Operating Temp.	-40°C to 80°C	Protection	IP51
Mechanical vibration	MIL-SID-810E	Humidity	10% to 90% RH
Materials	Lead Free,RoHS compliant	CE Certified	YES

MP220 - MP SERIES

Notes:

- 1)The operational life of the unit is dependent upon rotational speed, environment and temperature.
- 2)Lead Wire size: 2A/signal -> AWG22, 10A -> AWG16, 20A -> Awg14, colored code.
- 3)Electrical noise is dependent upon the rotating speed and current,voltage.

Drawings



MP220

12 wires for one group color. from 13 ... 24, repeat the same color as 1 ... 12,indicated with number code pipe.

Lead wire Color codes

Rings#	Color Code	Rings#	Color Code	Rings#	Color Code
1	BLK	5	YEL	9	GRY
2	BRN	6	GRN	10	WHT
3	RED	7	BLU	11	PINK
4	ORN	8	PURPLE	12	AZURY

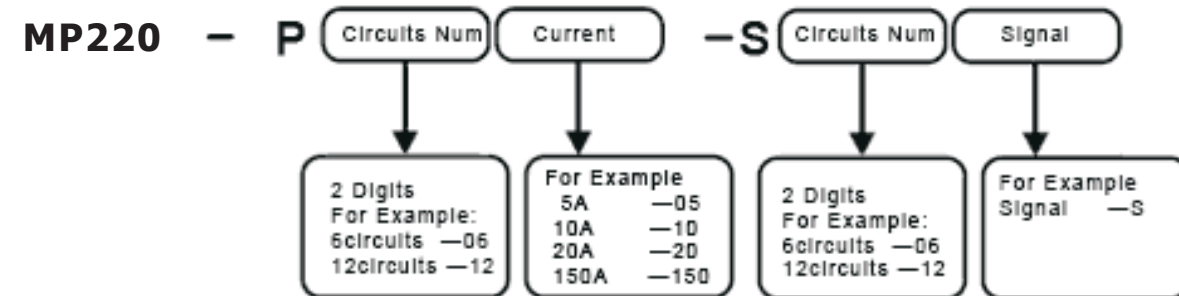
Options

- ▶ MP229 is the high-end version corresponding to MP220.
- ▶ MP221 is the low-cost version corresponding to MP220
- ▶ Can combine more wires:1-72Ring
- ▶ Specified connectors and Heat-shrink tube.
- ▶ Longer lead lengths available.
- ▶ Shielded cables
- ▶ Connectors
- ▶ Frequencies up to 500 MHz
- ▶ High-speed data transmission for fast Ethernetand EtherCat
- ▶ Signal, Coax, and Power combinations
- ▶ Thermocouples
- ▶ Shock, Vibration, and Temperature Qualified
- ▶ Pneumatic/Hydraulic Capability
- ▶ High temperature---up to 450 degree
- ▶ High Voltage & large Current(1000A)
- ▶ Military Grade.

Build On Request

how to build on request?

Please see ordering information instructions as below :



For example:

- ▶ if order MP220 with 8wires*15A each + 17wires*signal, the model should be **MP220-P0815-S17**.
- ▶ if order MP220 with 15wires*10A each + 3 wires*50A + 8wires*signal, the model should be **MP220-P1510-P0350-S08**
- ▶ if you have other optional requirements, such as wire exit direction, lead wire length, connectors, high temperature, large current, military grade, Please describe in your email.

After Finishing above, pls send email to us: technical@moflon.com for further technical support.

MP240 Slip Rings

MP240 slip rings, with through bore size 40.00mm(1.57"), Thickness(Length) 30.00mm, are standard, off-the-shelf, Color-coded lead wires are used on both the stator and rotor for simplified electrical connections.

PART# Explanation:

MP240 - P0610 - S06

S06: signal/2A each @ 6 circuits

P0610: 10A each @ 6 circuits



Specifications

PART #	OD	SIGNAL 2A	10A	20A	TOTAL WIRES	PART #	OD	SIGNAL 2A	10A	20A	TOTAL WIRES
MP240-S02	120	2	0	0	2	MP240-P0210	120	0	2	0	2
MP240-P0210-S02	136	2	2	0	4	MP240-P0410	136	0	4	2	4
MP240-S06	152	6	0	0	6	MP240-P0610	152	0	6	0	6
MP240-P0620	152	0	0	6	6	MP240-P0210-S04	152	4	2	0	6
MP240-S12	200	12	0	0	12	MP240-P1210	200	0	12	0	12
MP240-P1220	200	0	0	12	12	MP240-P0610-S06	200	6	6	0	12
MP240-P0620-S06	200	6	0	6	12	MP240-S18	248	18	0	0	18
MP240-P1810	248	0	18	0	18	MP240-P0610-S12	248	12	6	0	18
MP240-P1210-S06	248	6	12	0	18	MP240-P0810-S10	248	10	8	0	18
MP240-S24	296	24	0	0	24	MP240-P2410	296	0	24	0	24
MP240-P1210-S12	296	12	12	0	24	MP240-P0610-S18	296	6	18	0	24
MP240-S36	392	36	0	0	36	MP240-S48	488	48	0	0	48

Shared Specifications

Rings	2-48(see table as above)	Current	Signal(2A),10A,Multiple 10A
Voltage	250 VDC/VAC	Max speed	250RPM
Through Bore size	40mm(1.57")	Thickness	30mm (1.18")
Housing Material	Aluminium Alloy	Torque	0.8N.m
Working life	80million revolutions	Contact material	Precious Metal:Gold-Gold
Electrical noise	<20 milliohms	Contact Resistance	<200mOhm(AWG16#,300mm)
Dielectric strength	1000VDC@50Hz	Lead Wire	UL Teflon@
Insulation resistance	1000MΩ@600VDC	Lead Lengths	250mm
Operating Temp.	-40°C to 80°C	Protection	IP51
Mechanical vibration	MIL-SID-810E	Humidity	10% to 90% RH
Materials	Lead Free,RoHS compliant	CE Certified	YES