

MP100 - MP SERIES

MP210 - MP SERIES

12 wires for one group color. from 13 ... 24, repeat the same color as 1 ... 12, indicated with number code pipe.

Lead wire Color codes

Rings#	Color Code	Rings#	Color Code	Rings#	Color Code
1	BLK	5	YEL	9	GRY
2	BRN	6	GRN	10	WHT
3	RED	7	BLU	11	PINK
4	ORN	8	PURPLE	12	AZURY

Optional Flanges mounting:

At sometimes, we need a different flange for mounting instead, how should we do?

Great! Moflon supply flange style as below:

(when you order, pls add FL01 at the suffix of Part#, for example: MP100-06S-FL01 means MP100-06S with optional flange FL01.)

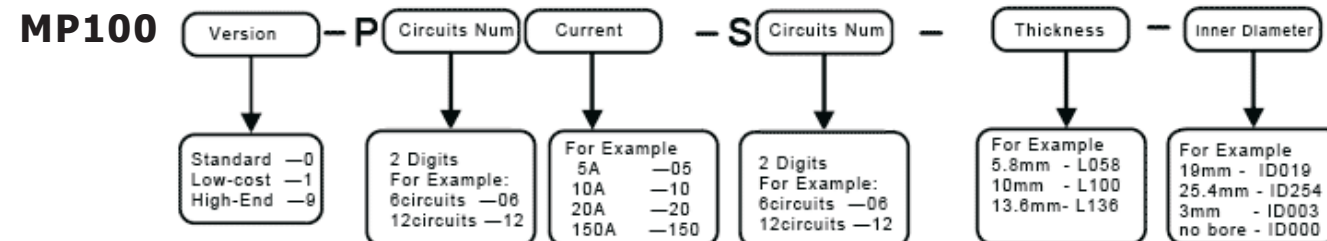
Options

- ▶ MP109 is the high-end version corresponding to MP100.
- ▶ MP101 is the low-cost version corresponding to MP100.
- ▶ Can combine more wires: 1-36Ring
- ▶ Specified connectors and Heat-shrink tube.
- ▶ Longer lead lengths available.
- ▶ Shielded cables
- ▶ Connectors

Build On Request

how to build on request?

Please see ordering information instructions as below :



For example:

▶ if order MP100 with 3wires*15A each + 12wires*signal, thickness 6.8mm, bore size 20mm, the model should be MP100-0315-12S-L068-ID020.

▶ if order MP109 with 12wires*signal, thickness 12mm, bore size 50.1mm, the model should be MP100-12S-L120-ID501

▶ if you have other optional requirements, such as wire exit direction, lead wire length, connectors, high temperature, large current, military grade, Please describe in your email.

After Finishing above, pls send email to us: technical@moflon.com for further technical support.

MP210 Slip Rings

MP210 slip rings, with through bore size 12.7mm(0.5"), Thickness(Length) 20.00mm, are standard, off-the-shelf, Color-coded lead wires are used on both the stator and rotor for simplified electrical connections.

PART# Explanation:

MP100 - P0610 - S06

S06: signal/2A each @ 6 circuits

P0610: 10A each @ 6 circuits



Specifications

PART #	OD	SIGNAL 2A	10A	20A	TOTAL WIRES	PART #	OD	SIGNAL 2A	10A	20A	TOTAL WIRES
MP210-S02	76	2	0	0	2	MP210-P0210	76	0	2	0	2
MP210-P0210-S02	92	2	2	0	4	MP210-P0410	92	0	4	2	4
MP210-S06	108	6	0	0	6	MP210-P0610	108	0	6	0	6
MP210-P0620	108	0	0	6	6	MP210-P0210-S04	108	4	2	0	6
MP210-S12	156	12	0	0	12	MP210-P1210	156	0	12	0	12
MP210-P1220	156	0	0	12	12	MP210-P0610-S06	156	6	6	0	12
MP210-P0620-S06	156	6	0	6	12	MP210-S18	204	18	0	0	18
MP210-P1810	204	0	18	0	18	MP210-P0610-S12	204	12	6	0	18
MP210-P1210-S06	204	6	12	0	18	MP210-P0810-S10	204	10	8	0	18
MP210-S24	252	24	0	0	24	MP210-P2410	252	0	24	0	24
MP210-P1210-S12	252	12	12	0	24	MP210-P0610-S18	252	6	18	0	24
MP210-S36	348	36	0	0	36	MP210-S48	444	48	0	0	48

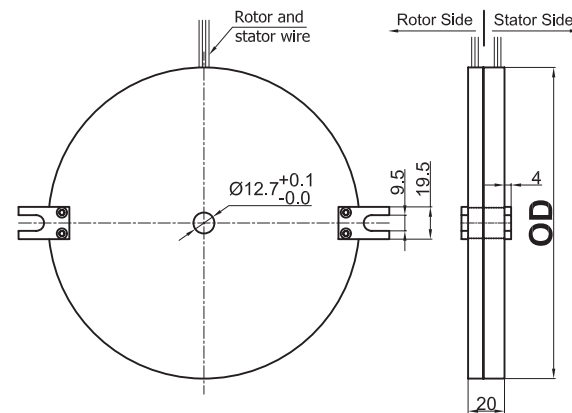
Shared Specifications

Rings	2-36(see table as above)	Current	Signal(2A), 10A, Multiple 10A
Voltage	250 VDC/VAC	Max speed	250RPM
Through Bore size	12.7mm(1/2")	Thickness	20mm (0.79")
Housing Material	Aluminium Alloy	Torque	0.8N.m
Working life	80million revolutions	Contact material	Precious Metal:Gold-Gold
Electrical noise	<20 milliohms	Contact Resistance	<200mOhm(AWG16#,300mm)
Dielectric strength	1000VDC@50Hz	Lead Wire	UL Teflon®
Insulation resistance	1000MΩ@600VDC	Lead Lengths	250mm
Operating Temp.	-40°C to 80°C	Protection	IP51
Mechanical vibration	MIL-SID-810E	Humidity	10% to 90% RH
Materials	Lead Free, RoHS compliant	CE Certified	YES

Notes:

- 1)The operational life of the unit is dependent upon rotational speed, environment and temperature.
- 2)Lead Wire size: 2A/signal -> AWG22, 10A -> AWG16, 20A -> Awg14, colored code.
- 3)Electrical noise is dependent upon the rotating speed and current,voltage.

Drawings



MP210

12 wires for one group color. from 13 ... 24, repeat the same color as 1 ... 12,indicated with number code pipe.

Lead wire Color codes

Rings#	Color Code	Rings#	Color Code	Rings#	Color Code
1	BLK	5	YEL	9	GRY
2	BRN	6	GRN	10	WHT
3	RED	7	BLU	11	PINK
4	ORN	8	PURPLE	12	AZURY

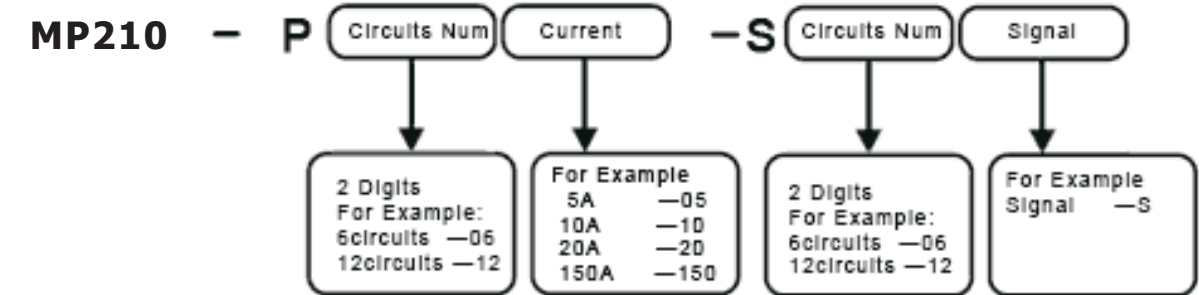
Options

- P219 is the high-end version corresponding to MP210.
- MP211 is the low-cost version corresponding to MP210
- Can combine more wires:1-72Ring
- Specified connectors and Heat-shrink tube.
- Longer lead lengths available.
- Shielded cables
- Connectors
- Frequencies up to 500 MHz
- High-speed data transmission for fast Ethernetand EtherCat
- Signal, Coax, and Power combinations
- Thermocouples
- Shock, Vibration, and Temperature Qualified
- Pneumatic/Hydraulic Capability
- High temperature---up to 450 degree
- High Voltage & large Current(1000A)
- Military Grade.

Build On Request

how to build on request?

Please see ordering information instructions as below :



For example:

- if order MP210 with 8wires*15A each + 17wires*signal,the model should be MP210-P0815-S17.
- if order MP210 with 15wires*10A each + 3 wires*50A + 8wires*signal,the model should be MP210-P1510-P0350-S08
- if you have other optional requirements,such as wire exit direction,lead wire length,connectors,high temperature, large current,military grade, Please describe in your email.

After Finishing above, pls send email to us: technical@moflon.com for further technical support.