

### MMC182 Slip Rings

OD 12.50mm(0.49"), Length 18.2mm(0.72"), 6wires\* 2A(signal)

MMC182 slip rings are small and compact with OD 12.5mm \* L 18.2mm, standard, off-the-shelf. Color-coded lead wires are used on both the stator and rotor for simplified electrical connections. Using a 90° V-groove ring design for each ring.

MMC1829 is the high-end version corresponding to MMC182, See difference as below:

	Max Speed	Working life	Torque	Housing Material	Electrical noise <sup>①</sup> @10Rpm
MMC182	250RPM	50million	0.02 N·m	Plastics	10mΩ
MMC1829	10000RPM	1500million	0.005 N·m	Metal	4mΩ



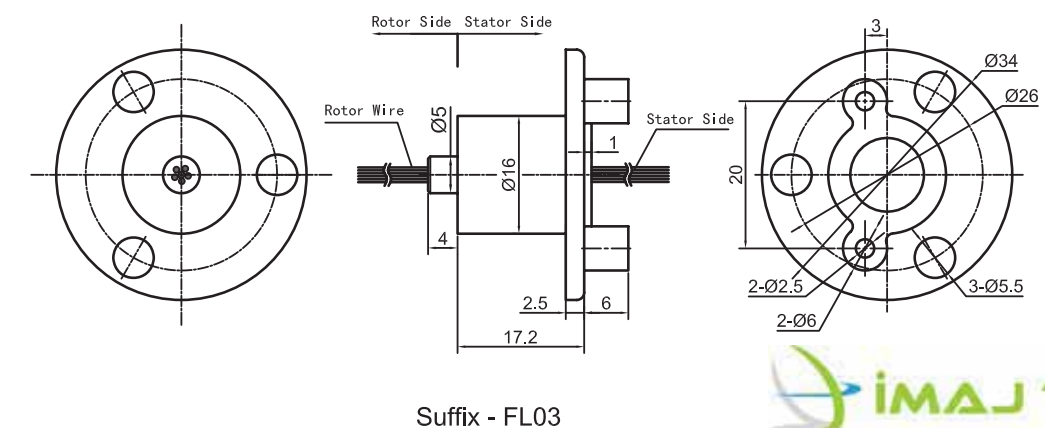
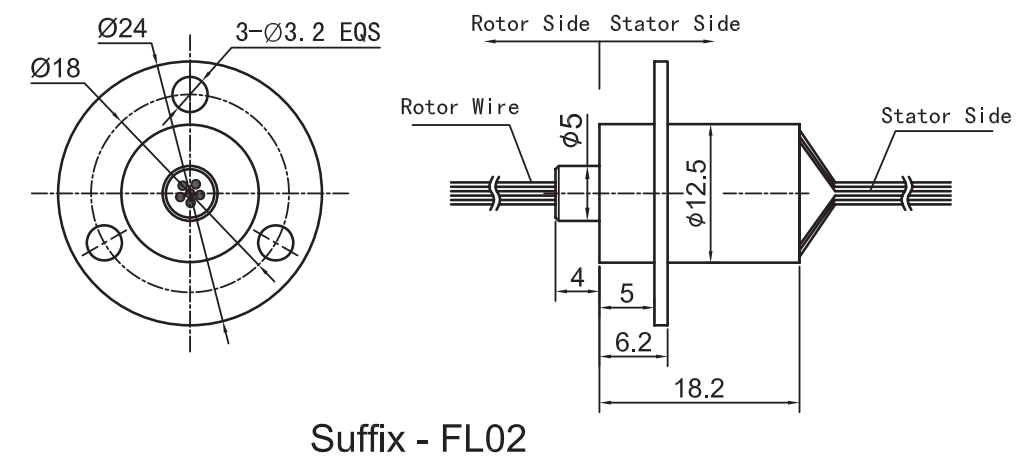
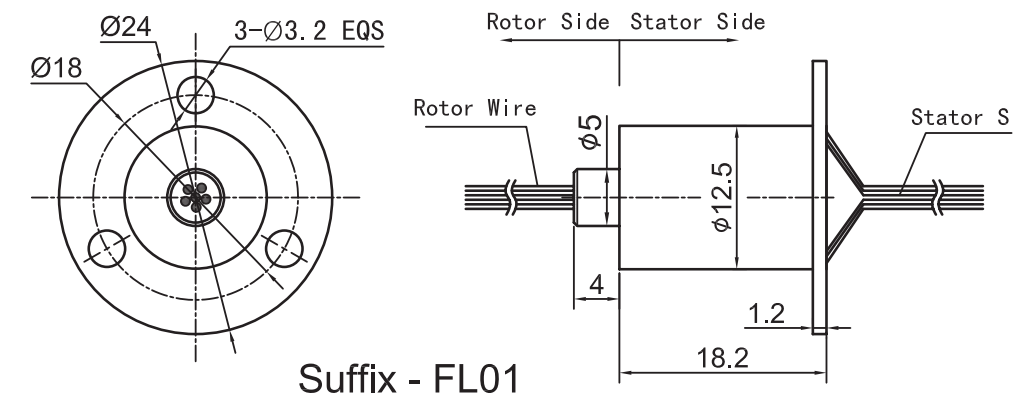
Lead wire Color codes					
Rings#	Color Code	Rings#	Color Code	Rings#	Color Code
1	BLK	3	RED	5	YEL
2	BRN	4	ORN	6	GRN

#### Optional Flanges drawings:

At sometimes, we need a different flange for mounting instead, how should we do?

Great! Moflon supply many flange style as below:

(when you order, pls add FL01 ... FL06 at the suffix of Part#, for example: MMC182-06S-FL01 means MMC182-06S with optional flange FL01.)



### Specifications

PART #	OD * L	SIGNAL/2A	4A	8A	15A	TOTAL WIRES	DOWNLOAD
MMC182	12.5mm*18.2mm	6	0	0	0	6	

#### Shared Specifications

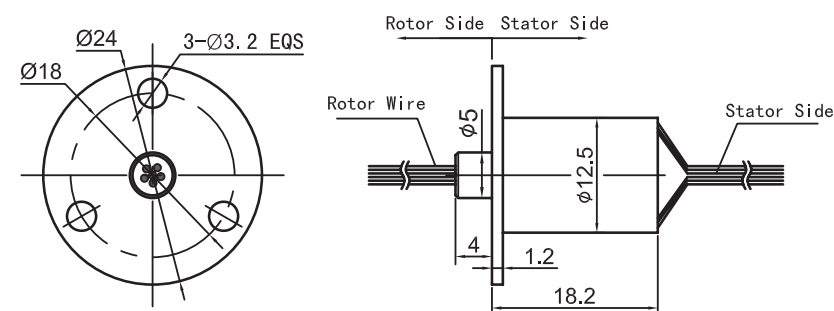
Wires	6(see table as above)	Current	Signal(2A)
Voltage	240 VDC/VAC	Max speed	250RPM
Overall diameter	12.5mm(0.49")	Length	18.2mm(0.72")
Contact Material	Precious Metal:gold-gold	Contact Resistance	<150mOhm(AWG28#,250mm)
Housing Material	Plastics	Torque	0.02N.m
Working life	50million	Electrical noise	<10mΩ
Dielectric strength	600VDC@50Hz	Lead Wire	UL Teflon® Awg28
Insulation resistance	1000MΩ@500VDC	Lead Lengths	250mm
Operating Temp.	-40°C to 80°C	Protection	IP51
Mechanical vibration	MIL-SID-810E	Humidity	10% to 90% RH
Materials	Lead Free,RoHS compliant	CE Certified	YES

#### Notes:

- 1)The operational life of the unit is dependent upon rotational speed, environment and temperature.
- 2)Lead Wire size: 2A/signal -> AWG30, colored code.
- 3)Electrical noise is dependent upon the rotating speed and current,voltage.

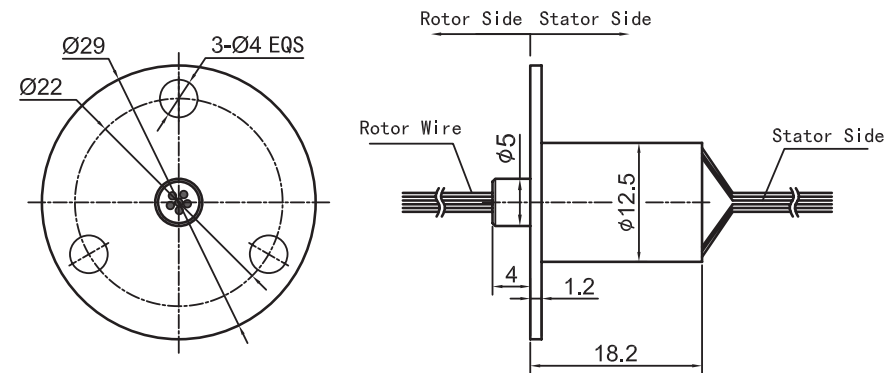
### Drawings

Standard drawings:

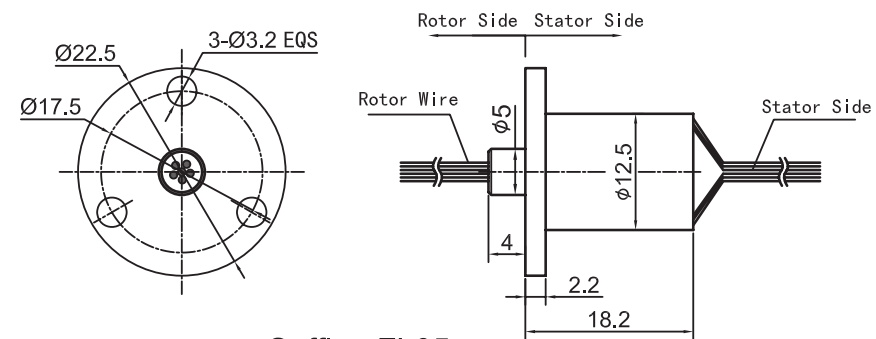


MMC182

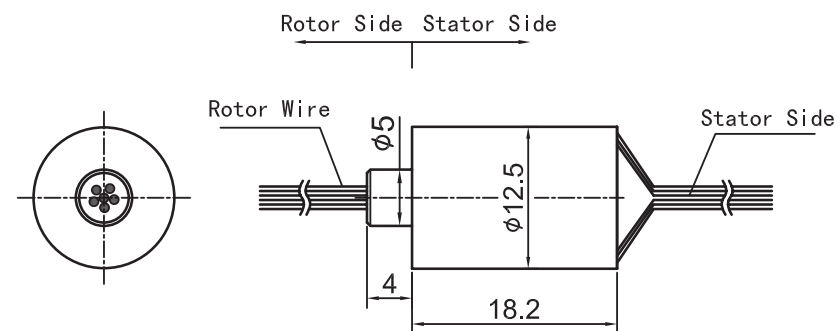




Suffix - FL04



Suffix - FL05



Suffix - FL06

### Options

- ▶ MMC1829 is the high-end version corresponding to MMC182.
- ▶ Optional flange mounting.
- ▶ Specified connectors and Heat-shrink tube.
- ▶ Longer lead lengths available.
- ▶ High temperature is optional.
- ▶ Military Grade.

### Application

CCTV Monitoring System.  
 Electrical test equipment.  
 Medical equipment.  
 Rotary table  
 Robotics  
 Laboratory equipment  
 Manufacturing and process control equipment