

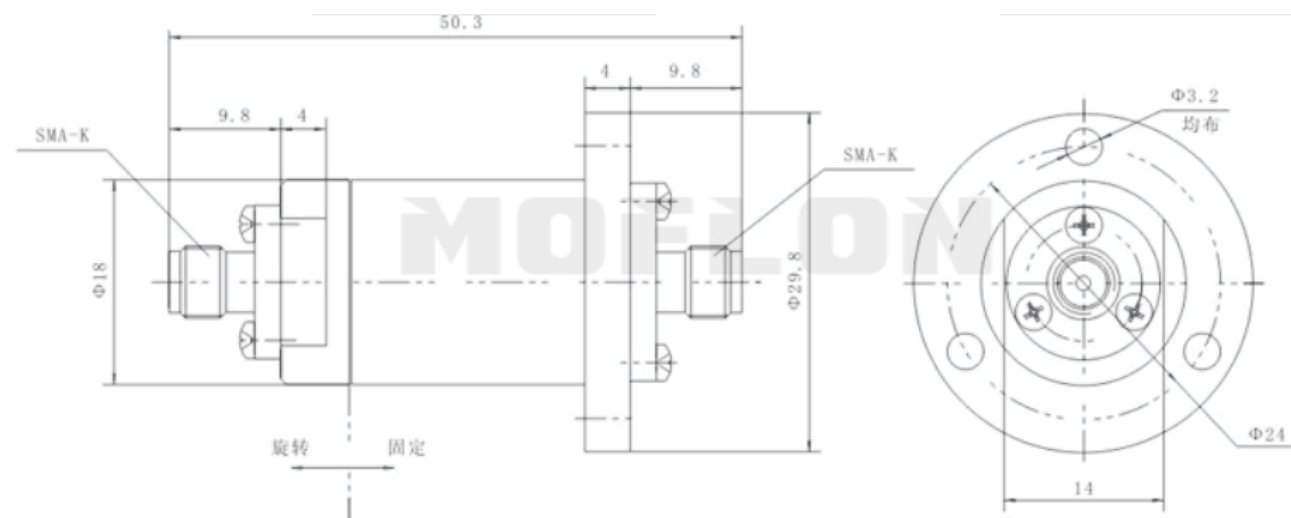
MHF100 (1 channel RF Rotary joints)

MHF100 slip rings are small and compact RF Rotary joints, standard, off-the-shelf. It could support 1 channel High Frequency max 18Ghz transmitting on 360° rotating, with SMA connectors.



Specifications

PART #	CHANNEL	FREQUENCY	CONNECTORS
MHF100	1	DC-18GHz	SMA
(RF Rotary joints) Specifications			
Max speed	60RPM	Torque	0.5N.m
Frequency	0-18Ghz	Insertion loss	0.3dB
Insertion loss ripple	0.05dB	VSWR	≤ 1.3
VSWR ripple	0.05	Start up torque	0.1N.m
Estimated life cycle	100 million	Housing materia	Stainless steel
Working temperature	-40 to 85 °C	Storage temperature	-50 to 85 °C
IP rating	IP 68	Weight	50g



MHF100-N (1 channel RF Rotary joints)

MHF100-N slip rings are small and compact RF Rotary joints, standard, off-the-shelf. It could support 1 channel High Frequency max 18Ghz transmitting on 360° rotating, with N-type connector on both end



Specifications

PART #	CHANNEL	FREQUENCY	CONNECTORS
MHF100	1	DC-18GHz	N-type
(RF Rotary joints) Specifications			
Max speed	60RPM	Torque	0.1N.m
Frequency	0-18Ghz	Insertion loss	0.35dB
Insertion loss ripple	0.05dB	VSWR	≤ 1.3
VSWR ripple	0.05	Start up torque	0.1N.m
Estimated life cycle	100 million	Housing materia	Stainless steel
Working temperature	-40 to 85 °C	Storage temperature	-50 to 85 °C
IP rating	IP 68	Weight	50g

