

MG120 Series

Body Diameter 120mm, Standard IP65

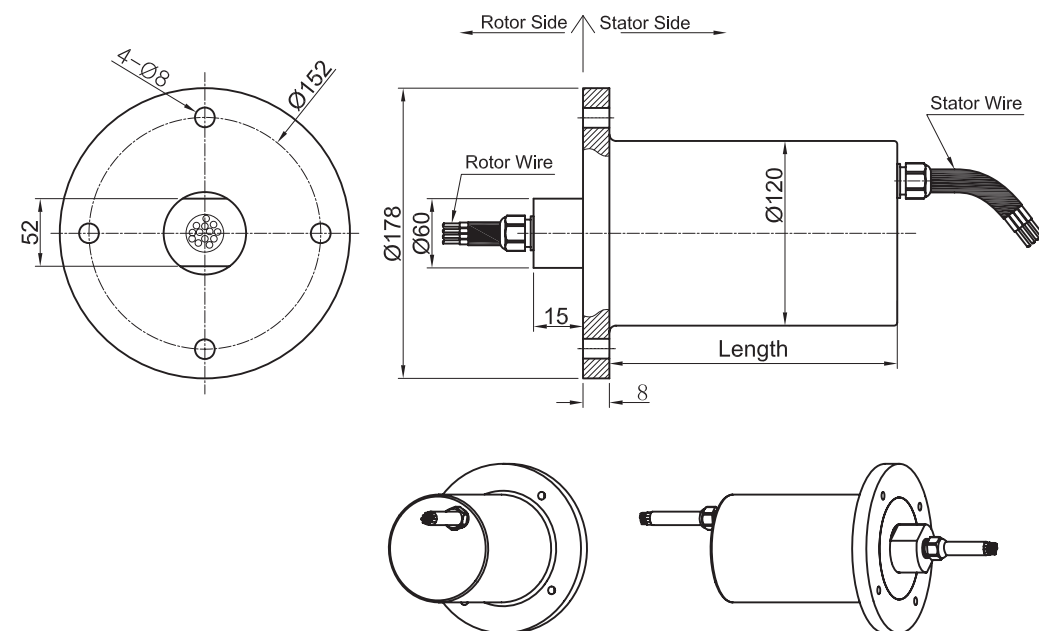
MG120 series provides stator flange for installation or end of shaft for installation, and a compact 90mm body diameter, features long life, fiber brush contact technology for ultimate performance in many challenging applications.

MG120 series are standard, off-the-shelf products, Color-coded lead wires are used on both the stator and rotor for simplified electrical connections. It can transmit signal(2A), 10A, current at max 600VAC/VDC



Specifications			
Circuits	1~96(see next page)	Current	Signal(2A),10A/Rings
Voltage	600 VDC/VAC	Max speed	600RPM
Housing Material	Aluminium Alloy	Torque	0.5N.m+0.03N.m/6rings
Working life	>80million revolutions	Contact material	Precious Metal:Gold-Gold
Electrical noise	<5 mOhm	Contact Resistance	<2mOhm
Dielectric strength	1000VDC@50Hz	Lead Wire	UL Teflon® Awg22,Awg16
Insulation resistance	1000MΩ@600VDC	Lead Lengths	300mm(12")
Operating Temp.	-40°C to 80°C	Protection	IP65. IP68 on request
Mechanical vibratio	MIL-SID-810E	Humidity	10% to 95% RH
Materials	Lead Free,RoHS compliant	Certified	YES

Drawings



Parts List

***Please note: 10A rings parallel can be used as multiple 10A current.
For Example: 2 rings parallel could be used as 1 wires 20A**

MG12006 (Length=59mm)					
Parts#	Power 10A	signal/2A	Parts#	Power 10A	signal/2A
MG12006-0600	6	0	MG12006-0006	0	6
MG12006-0204	2	4	MG12006-0402	4	2

MG12012 (Length=82mm)					
Parts#	Power 10A	signal/2A	Parts#	Power 10A	signal/2A
MG12012-1200	12	0	MG12012-0012	0	12
MG12012-0210	2	10	MG12012-0408	4	8
MG12012-0606	6	6	MG12012-0804	8	4
MG12012-1002	10	2			

MG12018 (Length=104.8mm)					
Parts#	Power 10A	signal/2A	Parts#	Power 10A	signal/2A
MG12018-1800	18	0	MG12018-0018	0	18
MG12018-0216	2	16	MG12018-0414	4	14
MG12018-0612	6	12	MG12018-0810	8	10
MG12018-1008	10	8	MG12018-1206	12	6
MG12018-1404	14	4	MG12018-1602	16	2

MG12024 (Length=127.5mm)					
Parts#	Power 10A	signal/2A	Parts#	Power 10A	signal/2A
MG12024-2400	24	0	MG12024-0024	0	24
MG12024-0618	6	18	MG12024-1212	12	12
MG12024-1806	18	6			

MG12030 (Length=150.4mm)					
Parts#	Power 10A	signal/2A	Parts#	Power 10A	signal/2A
MG12030-3000	30	0	MG12030-0030	0	30
MG12030-0624	6	24	MG12030-1218	12	18
MG12030-1812	18	12	MG12030-2406	24	6

MG12036 (Length=173mm)					
Parts#	Power 10A	signal/2A	Parts#	Power 10A	signal/2A
MG12036-3600	36	0	MG12036-0036	0	36
MG12036-0630	6	30	MG12036-1224	12	24
MG12036-1818	18	18	MG12036-2412	24	12
MG12036-3006	30	6			

MG12042 (Length=196mm)					
Parts#	Power 10A	signal/2A	Parts#	Power 10A	signal/2A
MG12042-4200	42	0	MG12042-0042	0	42
MG12042-0636	6	36	MG12042-1230	12	30
MG12042-1824	18	24	MG12042-2418	24	18
MG12042-3012	30	12	MG12042-3606	36	6

MG12048 (Length=218.8mm)					
Parts#	Power 10A	signal/2A	Parts#	Power 10A	signal/2A
MG12048-4800	48	0	MG12048-0048	0	48
MG12048-0642	6	42	MG12048-1236	12	36
MG12048-1830	18	30	MG12048-2424	24	24
MG12048-3018	30	18	MG12048-3612	36	12
MG12048-4206	42	6			

MG12056 (Length=249mm)					
Parts#	Power 10A	signal/2A	Parts#	Power 10A	signal/2A
MG12056-5600	56	0	MG12056-0056	0	56
MG12056-0650	6	50	MG12056-1244	12	44
MG12056-1838	18	38	MG12056-2432	24	32
MG12056-3620	36	20	MG12056-4808	48	8

MG12072 (Length=310mm)					
Parts#	Power 10A	signal/2A	Parts#	Power 10A	signal/2A
MG12072-7200	72	0	MG12072-0072	0	72
MG12072-1260	12	60	MG12072-2448	24	48
MG12072-3042	30	42	MG12072-3636	36	36
MG12072-4824	48	24	MG12072-6012	60	12

MG12096 (Length=401mm)					
Parts#	Power 10A	signal/2A	Parts#	Power 10A	signal/2A
MG12096-9600	96	0	MG12096-0096	0	96
MG12096-1284	12	84	MG12096-2472	24	72
MG12096-3660	36	60	MG12096-4848	48	48
MG12096-6036	60	36	MG12096-7224	72	24