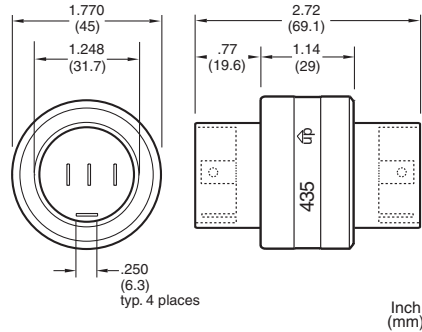


# 4, 6 & 8 CONDUCTORS

## Model 435

MODEL NO.	CONDUCTORS	DESCRIPTION	VOLTAGE AC/DC	AMP RATING AT 500 VAC	MAX FREQ. MHz	CONTACT RESISTANCE	MAX OP. RPM	TEMPERATURE Max. F (C) / Min. F (C)	ROTATION Torque (gm-cm)	CIRCUIT SEPARATION
435	4	High Voltage Model	0-500	30	100	<1m?	300	140(60)/-20(-29)	850	>50M?
435-SS	4	High Voltage Stainless Steel Bearing	0-500	30	100	<1m?	300	140(60)/-20(-29)	850	>50M?



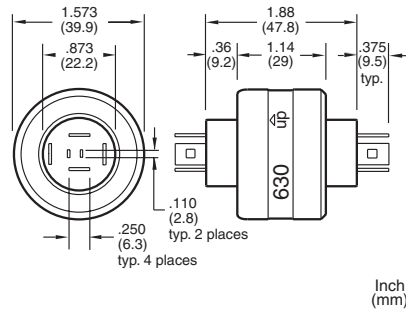
### Accessories



Terminals for other wire gauges available.

## Model 630

MODEL NO.	CONDUCTORS	DESCRIPTION	VOLTAGE AC/DC	AMP RATING AT 240 VAC	MAX FREQ. MHz	CONTACT RESISTANCE	MAX OP. RPM	TEMPERATURE Max. F (C) / Min. F (C)	ROTATION Torque (gm-cm)	CIRCUIT SEPARATION
630	6	Standard Model	0-250	2 @ 4/4 @ 30	100	<1m?	300	140(60)/-20(-29)	700	>25M?
630-SS	6	Stainless Steel Bearing	0-250	2 @ 4/4 @ 30	100	<1m?	300	140(60)/-20(-29)	700	>25M?



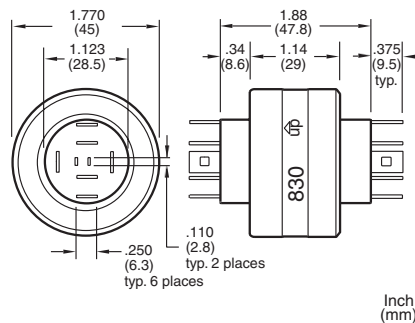
### Accessories



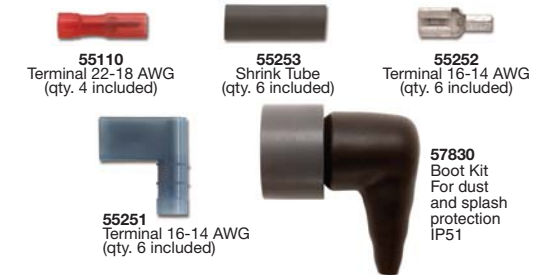
Terminals for other wire gauges available.

## Model 830

MODEL NO.	CONDUCTORS	DESCRIPTION	VOLTAGE AC/DC	AMP RATING AT 240 VAC	MAX FREQ. MHz	CONTACT RESISTANCE	MAX OP. RPM	TEMPERATURE Max. F (C) / Min. F (C)	ROTATION Torque (gm-cm)	CIRCUIT SEPARATION
830	8	Standard Model	0-250	2 @ 4/6 @ 30	100	<1m?	200	140(60)/-20(-29)	1000	>25M?
830-SS	8	Stainless Steel Bearing	0-250	2 @ 4/6 @ 30	100	<1m?	200	140(60)/-20(-29)	1000	>25M?



### Accessories



Terminals for other wire gauges available.

