

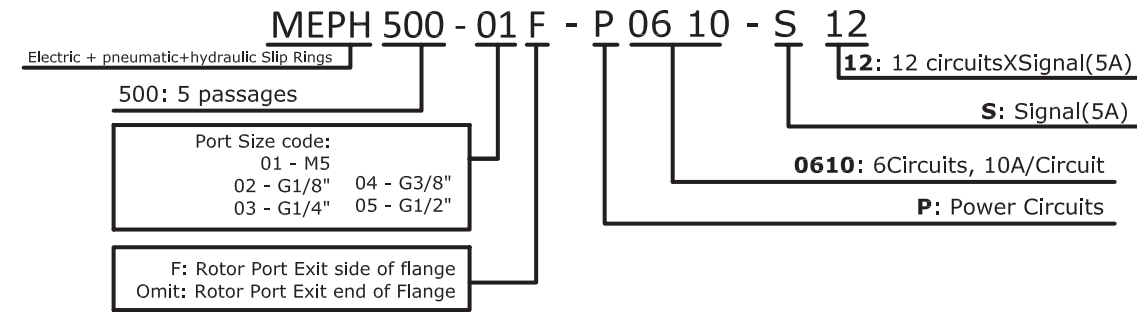
MEPH500(5 PASSAGE+Electric)



MEPH500 slip rings, 5 passageway Pneumatic/Hydraulic, are specialized slip rings solutions, it can combine with power,signal,Ethernet,USB,Devicenet,Control Net,Canbus on request! It also could be mounted by shaft or optional flange mounting.

Connection Size:M5,G1/8",G1/4",G3/8",G1/2"

Media Types: Air/Gas, Chemical, DI / Tap Water, Oil, Water/Glycol.



Parts# in stock

Parts#	Passage(Way)	Torque(N.m)	Passage Size
MEPH500-01	5	1.2N.m	M5
MEPH500-01F	5	1.2N.m	M5
MEPH500-02	5	2.5N.m	G 1/8"
MEPH500-02F	5	2.5N.m	G 1/8"
MEPH500-03	5	4N.m	G 1/4"
MEPH500-03F	5	4N.m	G 1/4"
MEPH500-04	5	7N.m	G 3/8"
MEPH500-04F	5	7N.m	G 3/8"
MEPH500-05	5	9N.m	G 1/2"
MEPH500-05F	5	9N.m	G 1/2"

Parts# - Combine with Electrical Circuits

Parts#	Passage(Way)	10A	Signal/5A	RingNum
MEPH500-XXX	5	0	0	0
MEPH500-XXX-S06	5	0	6	6
MEPH500-XXX-P0610	5	6	0	6
MEPH500-XXX-S12	5	0	12	12
MEPH500-XXX-P0610-S06	5	6	6	12
MEPH500-XXX-P1210	5	12	0	12
MEPH500-XXX-S18	5	0	18	18
MEPH500-XXX-P0610-S12	5	6	12	18
MEPH500-XXX-P1210-S06	5	12	6	18
MEPH500-XXX-P1810	5	18	0	18
MEPH500-XXX-S24	5	0	24	24
MEPH500-XXX-P0610-S18	5	6	18	24
MEPH500-XXX-P1210-S12	5	12	12	24
MEPH500-XXX-P1810-S06	5	18	6	24
MEPH500-XXX-P2410	5	24	0	24
MEPH500-XXX-S30	5	0	30	30
MEPH500-XXX-S36	5	0	36	36
MEPH500-XXX-S48	5	0	48	48
MEPH500-XXX-S60	5	0	60	60
MEPH500-XXX-S72	5	0	72	72

Specifications

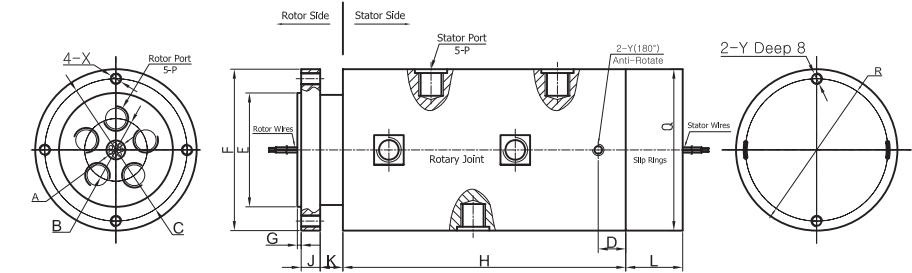
Rotary Joints Specifications

PassageWay	5	Max Pressure	1500PSI(100BAR)
Max. Vacuum	10HG	Max Speed	500RPM
Material Type	Aluminum	Temperature	-40° C to 105° C

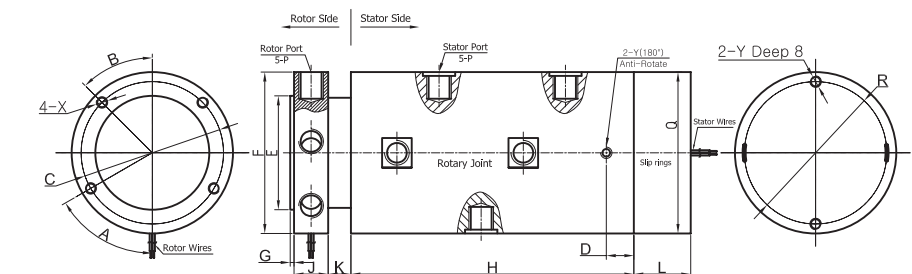
Electrical Specifications

Rating voltage	600 VDC/VAC	Contact material	Precious Metal:Gold-Gold
Dielectric strength	1000VDC@50Hz	Lead Wire	UL Teflon®
Insulation resistance	1000MΩ@600VDC	Lead Lengths	250mm
Operating Temp.	-40°C to 80°C	Protection	IP51
Mechanical vibratio	MIL-SID-810E	Humidity	10% to 90% RH
Materials	Lead Free,RoHS compliant	CE Certified	YES

Drawings



Size Code Part#	A	B	C	D	E	F	G	H	J	K	Q	R	P	X	Y	L
MEPH500-01	φ10	φ20	φ51	12.5	φ40	φ60	2	89.5	5	12	φ60	φ51	M5	M5	M4	21.2+2.8XRingNum
MEPH500-02	φ10	φ28	φ61	13	φ50	φ70	2	120	7	12	φ70	φ61	G1/8	M5	M5	21.2+2.8XRingNum
MEPH500-03	φ10	φ33	φ75	14.5	φ60	φ85	2	149	10	12	φ85	φ75	G1/4	M6	M6	24.5+3.4XRingNum
MEPH500-04	φ10	φ36.5	φ82	14.5	φ65	φ94	2	171	10	12	φ94	φ82	G3/8	M6	M6	24.5+3.4XRingNum
MEPH500-05	φ10	φ46	φ102	14.5	φ85	φ114	2	194.5	10	12	φ114	φ102	G1/2	M6	M6	24.5+3.4XRingNum



Size Code Part#	A	B	C	D	E	F	G	H	J	K	Q	R	P	X	Y	L
MEPH500-01F	45°	65°	φ51	12.5	φ40	φ60	2	89.5	9	12	φ60	φ51	M5	M5	M4	21.2+2.8XRingNum
MEPH500-02F	36°	60°	φ61	13	φ50	φ70	2	120	15	12	φ70	φ61	G1/8	M5	M5	21.2+2.8XRingNum
MEPH500-03F	45°	60°	φ75	14.5	φ60	φ85	2	149	18	12	φ85	φ75	G1/4	M6	M6	24.5+3.4XRingNum
MEPH500-04F	45°	60°	φ82	14.5	φ65	φ94	2	171	23	12	φ94	φ82	G3/8	M6	M6	24.5+3.4XRingNum
MEPH500-05F	45°	60°	φ102	14.5	φ85	φ114	2	194.5	27	12	φ114	φ102	G1/2	M6	M6	24.5+3.4XRingNum