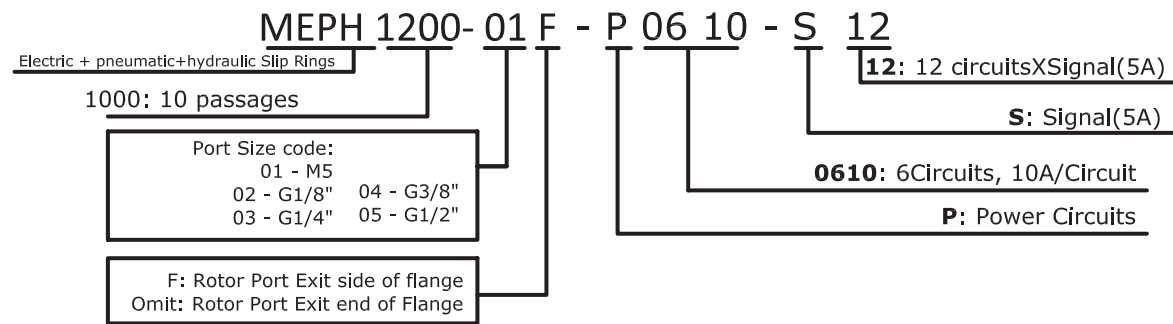


## MEPH1200(12 PASSAGE+Electric)

MEPH1200 slip rings, 12 passageway Pneumatic/Hydraulic, are specialized slip rings solutions, it can combine with power,signal,Ethernet,USB,Devicenet,Control Net,Canbus on request! It also could be mounted by shaft or optional flange mounting.

Connection Size:M5,G1/8",G1/4",G3/8",G1/2"

Media Types: Air/Gas, Chemical, DI / Tap Water, Oil, Water/Glycol.



### Parts# in stock

Parts#	Passage(Way)	Torque(N.m)	Passage Size
MEPH1200-01	12	5N.m	M5
MEPH1200-01F	12	5N.m	M5
MEPH1200-02	12	7N.m	G 1/8"
MEPH1200-02F	12	7N.m	G 1/8"
MEPH1200-03	12	10N.m	G 1/4"
MEPH1200-03F	12	10N.m	G 1/4"

Parts# - Combine with Electricl Circuits

Parts#	Passage(Way)	10A	Signal/5A	RingNum
MEPH1200-XXX	12	0	0	0
MEPH1200-XXX-S06	12	0	6	6
MEPH1200-XXX-P0610	12	6	0	6
MEPH1200-XXX-S12	12	0	12	12
MEPH1200-XXX-P0610-S06	12	6	6	12
MEPH1200-XXX-P1210	12	12	0	12
MEPH1200-XXX-S18	12	0	18	18
MEPH1200-XXX-P0610-S12	12	6	12	18
MEPH1200-XXX-P1210-S06	12	12	6	18
MEPH1200-XXX-P1810	12	18	0	18
MEPH1200-XXX-S24	12	0	24	24
MEPH1200-XXX-P0610-S18	12	6	18	24
MEPH1200-XXX-P1210-S12	12	12	12	24
MEPH1200-XXX-P1810-S06	12	18	6	24
MEPH1200-XXX-P2410	12	24	0	24
MEPH1200-XXX-S30	12	0	30	30
MEPH1200-XXX-S36	12	0	36	36
MEPH1200-XXX-S48	12	0	48	48
MEPH1200-XXX-S60	12	0	60	60
MEPH1200-XXX-S72	12	0	72	72

### Specifications

#### Rotary Joints Specifications

PassageWay	12	Max Pressure	1500PSI(100BAR)
Max. Vacuum	10HG	Max Speed	500RPM
Material Type	Aluminum	Temperature	-40° C to 105° C

#### Electrical Specifications

Rating voltage	600 VDC/VAC	Contact material	Precious Metal:Gold-Gold
Dielectric strength	1000VDC@50Hz	Lead Wire	UL Teflon®
Insulation resistance	1000MΩ@600VDC	Lead Lengths	250mm
Operating Temp.	- 40°C to 80°C	Protection	IP51
Mechanical vibratio	MIL-SID-810E	Humidity	10% to 90% RH
Materials	Lead Free,RoHS compliant	CE Certified	YES

### Drawings