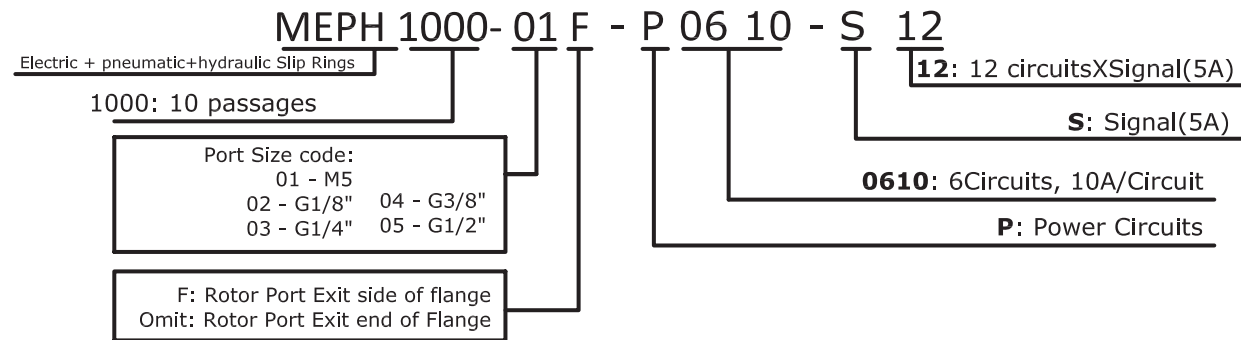


MEPH1000(1 PASSAGE+Electric)

MEPH1000 slip rings, 10 passageway Pneumatic/Hydraulic, are specialized slip rings solutions, it can combine with power, signal, Ethernet, USB, Devicenet, Control Net, Canbus on request! It also could be mounted by shaft or optional flange mounting.

Connection Size: M5, G1/8", G1/4", G3/8", G1/2"

Media Types: Air/Gas, Chemical, DI / Tap Water, Oil, Water/Glycol.



Parts# in stock

Parts#	Passage(Way)	Torque(N.m)	Passage Size
MEPH1000-01	10	3.5N.m	M5
MEPH1000-01F	10	3.5N.m	M5
MEPH1000-02	10	5.5N.m	G 1/8"
MEPH1000-02F	10	5.5N.m	G 1/8"
MEPH1000-03	10	8N.m	G 1/4"
MEPH1000-03F	10	8N.m	G 1/4"

Parts# - Combine with Electricl Circuits

Parts#	Passage(Way)	10A	Signal/5A	RingNum
MEPH1000-XXX	10	0	0	0
MEPH1000-XXX-S06	10	0	6	6
MEPH1000-XXX-P0610	10	6	0	6
MEPH1000-XXX-S12	10	0	12	12
MEPH1000-XXX-P0610-S06	10	6	6	12
MEPH1000-XXX-P1210	10	12	0	12
MEPH1000-XXX-S18	10	0	18	18
MEPH1000-XXX-P0610-S12	10	6	12	18
MEPH1000-XXX-P1210-S06	10	12	6	18
MEPH1000-XXX-P1810	10	18	0	18
MEPH1000-XXX-S24	10	0	24	24
MEPH1000-XXX-P0610-S18	10	6	18	24
MEPH1000-XXX-P1210-S12	10	12	12	24
MEPH1000-XXX-P1810-S06	10	18	6	24
MEPH1000-XXX-P2410	10	24	0	24
MEPH1000-XXX-S30	10	0	30	30
MEPH1000-XXX-S36	10	0	36	36
MEPH1000-XXX-S48	10	0	48	48
MEPH1000-XXX-S60	10	0	60	60
MEPH1000-XXX-S72	10	0	72	72

Specifications

Rotary Joints Specifications

PassageWay	10	Max Pressure	1500PSI(100BAR)
Max. Vacuum	10HG	Max Speed	500RPM
Material Type	Aluminum	Temperature	-40° C to 105° C

Electrical Specifications

Rating voltage	600 VDC/VAC	Contact material	Precious Metal:Gold-Gold
Dielectric strength	1000VDC@50Hz	Lead Wire	UL Teflon®
Insulation resistance	1000MΩ@600VDC	Lead Lengths	250mm
Operating Temp.	- 40°C to 80°C	Protection	IP51
Mechanical vibratio	MIL-SID-810E	Humidity	10% to 90% RH
Materials	Lead Free,RoHS compliant	CE Certified	YES

Drawings