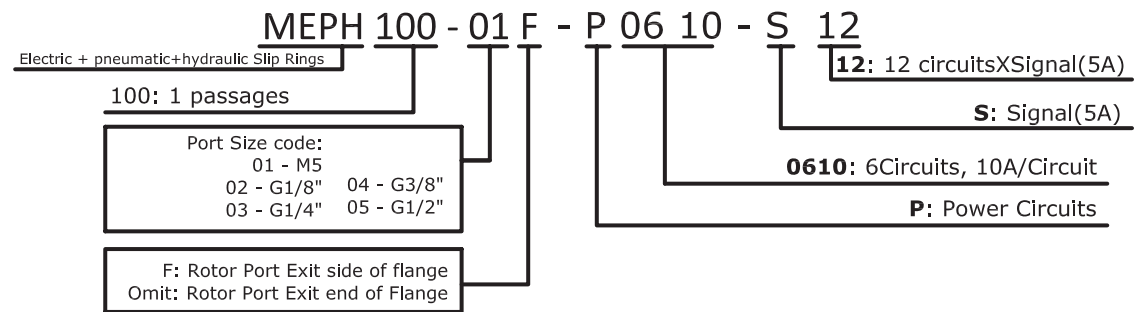


MEPH100(1 PASSAGE+Electric)

MEPH100 slip rings, 1 passageway Pneumatic/Hydraulic, are specialized slip rings solutions, it can combine with power,signal,Ethernet,USB,Devicenet,Control Net,Canbus on request! It also could be mounted by shaft or optional flange mounting.

Connection Size:M5,G1/8",G1/4",G3/8",G1/2"

Media Types: Air/Gas, Chemical, DI / Tap Water, Oil, Water/Glycol.



Parts# in stock

Parts#	Passage(Way)	Torque(N.m)	Passage Size
MEPH100-01	1	0.3N.m	M5
MEPH100-01F	1	0.3N.m	M5
MEPH100-02	1	0.8N.m	G 1/8"
MEPH100-02F	1	0.8N.m	G 1/8"
MEPH100-03	1	1.5N.m	G 1/4"
MEPH100-03F	1	1.5N.m	G 1/4"
MEPH100-04	1	3N.m	G 3/8"
MEPH100-04F	1	3N.m	G 3/8"
MEPH100-05	1	4N.m	G 1/2"
MEPH100-05F	1	4N.m	G 1/2"

Parts# - Combine with Electricl Circuits

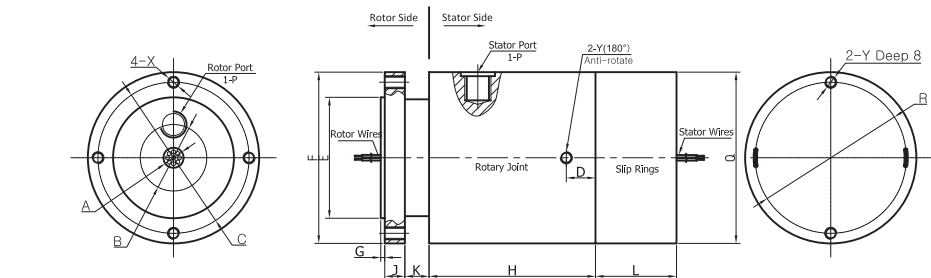
Parts#	Passage(Way)	10A	Signal/5A	RingNum
MEPH100-XXX	1	0	0	0
MEPH100-XXX-S06	1	0	6	6
MEPH100-XXX-P0610	1	6	0	6
MEPH100-XXX-S12	1	0	12	12
MEPH100-XXX-P0610-S06	1	6	6	12
MEPH100-XXX-P1210	1	12	0	12
MEPH100-XXX-S18	1	0	18	18
MEPH100-XXX-P0610-S12	1	6	12	18
MEPH100-XXX-P1210-S06	1	12	6	18
MEPH100-XXX-P1810	1	18	0	18
MEPH100-XXX-S24	1	0	24	24
MEPH100-XXX-P0610-S18	1	6	18	24
MEPH100-XXX-P1210-S12	1	12	12	24
MEPH100-XXX-P1810-S06	1	18	6	24
MEPH100-XXX-P2410	1	24	0	24
MEPH100-XXX-S30	1	0	30	30
MEPH100-XXX-S36	1	0	36	36
MEPH100-XXX-S48	1	0	48	48
MEPH100-XXX-S60	1	0	60	60
MEPH100-XXX-S72	1	0	72	72

Specifications

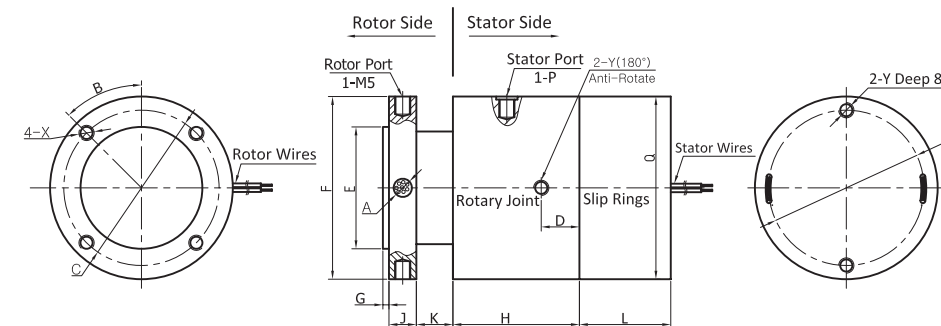
Rotary Joints Specifications			
PassageWay	1	Max Pressure	1500PSI(100BAR)
Max. Vacuum	10HG	Max Speed	500RPM
Material Type	Aluminum	Temperature	-40° C to 105° C

Electrical Specifications			
Rating voltage	600 VDC/VAC	Contact material	Precious Metal:Gold-Gold
Dielectric strength	1000VDC@50Hz	Lead Wire	UL Teflon®
Insulation resistance	1000MΩ@600VDC	Lead Lengths	250mm
Operating Temp.	- 40°C to 80°C	Protection	IP51
Mechanical vibratio	MIL-SID-810E	Humidity	10% to 90% RH
Materials	Lead Free,RoHS compliant	CE Certified	YES

Drawings



Size Code Part#	A	B	C	D	E	F	G	H	J	K	Q	R	P	X	Y	L
MEPH100-01	φ10	φ20	φ51	12.5	φ40	φ60	2	42.5	5	12	φ60	φ51	M5	M5	M4	21.2+2.8XRingNum
MEPH100-02	φ10	φ28	φ61	13	φ50	φ70	2	49.5	7	12	φ70	φ61	G1/8	M5	M5	21.2+2.8XRingNum
MEPH100-03	φ10	φ33	φ75	14.5	φ60	φ85	2	59.5	10	12	φ85	φ75	G1/4	M6	M6	24.5+3.4XRingNum
MEPH100-04	φ10	φ36.5	φ82	14.5	φ65	φ94	2	65.5	10	12	φ94	φ82	G3/8	M6	M6	24.5+3.4XRingNum
MEPH100-05	φ10	φ41	φ97	14.5	φ80	φ109	2	70.5	10	12	φ109	φ97	G1/2	M6	M6	24.5+3.4XRingNum



Size Code Part#	A	B	C	D	E	F	G	H	J	K	Q	R	P	X	Y	L
MEPH100-01F	φ10	45°	φ51	12.5	φ40	φ60	2	42.5	9	12	φ60	φ51	M5	M5	M4	21.2+2.8XRingNum
MEPH100-02F	φ10	45°	φ61	13	φ50	φ70	2	49.5	15	12	φ70	φ61	G1/8	M5	M5	21.2+2.8XRingNum
MEPH100-03F	φ10	45°	φ75	14.5	φ60	φ85	2	59.5	18	12	φ85	φ75	G1/4	M6	M6	24.5+3.4XRingNum
MEPH100-04F	φ10	45°	φ82	14.5	φ65	φ94	2	65.5	23	12	φ94	φ82	G3/8	M6	M6	24.5+3.4XRingNum
MEPH100-05F	φ10	45°	φ97	14.5	φ80	φ109	2	70.5	27	12	φ109	φ97	G1/2	M6	M6	24.5+3.4XRingNum