

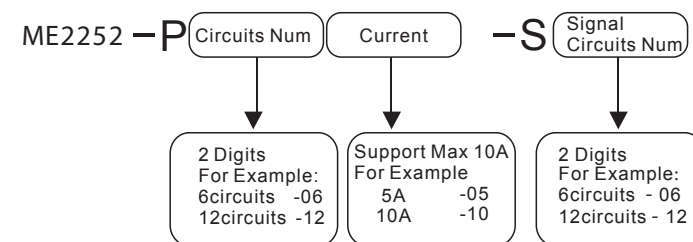
Options

- Can combine more wires:1-96Ring
- Specified connectors and Heat-shrink tube.
- Longer lead lengths available.
- Shielded cables
- Connectors
- Frequencies up to 500 MHz
- High-speed data transmission for fast Ethernet and EtherCat
- Signal, Coax, and Power combinations
- Thermocouples
- Shock, Vibration, and Temperature Qualified
- Pneumatic/Hydraulic Capability
- High temperature---up to 450 degree
- High Voltage & large Current(1000A)
- Military Grade.

Build On Request

how to build on request?

Please see ordering information instructions as below :



For example:

- if order ME2252 with 6wires*signal, the model should be ME2252-S06.
- if order ME2252 with 12wires*signal + 3wires*10A, the model should be ME2252-P0310-S12
- if you have other optional requirements, such as lead wire length, connectors, military grade, Please descrip in your email.

After Finishing above, pls send email to us: technical@moflon.com for further technical support.

ME2381 (1000M baseT Ethernet)

ME2381, support 1 channel 1000M baseT ethernet slip rings, with through bore size 38.1mm(1.5"), overall diameter 99mm, are standard, off-the-shelf, Color-coded lead wires are used on both the stator and rotor for simplified electrical connections.



PART# Explanation:

ME2381 - P0610 - S06

S06: signal/2A each @ 6 circuits

P0610: 10A each @ 6 circuits

Specifications

PART #	OD *L	SIGNAL/5A	10A	20A	1000M BASET
ME2381-S04	86mm*72mm	4	0	0	1
ME2381-P0410	86mm*72mm	0	4	0	1
ME2381-P0420	86mm*80mm	0	0	4	1
ME2381-S10	86mm*96mm	10	0	0	1
ME2381-P0210-S08	86mm*96mm	8	2	0	1
ME2381-P0610-S04	86mm*96mm	4	6	0	1
ME2381-S16	86mm*120mm	16	0	0	1
ME2381-P1610	86mm*120mm	0	0	0	1
ME2381-P0410-S12	86mm*120mm	12	4	0	1
ME2381-P0810-S08	86mm*120mm	8	8	0	1
ME2381-S22	86mm*144mm	16	0	0	1
ME2381-P0410-S18	86mm*144mm	18	4	0	1
ME2381-2210	86mm*144mm	0	22	0	1

Ethernet Specifications

Ethernet	1000M baseT	Ethernet connectors	Rj45
BER	10E-11	Insert loss	2db

Power/signal Specifications

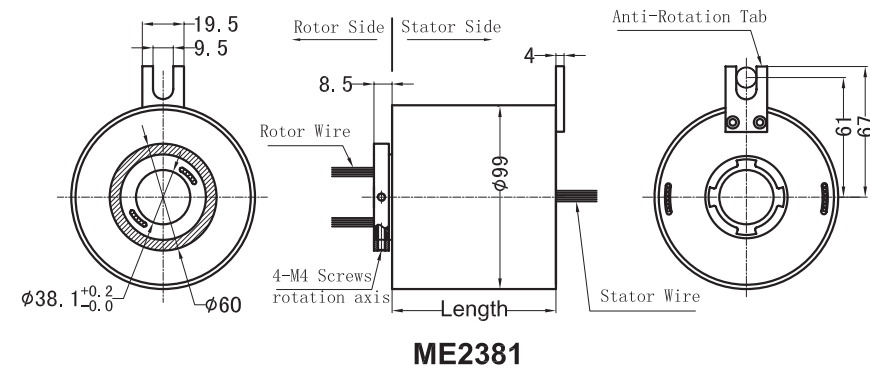
Rating voltage	0~600 VDC/VAC	Contact material	Precious Metal:Gold-Gold
Dielectric strength	1000VDC@50Hz	Lead Wire	CAT6,AWG#22,#16
Insulation resistance	1000MΩ@600VDC	Lead Lengths	250mm
Operating Temp.	- 40°C to 80°C	Protection	Ip51
Max Speed	1000RPM	Humidity	10% to 90% RH
Materials	Lead Free,RoHS compliant	CE Certified	YES

Notes:

- The operational life of the unit is dependent upon rotational speed, environment and temperature.
- Lead Wire size: 5A/signal -> AWG22, 10A -> AWG16, 20A -> Awg14, colored code.
- Electrical noise is dependent upon the rotating speed and current, voltage.

Drawings

Standard drawings:



12 wires for one group color. from 13 ... 24, repeat the same color as 1 ... 12, indicated with number code pipe.

Lead wire Color codes

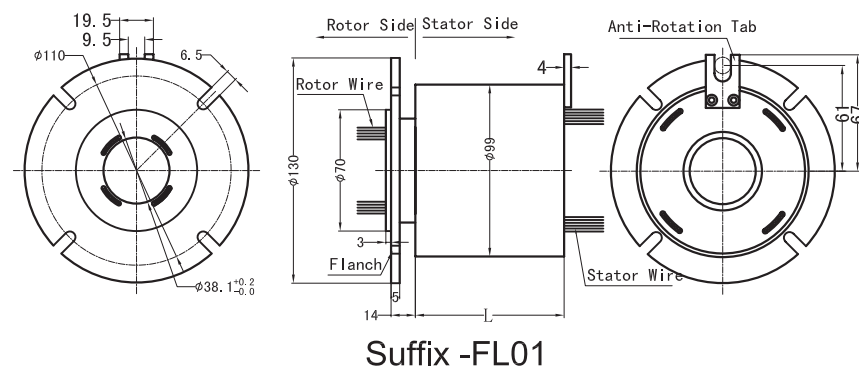
Rings#	Color Code	Rings#	Color Code	Rings#	Color Code
1	BLK	5	YEL	9	GRY
2	BRN	6	GRN	10	WHT
3	RED	7	BLU	11	PINK
4	ORN	8	PURPLE	12	AZURY

Optional Flanges mounting:

At sometimes, we need a different flange for mounting instead, how should we do?

Great! Moflon supply flange style as below:

(when you order, pls add FL01 at the suffix of Part#, for example: ME2381-06S-FL01 means ME2381-06S with optional flange FL01.)



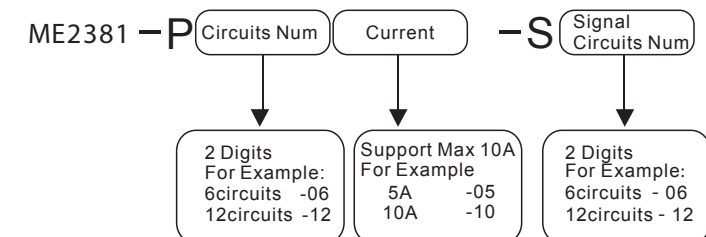
Options

- ▶ Can combine more wires:1-96Ring
- ▶ Specified connectors and Heat-shrink tube.
- ▶ Longer lead lengths available.
- ▶ Shielded cables
- ▶ Connectors
- ▶ Frequencies up to 500 MHz
- ▶ High-speed data transmission for fast Ethernet and EtherCat
- ▶ Signal, Coax, and Power combinations
- ▶ Thermocouples
- ▶ Shock, Vibration, and Temperature Qualified
- ▶ Pneumatic/Hydraulic Capability
- ▶ High temperature---up to 450 degree
- ▶ High Voltage & large Current(1000A)
- ▶ Military Grade.

Build On Request

how to build on request?

Please see ordering information instructions as below :



For example:

- ▶ if order ME2381 with 6wires*signal, the model should be ME2381-S06.
- ▶ if order ME2381 with 12wires*signal + 3wires*10A, the model should be ME2381-P0310-S12
- ▶ if you have other optional requirements, such as lead wire length, connectors, military grade, Please descrip in your email.

After Finishing above, pls send email to us: technical@moflon.com for further technical support.