

ME2122 (1000M baseT Ethernet)

ME2122, support 2 channel 1000M baseT ethernet slip rings, with through bore size 12.7mm(0.5"), overall diameter 56mm, are standard, off-the-shelf, Color-coded lead wires are used on both the stator and rotor for simplified electrical connections.

PART# Explanation:

ME2122 - P0610 - S06

S06: signal/2A each @ 6 circuits
P0610: 10A each @ 6 circuits



Specifications

PART #	OD *L	SIGNAL/5A	10A	20A	1000M BASET
ME2122-S02	56mm*70.5mm	2	0	0	2
ME2122-P0210	56mm*70.5mm	0	2	0	2
ME2122-S08	56mm*87.5mm	8	0	0	2
ME2122-P0810	56mm*87.5mm	0	8	0	2
ME2122-P0410-S04	56mm*87.5mm	4	4	0	2
ME2122-S14	56mm*104mm	14	0	0	2
ME2122-P0610-S08	56mm*104mm	6	6	0	2

Ethernet Specifications

Ethernet	1000M baseT	Ethernet connectors	Rj45
BER	10E-11	Insert loss	2db

Power/signal Specifications

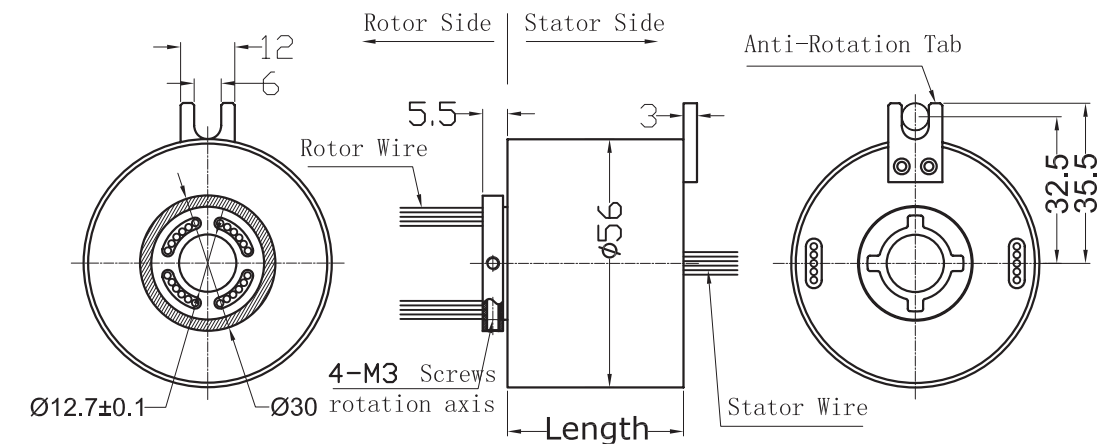
Rating voltage	400 VDC/VAC	Contact material	Precious Metal:Gold-Gold
Dielectric strength	1000VDC@50Hz	Lead Wire	CAT6,AWG#22,#16
Insulation resistance	1000MΩ@600VDC	Lead Lengths	250mm
Operating Temp.	- 40°C to 80°C	Protection	Ip51
Max Speed	1000RPM	Humidity	10% to 90% RH
Materials	Lead Free,RoHS compliant	CE Certified	YES

Notes:

- 1)The operational life of the unit is dependent upon rotational speed, environment and temperature.
- 2)Lead Wire size: 5A/signal -> AWG22, 10A -> AWG16, 20A -> Awg14, colored code.
- 3)Electrical noise is dependent upon the rotating speed and current,voltage.

Drawings

Standard drawings:



ME2122

12 wires for one group color. from 13 ... 24, repeat the same color as 1 ... 12, indicated with number code pipe.

Lead wire Color codes

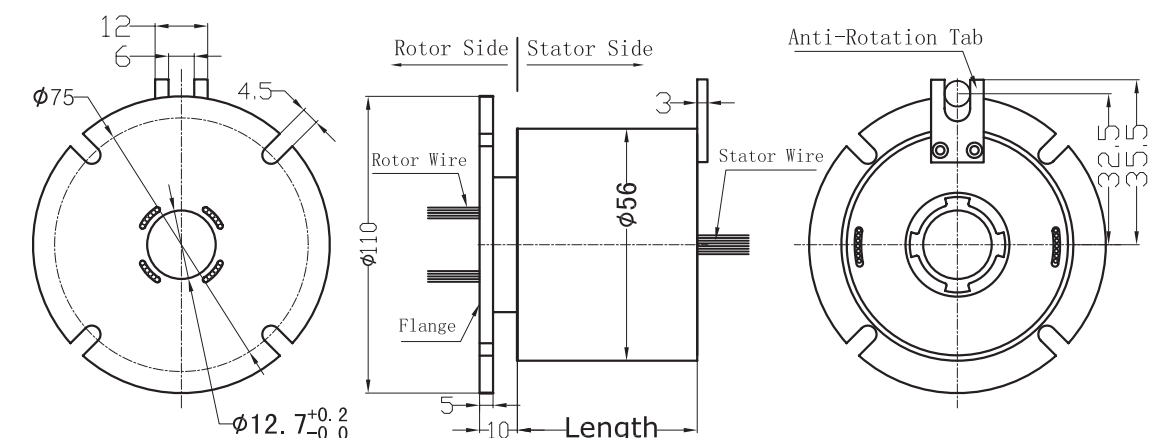
Rings#	Color Code	Rings#	Color Code	Rings#	Color Code
1	BLK	5	YEL	9	GRY
2	BRN	6	GRN	10	WHT
3	RED	7	BLU	11	PINK
4	ORN	8	PURPLE	12	AZURY

Optional Flanges mounting:

At sometimes, we need a different flange for mounting instead, how should we do?

Great! Moflon supply flange style as below:

(when you order, pls add FL01 at the suffix of Part#, for example: ME2122-06S-FL01 means ME2122-06S with optional flange FL01.)



Suffix - FL01