

MC573 - MC SERIES

MC573 - MC SERIES

MC573 Slip Rings

OD 22.00mm(0.87"),Length 57.3mm(2.26")

,36 Wires*2A(signal)

MC573 slip rings are small and compact with OD 22mm * L 57.3mm, with capsule style, standard, off-the-shelf. Color-coded lead wires are used on both the stator and rotor for simplified electrical connections. Using a 90° V-groove ring design for each ring.

MC5739 is the high-end version corresponding to MC573, See difference as below:

	Max Speed	Working life	Torque	Housing Material	Electrical noise ^① @10Rpm
MC573	150RPM	50million	0.08 N·m	Plastics	10mΩ
MC5739	600RPM	150million	0.03 N·m	Metal	4mΩ



Specifications

PART ##	OD*L	SIGNAL/2A	4A	8A	15A	TOTAL WIRES
MC573	22mm*57.3mm	36	0	0	0	36

Shared Specifications

Wires	36(see table as above)	Current	Signal(2A)
Voltage	240 VDC/VAC	Max speed	150RPM
Overall diameter	22mm(0.87")	Length	57.3mm(2.26")
Contact Material	Precious Metal:gold-gold	Contact Resistance	<150mOhm(AWG28#,250mm)
Housing Material	Plastics	Torque	0.08N.m
Working life	50million	Electrical noise	<10mΩ
Dielectric strength	600VDC@50Hz	Lead Wire	UL Teflon® Awg28
Insulation resistance	1000MΩ@500VDC	Lead Lengths	250mm
Operating Temp.	-40°C to 80°C	Protection	IP51
Mechanical vibration	MIL-SID-810E	Humidity	10% to 90% RH
Materials	Lead Free,RoHS compliant	CE Certified	YES

Notes:

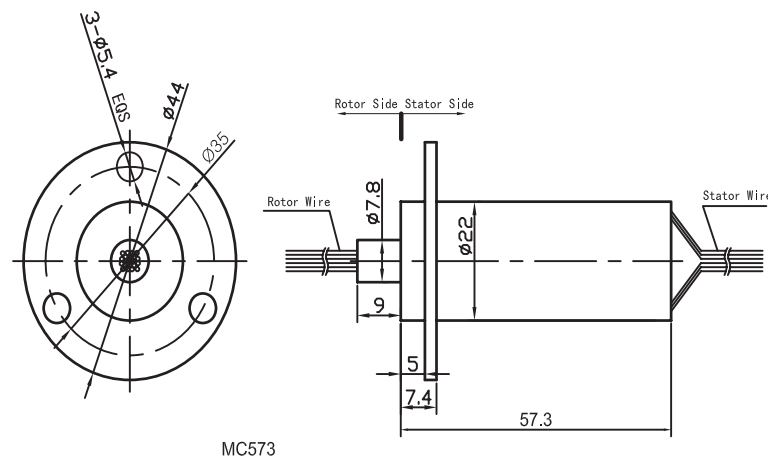
1)The operational life of the unit is dependent upon rotational speed, environment and temperature.

2)Lead Wire size: 2A/signal -> AWG28, 4A -> AWG22, 8A -> Awg16, 15A -> Awg14, colored code.

3)Electrical noise is dependent upon the rotating speed and current, voltage.

Drawings

Standard drawings:



MC573

Lead wire Color codes

Rings#	Color Code	Rings#	Color Code	Rings#	Color Code
1	BLK	9	GRY	17	WHT YEL
2	BRN	10	ORN	18	WHT GRN
3	RED	11	PINK	19	WHT BLU
4	ORN	12	AZURY	20	WHT PURPLE
5	YEL	13	WHT BLK	21	WHT GRY
6	GRN	14	WHT BRN	22	CRY STAL
7	BLU	15	WHT RED	23	BLK RED
8	PURPLE	16	WHT ORG	24	WHT BRN

* Notes: Repeat from 1~24

Options

- ▶ MC5739 is the high-end version corresponding to MC573.
- ▶ Optional flange mounting.
- ▶ Specified connectors and Heat-shrink tube.
- ▶ Longer lead lengths available.
- ▶ High temperature is optional.
- ▶ Military Grade.

Application

Typical Application

- ▶ CCTV Monitoring System.
- ▶ Electrical test equipment.
- ▶ Medical equipment.
- ▶ Rotary table
- ▶ Robotics
- ▶ Laboratory equipmen
- ▶ Manufacturing and process control equipment