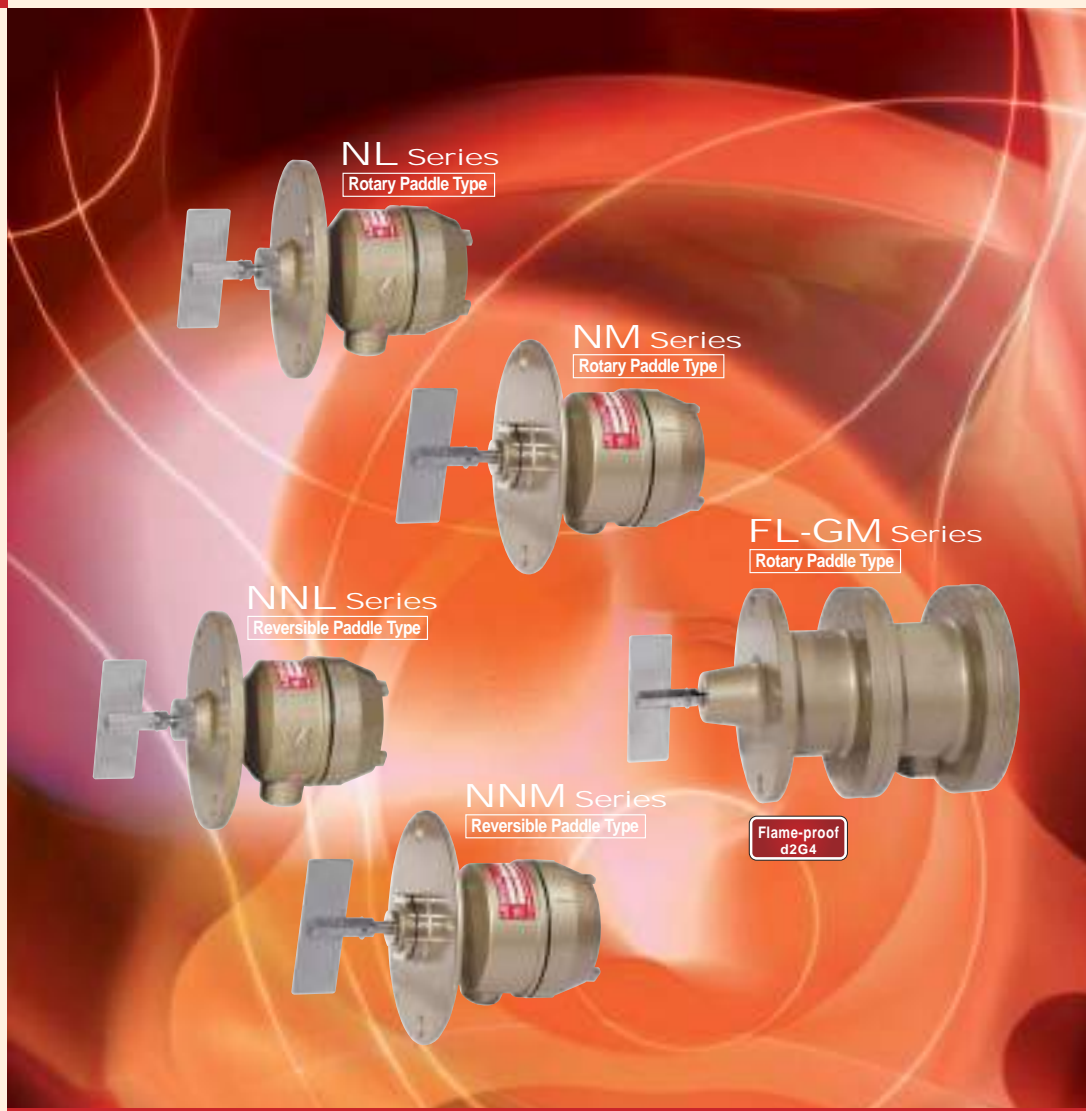
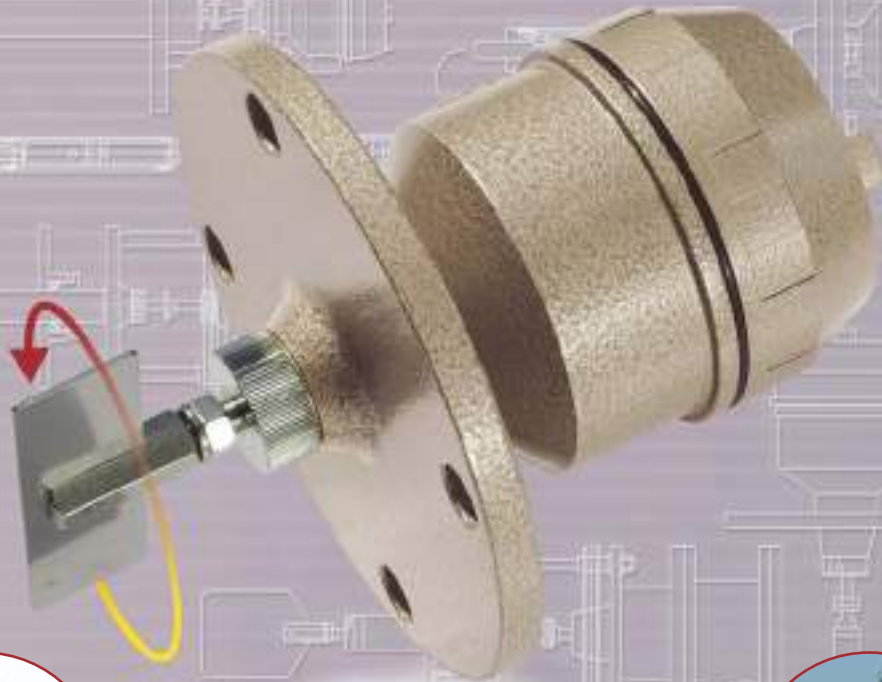


ROTARY PADDLE TYPE LEVEL SWITCH

Model **NL/NM/FL-GM/NNL/NNM** **SERIES**



Uncomparable models developed based on our abundant technology experiences and long-term achievements in the market. A variety of products are lined up. We assure that you will be able to find an optimum model



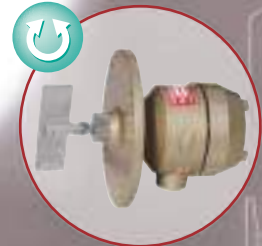
ROTARY PADDLE TYPE LEVEL SWITCH

Level Switch you can use in versatile applications, exclusively for powders.

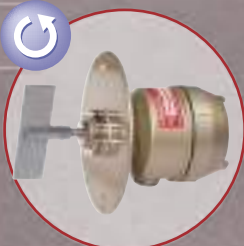
As it is easy to handle, it operates stably for a long period of time. It is a best selling line for having gained customers confidence and expanded sales record in the market.



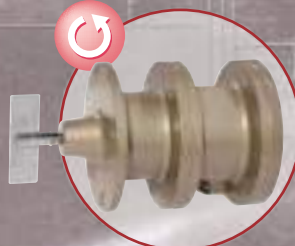
NL Series
Standard type for detecting powder, versatile usages.



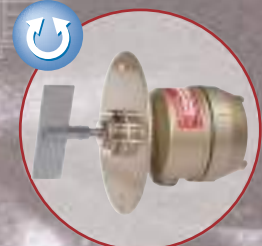
NNL Series
The original switching system enables the amazing long life of the motor.



NM Series
Cost effective, standard type with no excessive functions.



FL-GM Series
Various models of Explosion-proof Type.



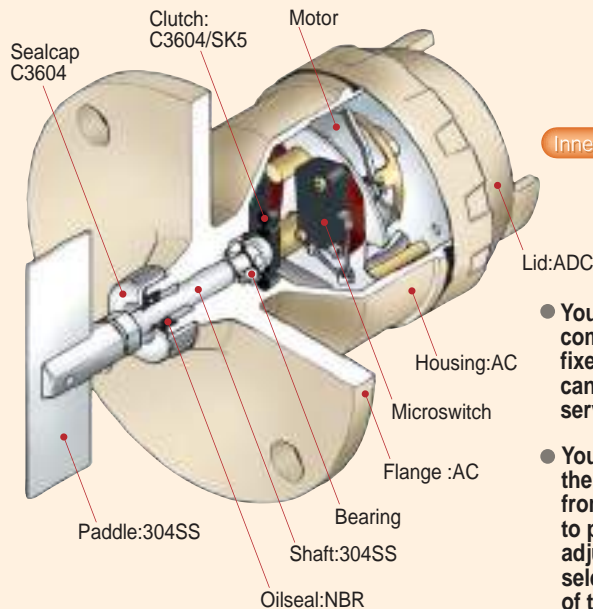
NNM Series
Reversible Type, Highly cost effective.

Flame-proof
d2G4

A standard model of rotary type level switch that continuously keeps evolving.
Covering a wide range of applications with various models.

Rotary Paddle Type
NL/NM
Series

- You may easily adjust torque when taking off the Lid.
- It prevents powder from intruding from the axis with oilseal and thrust-teflon packing.
- The clutch system helps prevent the motor from being broken even when the paddle is overloaded.

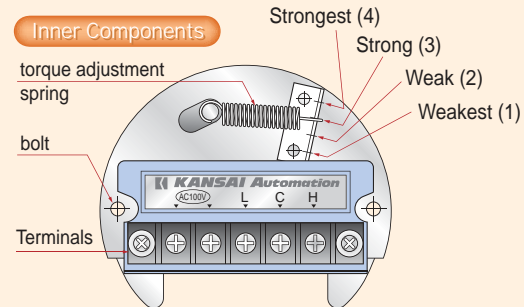


Inner Structure

- You may take off interior components as it remains fixed on a tank, and you can easily inspect and service it.
- You may reliably detect the measuring substance from hypobaric powder to particles with no sensitivity adjustment only if you select the appropriate size of the paddle.

Principle Of Operation

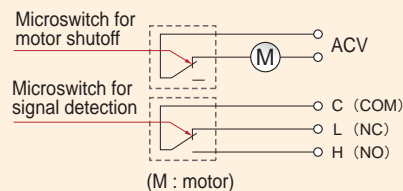
A rotating paddle, being loaded by sediments in a tank, activates a limit switch and brings contact output and motor rotation to a halt at the same time. With no load by sediments, the motor resumes rotation. When the paddle is overloaded or suffers strong shock, a clutch system prevents the motor from being broken by letting out excessive load and shock.



Standard Specification

- Power Source : 100–110VAC or 200–220VAC 50/60Hz
- Power Consumption : 4W
- Contact Capacity : 250VAC 5A Resistance Load
- Rate of Rotation : 1 r.p.m./50Hz
- Allowable Temperature : below 50°C (in a tank)
- Withstand Voltage : 1500VAC one minute for in between terminal and housing
- Detection Torque : $1470-1764N \cdot m \times 10^{-4}$
- Allowable Pressure : 19.6kPa
- Color : Gold
- Process Connection : G1B or Equivalent to JIS 5K 65A
- Enclosure Rating : IP55 or equivalent

Wiring Diagram



24VDC Power Adaptive

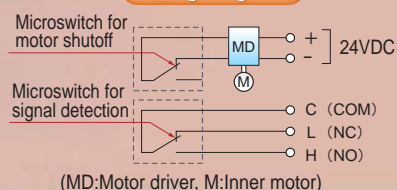
An AC motor model has had an excellent sales record for a long period of time since the introduction into the market, and it, its electromechanical components remaining unremoved, is replaced with DC motor, which makes Rotary Type Level Switch of DC type, featured by stable and reliable rotations. Because the electronic components are surface mounted, vibration resistance is upgraded.

Standard Specification

- Power Source : 24VDC ±1V
- Power Consumption : 5W
- Contact Capacity : 30VDC 100mA Resistance Load
- Rate of Rotation : 1.25 r.p.m

*Allowable temperature and pressure, detection torque and so on are the same as those of NL & NM.

Wiring Diagram



ROTARY PADDLE TYPE LEVEL SWITCH

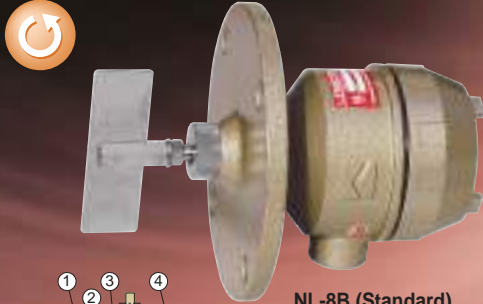
Rotary Paddle Type
model **NL**

The basic model of Rotary Type Level Switch that can be applied to all and every conditions.

(Wetted parts can be made of 304SS or 316SS)

Standard Flange Type **NL-8B**

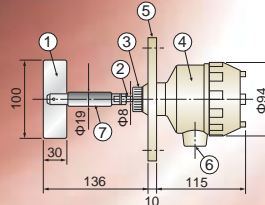
The NL basic model, suitable for powders not much sticking to the tank wall.



NL-8B (Standard)

1	Paddle	304SS
2	Main Shaft	304SS
3	Sealcap	C3604
4	Housing	AC
5	Flange	AC
6	Conduit Connection	G 1/2

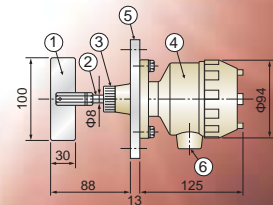
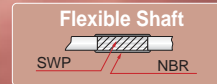
- Flange size: JIS5K65A equivalent
- L Dimension below flange can be extended up to 200mm.
- Weight: about 1.65kg



NL-8BF (Flexible shaft)

1	Paddle	304SS
2	Main Shaft	304SS
3	Sealcap	C3604
4	Housing	AC
5	Flange	AC
6	Conduit Connection	G 1/2
7	Flexible Shaft	—

- Flange size: JIS5K65A equivalent



NL-8B (Wetted part SUS)

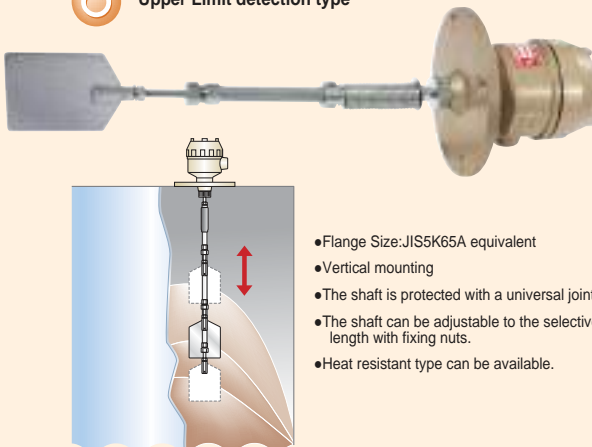
1	Paddle	304SS
2	Main Shaft	304SS
3	Sealcap	304SS
4	Housing	AC
5	Flange	304SS
6	Conduit Connection	G 1/2

- Flange size: JIS5K65A equivalent

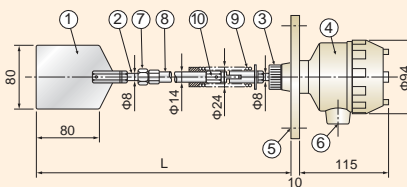
Adjustable Shaft Type **NL-8BA**

The shaft can be adjustable to the selective length with fixing nuts. Even if the repose angle is not available, in advance it can optimally be adjusted on site.

*Upper Limit detection type



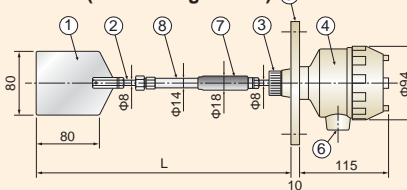
NL-8BA (Reinforcing spring)



1	Paddle	304SS
2	Main Shaft	304SS
3	Sealcap	C3604
4	Housing	AC
5	Flange	AC
6	Conduit Connection	G 1/2
7	Lock Nut	C3604
8	Protective Tube	SGP
9	Spring	SWP
10	Universal Joint	SS400

- Weight: about 2.2kg (Max.L=1000)

NL-8BA (Reinforcing rubber)

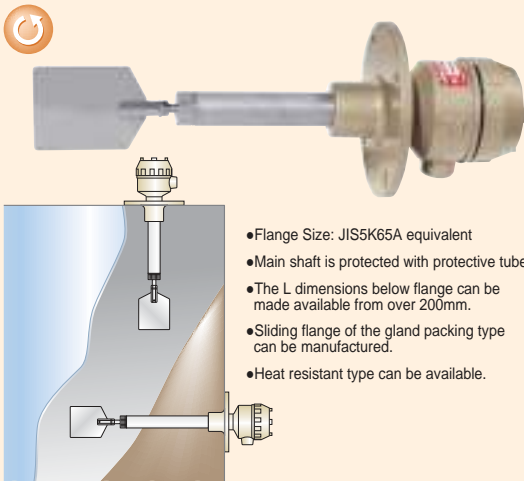


1	Paddle	304SS
2	Main Shaft	304SS
3	Sealcap	C3604
4	Housing	AC
5	Flange	AC
6	Conduit Connection	G 1/2
7	Spring	NBR
8	Universal Joint	SS400
9	Protective Tube	SS400

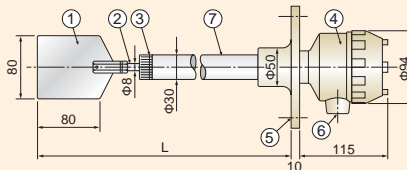
- Weight: about 2.2kg (Max.L=1000)

Protective-tube extension type **NL-8BS**

When the repose angle is greater, there is much build-up on the tank-wall and so on, vertical, horizontal and diagonal mounting can be selected.



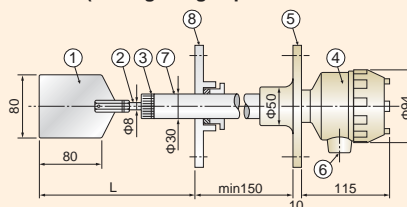
NL-8BS (Protective tube extension)



1	Paddle	304SS
2	Main Shaft	304SS
3	Sealcap	C3604
4	Housing	AC
5	Flange	AC
6	Conduit Connection	G 1/2
7	Protective Tube	304SS

- Weight: about 2.0kg (L=200)

NL-8BS (Sliding flange/specified L dimension)



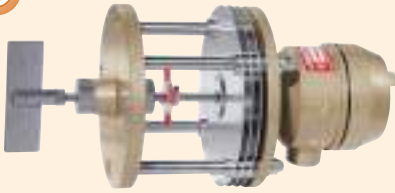
1	Paddle	304SS
2	Main Shaft	304SS
3	Sealcap	C3604
4	Housing	AC
5	Flange	AC
6	Conduit Connection	G 1/2
7	Protective Tube	304SS
8	Sliding Flange	SS400

Heat Resistant Type

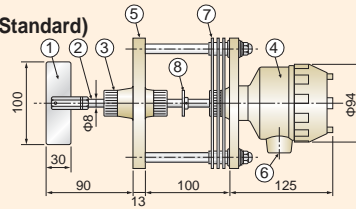
NL-8BH

Operating temperature in a tank:250°C. Optional air or water cooled type can operate at the higher temperature.

●Flange size: JIS5K65A equivalent

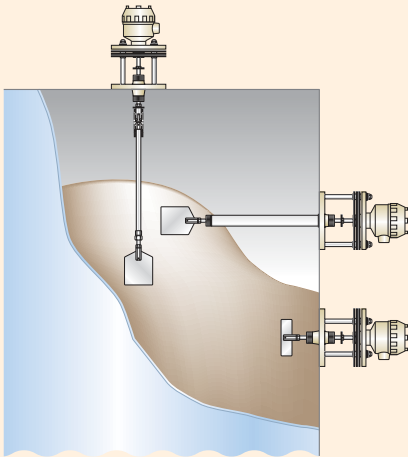


NL-8BH (Standard)

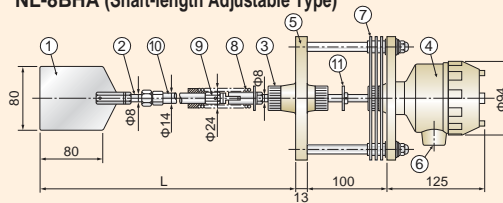


1	Paddle	304SS
2	Main Shaft	304SS
3	Sealcap	C3604
4	Housing	AC
5	Flange	SS400
6	Conduit Connection	G 1/2
7	Radiation Fin	ALP
8	Rotation Check Board	AC

●Weight: about 4.4kg

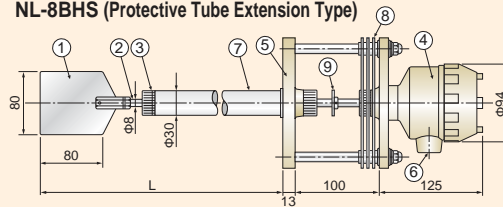


NL-8BHA (Shaft-length Adjustable Type)



1	Paddle	304SS
2	Main Shaft	304SS
3	Sealcap	C3604
4	Housing	AC
5	Flange	SS400
6	Conduit Connection	G 1/2
7	Radiation Fin	ALP
8	Spring	SWP
9	Universal Joint	SS400
10	Protective Tube	SGP
11	Rotation Check Board	AC

NL-8BHS (Protective Tube Extension Type)



1	Paddle	304SS
2	Main Shaft	304SS
3	Sealcap	C3604
4	Housing	AC
5	Flange	SS400
6	Conduit Connection	G 1/2
7	Protective Tube	304SS
8	Radiation Fin	ALP
9	Rotation Check Board	AC

Withstand Load Type

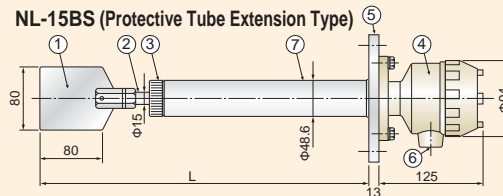
NL-15B

Lower limit detection of a large tank. Level switch of withstand load type, mounted in a lower part of silo. Both heat resistant and protective tube extension type can be manufactured.

●Flange size: JIS5K65A equivalent

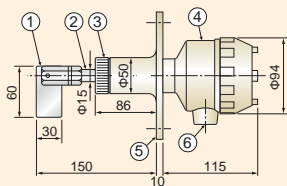


NL-15BS (Protective Tube Extension Type)



1	Paddle	304SS
2	Main Shaft	304SS
3	Sealcap	C3604
4	Housing	AC
5	Flange	SS400
6	Conduit Connection	G 1/2
7	Protective Tube	304SS

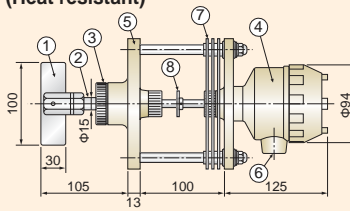
NL-15B (Standard)



1	Paddle	304SS
2	Main Shaft	304SS
3	Sealcap	C3604
4	Housing	AC
5	Flange	AC
6	Conduit Connection	G 1/2

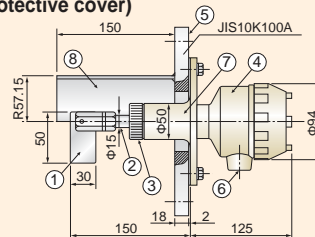
●Weight: about 2.2kg

NL-15BH (Heat resistant)



1	Paddle	304SS
2	Main Shaft	304SS
3	Sealcap	C3604
4	Housing	AC
5	Flange	SS400
6	Conduit Connection	G 1/2
7	Radiation Fin	ALP
8	Rotation Check Board	AC

NL-15BY (Protective cover)

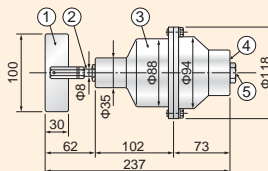
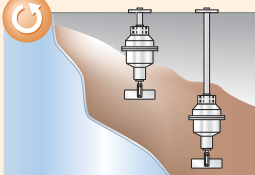


1	Paddle	304SS
2	Main Shaft	304SS
3	Sealcap	C3604
4	Housing	AC
5	Flange	SS400
6	Conduit Connection	G 1/2
7	Boss	AC
8	Protective Cover	SGP

Inner Tank Hanging Type

NL-8DA

Suspended in a tank with 40A pipe. Can be used under varied conditions.



1	Paddle	304SS
2	Main Shaft	304SS
3	Housing	AC
4	Mounting Screw	G1-1/2
5	Conduit Connection	G 1/2

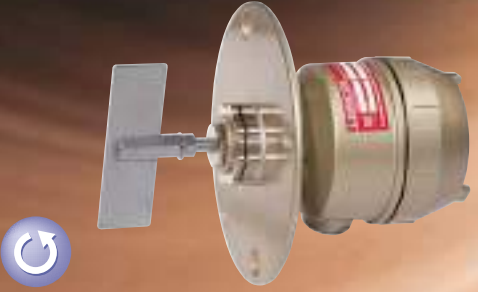
●Suspend it in a tank with 40A pipe.
 ●Advise us of the length of lead cable. (Standard 350mm)
 ●Weight: about 1.3kg

ROTARY PADDLE TYPE LEVEL SWITCH

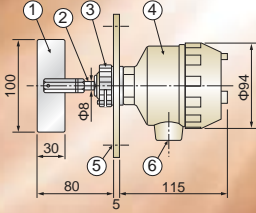
Rotary Paddle Type
model **NM**

Thorough standardization of parts makes budget-priced.

(Wetted parts can be made of 304SS or 316SS)



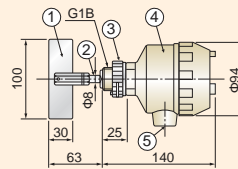
Standard Flange Type **NM-8B** Basic Model of NM



1	Paddle	304SS
2	Main Shaft	304SS
3	Nut	ADC
4	Housing	ADC
5	Flange	SS400
6	Conduit Connection	G 1/2

- Flange size: JIS5K65A equivalent
- Flange of non-standard size can be manufactured (Over JIS5K65A).
- Screwed joint (G1B) with the flange taken off.
- Weight: about 1.65kg

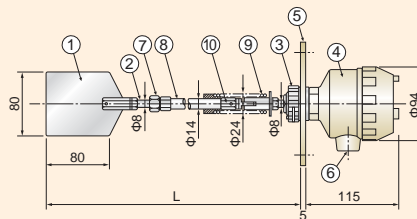
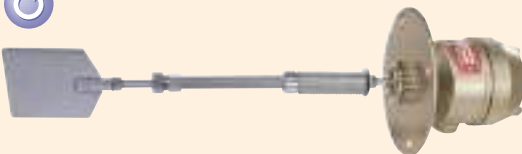
Screwed Joint Type **NM-SC** Small Hopper Level Switch



1	Paddle	304SS
2	Main Shaft	304SS
3	Nut	ADC
4	Housing	ADC
5	Conduit Connection	G 1/2

- Mounting G1B
- Weight: about 1.1kg
- *Make the tank diameter $\Phi 34$ in mounting NM-SC.
- *The outside diameter of crown nut is $\Phi 48$.

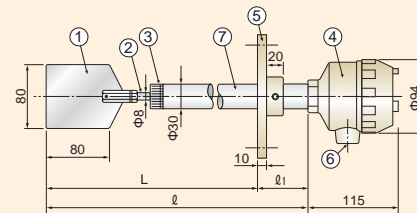
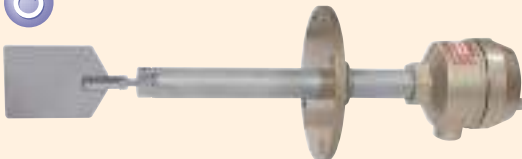
Adjustable Shaft Type **NM-8BA** Vertical Mounting



1	Paddle	304SS
2	Main Shaft	304SS
3	Nut	ADC
4	Housing	ADC
5	Flange	SS400
6	Conduit Connection	G 1/2
7	Lock Nut	C3604
8	Protective Tube	SGP
9	Spring	SWP
10	Universal Joint	SS400

- Flange size: JIS5K65A equivalent
- Heat resistant type can be available.
- Weight: about 2.0kg (L=Max.500)

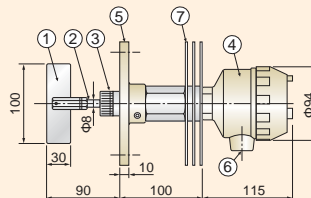
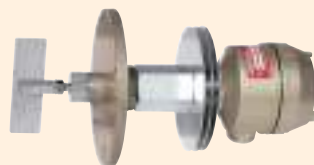
Protective-tube extension type **NM-8BS** Adjust the L dimensions by sliding flange



1	Paddle	304SS
2	Main Shaft	304SS
3	Sealcap	C3604
4	Housing	ADC
5	Flange	AC
6	Conduit Connection	G 1/2
7	Protective Tube	304SS

- The L dimensions below flange can be made from over 200mm.
- Heat resistant type can be available.
- Weight: about 2.2kg (L=200)

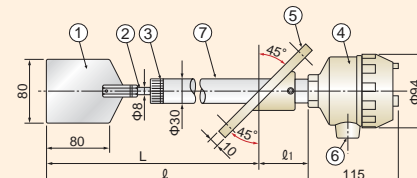
Heat Resistant Type **NM-8BH** Operating temperature in a tank: below 180°C



1	Paddle	304SS
2	Main Shaft	304SS
3	Sealcap	C3604
4	Housing	ADC
5	Flange	AC
6	Conduit Connection	G 1/2
7	Radiation Fin	ALP

- Flange size: JIS5K65A equivalent
- The L dimensions below flange can be extended up to 200mm.
- Both Shaft-length adjustable and protective tube extension types can be available.
- Weight: about 2.7kg

Diagonal Flange Type **NM-8BN(S)** Best to mount at the conical area directly.




1	Paddle	304SS
2	Main Shaft	304SS
3	Sealcap	C3604
4	Housing	ADC
5	Flange	AC
6	Conduit Connection	G 1/2
7	Protective Tube	304SS

- Flange size: JIS5K65A equivalent
- The standard angle is 45°
- *It is possible to specify the angle.
- Weight: about 2.2kg (L=200)

Rotary Paddle Type
model **FL-GM**

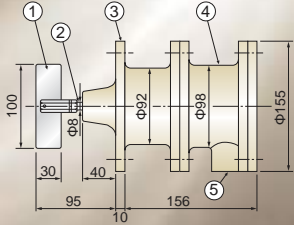
Various models of Explosion-proof




Standard **FL-GM** Basic Model of FL-GM

Flame-proof d2G4 Certified No. T25642		
1	Paddle	304SS
2	Main Shaft	304SS
3	Housing	AC
4	Flange	AC
5	Conduit Connection	G 1/2

- Compact, lightweight, easy to handle.
- Weight: about 4.1kg



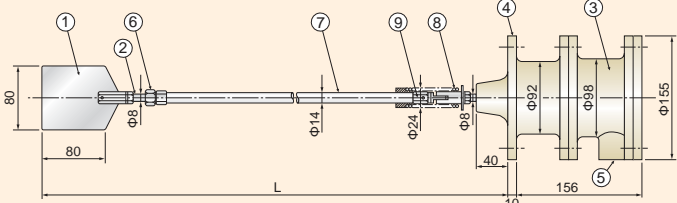
Adjustable Shaft Type **FL-GMA** Vertical mounting



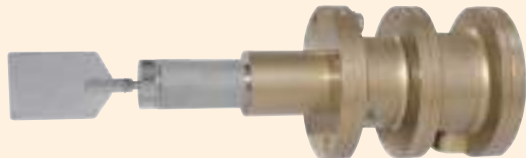
Adjustable Shaft Type **FL-GMA** Vertical mounting

Flame-proof d2G4 Certified No. T25642		
1	Paddle	304SS
2	Main Shaft	304SS
3	Housing	AC
4	Flange	AC
5	Conduit Connection	G 1/2
6	Lock Nut	C3604
7	Protective Tube	SGP
8	Spring	SWP
9	Universal Joint	SS400

- Flange size: JIS5K65A equivalent
- Heat resistant type can be available.
- Weight: about 4.5kg (L=Max500)



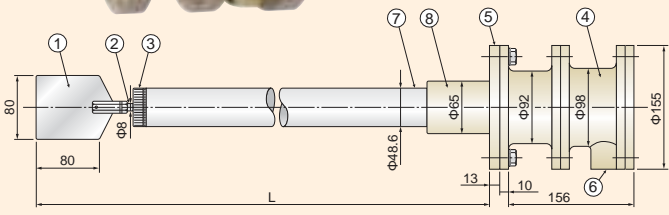
Protective-tube extension type **FL-GMS** Can be mounted vertically, horizontally and diagonally.



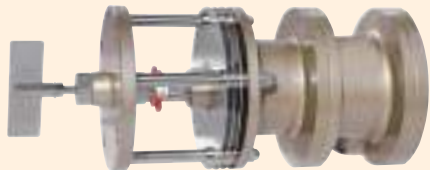
Protective-tube extension type **FL-GMS** Can be mounted vertically, horizontally and diagonally.

Flame-proof d2G4 Certified No. T25642		
1	Paddle	304SS
2	Main Shaft	304SS
3	Sealcap	C3604
4	Housing	AC
5	Flange	SS400
6	Conduit Connection	G 1/2
7	Protective Tube	304SS
8	Boss	SS400

- Flange size: JIS5K65A equivalent
- Heat resistant type can be available.
- The L dimensions below flange can be made from over 200mm.



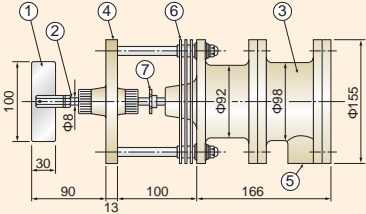
Heat Resistant Type **FL-GMH** Operating temperature in a tank:250°C



Heat Resistant Type **FL-GMH** Operating temperature in a tank:250°C

Flame-proof d2G4 Certified No. T25642		
1	Paddle	304SS
2	Main Shaft	304SS
3	Housing	AC
4	Flange	SS400
5	Conduit Connection	G 1/2
6	Radiation Fin	ALP
7	Rotation Check Board	AC

- Flange size: JIS5K65A equivalent
- Heat resistant type can be available.
- The L dimensions below flange can be extended up to 200mm.
- Both Shaft-length adjustable and protective tube extension types can be available.



Removal of expendable mechanical parts from an internal motor comes up with a long life surpassing other Rotary Paddle Type level switches as well as the stability.

Reversible Paddle Type

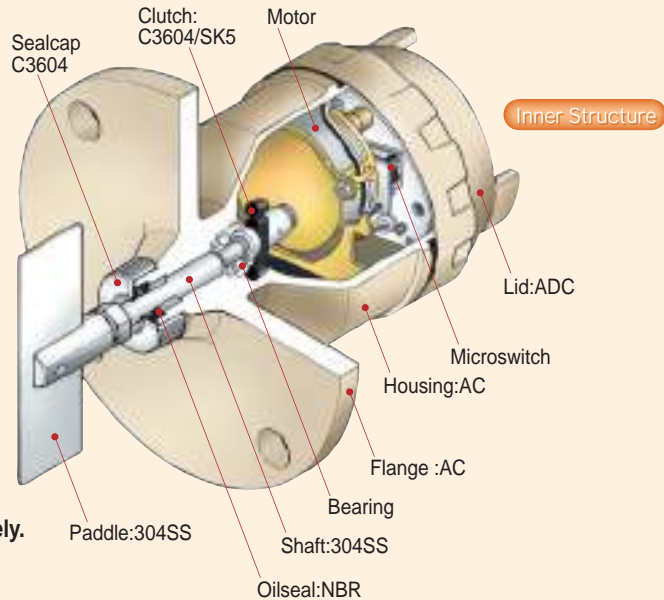
NNL/NNM Series

It is highly effective in such processes as excessive On/Off operations.

Flowing materials to be measured.

Fast powder replacement for a small tank.

These processes often require the level switch's detecting operations, thus curtailing the life of the motor extremely. These series, however, secure the long life of the motor unit.



Principle Of Operation

Utilizing the switching system we developed on the basis of our experiences and accomplishments in the market, it has offered the highly stable and reliable detection regardless of its paddle rotating direction.

A rotating paddle, being loaded by sediments in a tank, activates a micro switch and brings contact output and motor rotation to a halt at the same time.

With no load by sediments, the motor resumes rotation.

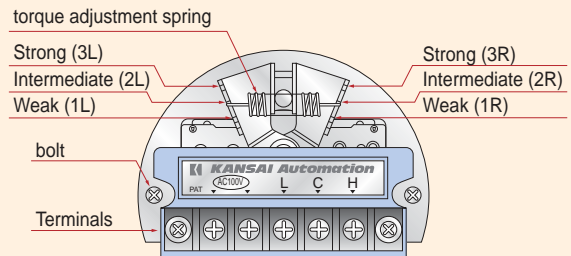
When the paddle is overloaded or suffer strong shock, a clutch system prevents the motor from being broken by letting out excessive load and shock.



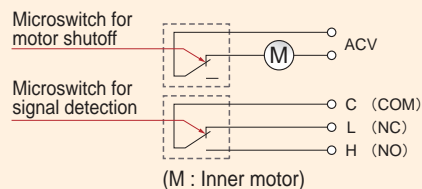
Standard Specification

- Power Source** : 100–110VAC or 200–220VAC 50/60Hz
- Power Consumption** : 4W
- Contact Capacity** : 250VAC 3A Resistance Load
- Rate of Rotation** : 1r.p.m./50Hz
- Allowable Temperature** : below 50°C (in a tank)
- Withstand Voltage** : 1500VAC one minute for in between terminal and housing
- Detection Torque** : about 1000–2800N · m × 10⁻⁴
- Allowable Pressure** : 19.6kPa
- Color** : Gold
- Process Connection** : G1B or Equivalent to JIS 5K 65A
- Enclosure Rating** : IP55 or equivalent

Inner Components



Wiring Diagram

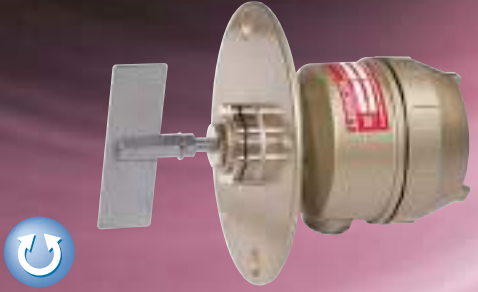
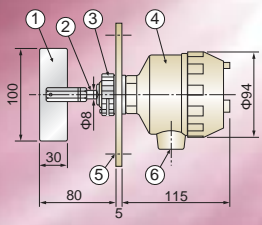


ROTARY PADDLE TYPE LEVEL SWITCH

Reversible Paddle Type
model **NNM**

Budget-priced Model of Reversible
Rotary-paddle Type.

(Wetted parts can be
made of 304SS or 316SS)

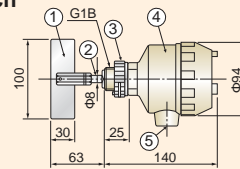



1	Paddle	304SS
2	Main Shaft	304SS
3	Nut	ADC
4	Housing	ADC
5	Flange	SS400
6	Conduit Connection	G 1/2

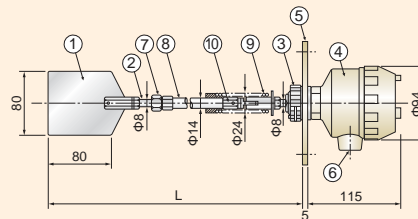
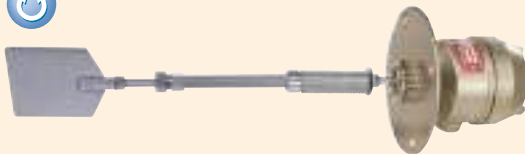
- Flange size: JIS5K65A equivalent
- Flange of non-standard size can be manufactured (Over JIS5K65A).
- Screwed joint (G1B) with the flange taken off.
- Weight: about 1.65kg

Standard Flange Type **NNM-8B** Basic Model of NNM

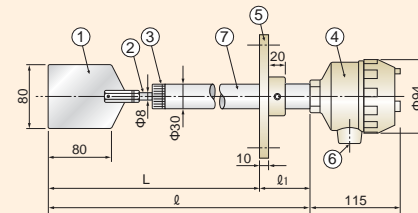
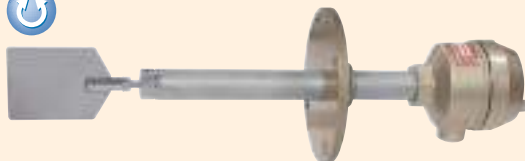
Screwed Joint Type **NNM-SC** Small Hopper Level Switch



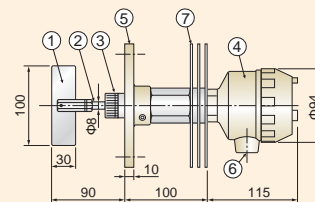
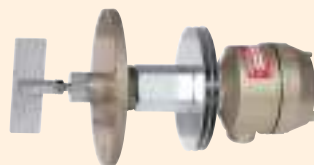
Adjustable Shaft Type **NNM-8BA** Vertical Mounting



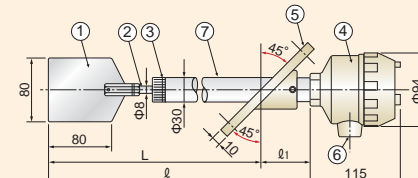
Protective-tube extension type **NNM-8BS** Adjust the L dimensions by sliding flange



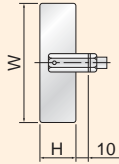
Heat Resistant Type **NNM-8BH** Operating temperature in a tank: below 180°C



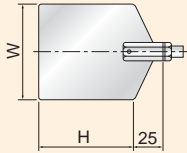
Diagonal Flange Type **NNM-8BN(S)** Best to mount at the conical area directly.



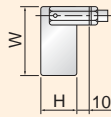
Paddle Shape



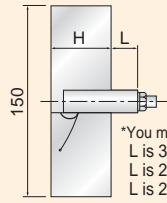
Type A



Type B

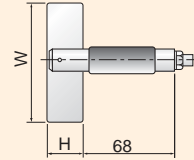


Type C



Type D

Special Unfolding Paddle



Type F

With flexible shaft

*You may note:
L is 31 when H is 50.
L is 26 when H is 60.
L is 23 when H is 80.

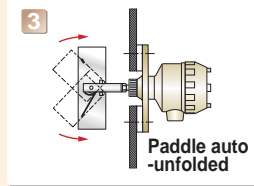
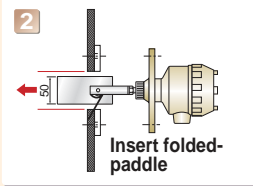
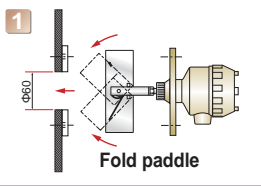
Paddle No.	W×H (mm)	Shape	when not specified
1	80×30	A	8B, Type-A (100×30) 8BA, Type B (80×80) *NNL/NNM model common spec.
2	100×30	A (Standard)	
3	128×25	A	
4	140×30	A	
5	128×80	A	
6	80×80	B (Standard)	
7	128×60	B	
8	60×30	C (Standard)	
9	150×50	D	

No.	Shape	W×H (mm)	Min Specific Gravity
			NL Model
1	A	80×30	2.81
2	A	100×30	1.44
3	A	128×25	0.83
4	A	140×30	0.53
5	A	128×80	0.26
6	B	80×80	1.06
7	B	128×60	0.35
8	C	60×30	1.44

*In case of light gravity, products of cross-paddle type or unfolding-paddle type can be manufactured.

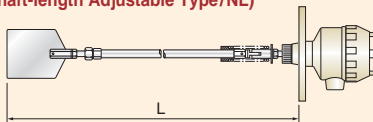
*Paddles other than listed above can be manufactured.

H dimensions of unfolding paddle should be 50 as the minimum.



Even if the unfolding paddle is made larger to measure low specific gravity products, it is possible to attach it on a tank without any special modifications, depending on the structure of the paddle.
(Possibly make the bore diameter larger than $\Phi 60$)

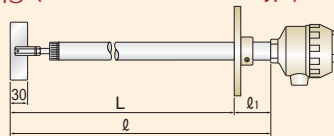
L Dimensions Table (Shaft-length Adjustable Type/NL)



No.	Max dim.(mm)	Min Dim.(mm)	No.	Max dim.(mm)	Min Dim.(mm)
1	500	374	5	2,500	1,374
2	1,000	624	6	3,000	1,624
3	1,500	874	7	4,000	2,124
4	2,000	1,124	8	5,000	2,624

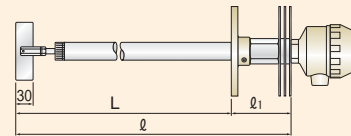
L Dimensions (Protective-tube Extension Type)

NM-8BS
NNM-8BS



- L dimensions of standard stock are 200, 300, 1000 only.
- With regard to L-dimensions other than listed above, you may use a longer one by one size and slide the flange toward the paddle as necessary. Accordingly l_1 gets longer to the extent.
- When a specific dimension paddle is used, you may basically slide the flange in the same manner as described in the item 2.
- Products whose length of L is over 1000 may be manufactured upon request.

NM-8BHS
NNM-8BHS



- L dimensions of standard stock are 200, 300, 1000 only.
- With regard to L-dimensions other than listed above, you may use a longer one by one size and slide the flange toward the paddle as necessary. Accordingly l_1 gets longer to the extent.
- When a specific dimension paddle is used, you may basically slide the flange in the same manner as described in the item 2.
- Products whose length of L is over 1000 may be manufactured upon request.

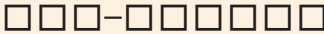
Length shape below flange	Paddle shape A 100×30	
	L	l_1
135~200 (200)	230	230-L (30)
201~300 (300)	330	330-L (30)
301~400 (400)	430	430-L (30)
401~500 (500)	530	530-L (30)
501~600 (600)	630	630-L (30)
601~700 (700)	730	730-L (30)
701~800 (800)	830	830-L (30)
801~900 (900)	930	930-L (30)
901~1000 (1000)	1030	1030-L (30)

Length shape below flange	Paddle shape B 80×80	
	L	l_1
200~265 (200)	295	295-L (95)
266~365 (300)	395	395-L (95)
366~465 (400)	495	495-L (95)
466~565 (500)	595	595-L (95)
566~665 (600)	695	695-L (95)
666~765 (700)	795	795-L (95)
766~865 (800)	895	895-L (95)
866~965 (900)	995	995-L (95)
966~1065 (1000)	1095	1095-L (95)

Length shape below flange	Paddle shape A 100×30	
	L	l_1
135~200 (200)	300	300-L (100)
201~300 (300)	400	400-L (100)
301~400 (400)	500	500-L (100)
401~500 (500)	600	600-L (100)
501~600 (600)	700	700-L (100)
601~700 (700)	800	800-L (100)
701~800 (800)	900	900-L (100)
801~900 (900)	1000	1000-L (100)
901~1000 (1000)	1100	1100-L (100)

Length shape below flange	Paddle shape B 80×80	
	L	l_1
200~265 (200)	365	365-L (165)
266~365 (300)	465	465-L (165)
366~465 (400)	565	565-L (165)
466~565 (500)	665	665-L (165)
566~665 (600)	765	765-L (165)
666~765 (700)	865	865-L (165)
766~865 (800)	965	965-L (165)
866~965 (900)	1065	1065-L (165)
966~1065 (1000)	1165	1165-L (165)

Type Designation



Type of Detection Unit

- S** Protective-tube extension type
- F** Flexible shaft type
- A** Adjustable Shaft Type
- Y** Protective cover type
- H** Heat resistant type
- N** Diagonal flange type

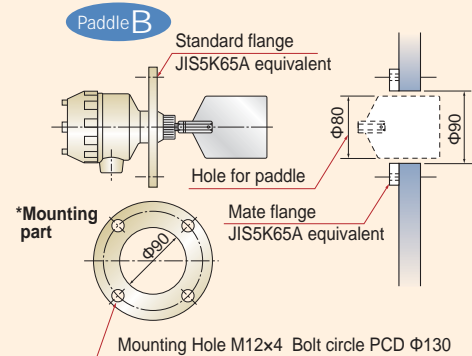
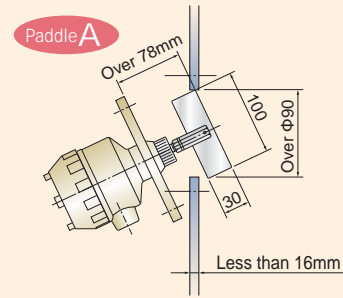
Type of Body

- 8B** Main Shaft $\Phi 8$
- 10B** Main Shaft $\Phi 10$
- 15B** Main Shaft $\Phi 15$
- GM** Withstand-pressure explosion-proof, Cable-conduit threaded
- SC** Screwed-joint (small hopper) (Shaft $\Phi 8$ or $\Phi 10$)
- DA** Inner Tank Hanging Type
(with 5-core cable in 350mm long for external connection)

Name of Series

- NL** } Standard Model
- NM** }
- FL** } Explosion-proof
- NNL** } Reversible Model
- NNM** }

Paddle Mounting



Lightweight and budget price as well as quality and high performance!

You can put on a tank with no removing the paddle from the unit.
A folding paddle is a standard equipment.

Mini Rotary paddle Type Level Switch

LEMICON-S Palm-size



Standard Specification

Power Source : 100-110VAC or 200-220VAC 50/60Hz
Power Consumption : 1.5W
Contact Capacity : 250VAC 3A (Resistance Load, SPDT)
Rate of Rotation : 0.83r.p.m(50Hz) / 1.00r.p.m(60Hz)
Rotation Direction : Clockwise (Viewing from paddle)
Allowable Temperature : 0-50°C (no freezing) Heat resistant (0-120°C)

Withstand Voltage : 1500VAC one minute
Detection Torque : 170-270N · m $\times 10^{-4}$
Color : Gold
Setscrew : G 3/4B (material ADC)
Locknut : Hexagonal nut (opposite side 35mm, thickness 10mm, material ADC)
Cable length : 500mm (max)

*Wetted parts made of stainless steel can be available.

Line of business

- Rotary Paddle Type Level Switch
- Vibration Type Level Switch
- Swing Type Level Switch
- Acoustic Level Switch
- Capacitance Type Level Switch
- Capacitive Proximity Sensor
- Capacitance Type Level Indicator
- Diaphragm Type Level Switch
- Tilt Switch
- Leak Type Level Switch
- Microwave Type Switch
- Sounding Bob Type Level Indicator
- Flow Switch
- Conductance Type Level Switch
- Float Switch
- Float Type Level Indicator
- Ultrasonic Type Level Indicator
- Equipments For Conveyor Lines
- Dust Monitor System
- Zirconia Oxygen Analyzer
- Laser Type Level Indicator
- RADAR Type Level Indicator
- On-line Sensors for Accurate Liquid Analysis
- Ultrasonic Flow meter

*Please be sure to read USER'S GUIDE, Installation & Operation Instructions before using the instrument.

*The specifications herein may be subject to change without advance notice.

All-round Manufacturer of Level Controllers for Powder, Granules and Liquid

KANSAI Automation Co., Ltd.

Headquarters :
 2-14, Togano-cho, Kita-ku, Osaka 530-0056, Japan
 TEL. 81-6-6312-2071 FAX. 81-6-6314-0848
 e-mail: info@kansai-automation.co.jp

<http://www.kansai-automation.co.jp>

Tokyo Branch : 1-29-6, Hamamatsu-cho, Minato-ku, Tokyo 105-0013, Japan
 TEL. 81-3-5777-6931 FAX. 81-3-5777-6933

Nagoya Office : 3-31-27, Uchiyama, Chigusa-ku, Nagoya 464-0075, Japan
 TEL. 81-52-741-2432 FAX. 81-52-741-1588

Kyushu Office : 1-2-39, Asano, Kokura Kita-ku, Kitakyushu 802-0001, Japan
 TEL. 81-93-511-4741 FAX. 81-93-511-4580



Agent