

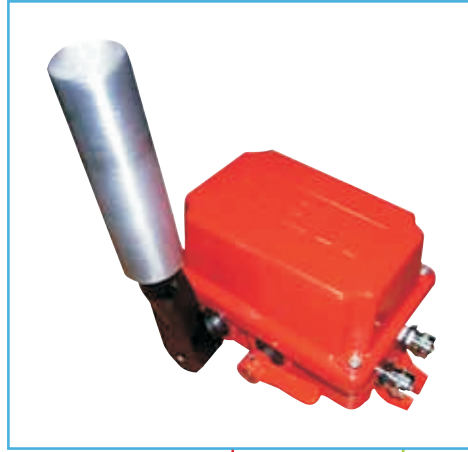


İMAJ TEKNİK

ELEKTRİK ELEKTRONİK MALZEMELERİ SAN. VE TİC. LTD. ŞTİ.

KBT NSR 22-BM

CONVEYOR BELT RUN SWITCH



- Fast acting mechanism, direct tripping
- Contact configuration: Standard 2NC + 2NO (Additional 2NO + 2NC is optional)
- Cast aluminum housing
- 2 cable outlets (with cable gland of rust-free metal)
- Stepless play settings between roller and belt
- IP 66 class protection (dust-free and waterproof)

Structure and Configuration

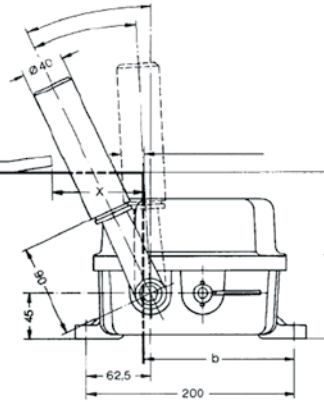
Mechanism and parts of conveyor belt misalignment switch belonging to Type NSR 22-BM are placed inside of an aluminum metal housing of rugged structure.

In fact it is so durable that it can withstand all kinds of severe complication that may happen in the plant and meets your expectations. It guarantees a reliable service for many years.

Switch mechanism is so configured that conveyor belt misalignment switch still continues its operation even if a failure is experienced at the tip of roller arm.

Conveyor belt misalignment switch belonging to Type NSR 22-BM can move in either direction of the conveyor belt and installed on drive drum. Conveyor belt misalignment switch is projected for very long conveyor belts depending on expected long line operating conditions.

Besides, more contacts may be optionally added to these switches. Active surfaces of the contacts are silver plated. It scrapes the silver contact surfaces owing to its special design of the contact and one scrapes the other for cleaning purposes.



KBT

İMAJ TEKNİK ELEKTRİK ELEKTRONİK MALZ. SAN. VE TİC. LTD. ŞTİ.

Emekyemez Mah. Yüksek Minare Sk. No:8 / 17 80020 Karaköy / İstanbul

☎ +90 212 235 95 35 / 36 📠 +90 212 235 95 37 ✉ info@imajteknik.com

www.imajteknik.com - www.imajteknik.com.tr



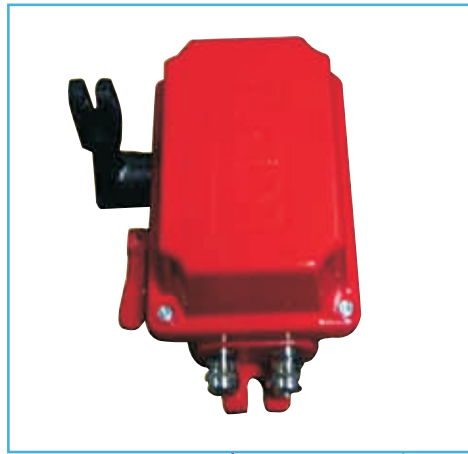


İMAJ TEKNİK

ELEKTRİK ELEKTRONİK MALZEMELERİ SAN. VE TİC. LTD. ŞTİ.

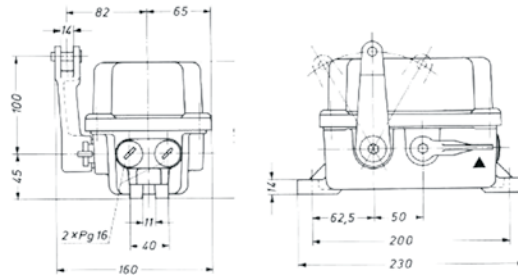
KBT NSR 22-PR

PULL-ROPE SAFETY SWITCH



www.imajteknik.com.tr

- Rope ranges up to 2x50 meters
- Contact configuration: Standard 2NC + 2NO (Additional 2NO + 2NC is optional)
- Aluminum housing
- 2 cable outlets (with cable gland of rust-free metal)
- Fast acting mechanism, direct tripping
- IP 66 class protection (dust-free and waterproof)



Design of KBT type NSR 22-PR Pull-Rope Safety Switch is suitable for providing heavy-duty. Housings made of aluminum guarantee to provide reliable services for many years. Housing has a protection rating of IP 66 and by no means shall allow dust or water in.

Pull-Rope Safety Switches which are integrated to a rope of maximum 2x50 meters are suitable for double ropes each situated at either side. Pulling one of these ropes, by means of contacts of fast acting mechanism, actuates one of these ropes independent of the direction of movement. At the same time, along with the operation of switch, ratchet will be automatically triggered.

Pulling direction is determined according to the direction of pull-rope safety switch. Direct tripping of contacts, force is exerted on NC-contacts in line with the open position.

KBT

İMAJ TEKNİK ELEKTRİK ELEKTRONİK MALZEMELERİ SAN. VE TİC. LTD. ŞTİ.

Emekyemez Mah. Yüksek Minare Sk. No:8 / 17 80020 Karaköy / İstanbul

☎ +90 212 235 95 35 / 36 📠 +90 212 235 95 37 ✉ info@imajteknik.com

www.imajteknik.com - www.imajteknik.com.tr

