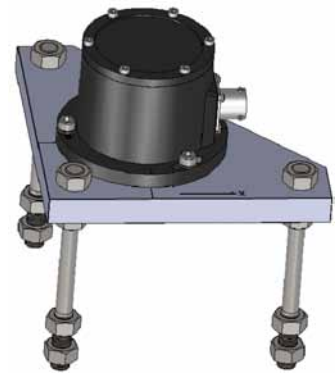


# Fixed Installation Base

## Performances

Fixed installation base is for carrying and fixing the SST300 inclinometer as accessories, and it can be used with the test under dynamic and static conditions. This base can quickly achieve to fix and install inclinometer by three-point adjustment.



Order number	SST003-01-05
Axis direction	Support the dual axis
Material	304 stainless steel
Size	150x150x10mm
Screw	304 stainless steel, length customize
Temperature Range	-40-85°C
Weight	2kg

## Dimensions (mm)

