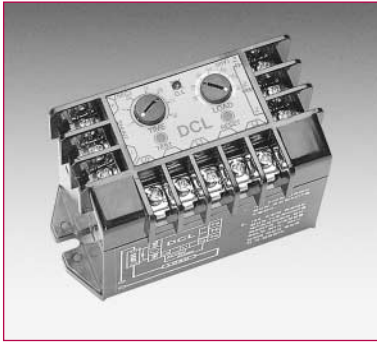


# DCL/DUCR Electronic DC Current



## Features

- DC Overcurrent Relay for DC Motor
- The milli-volt(mV) signals generated from the Shunt and power supply are sensed by solid state circuitry and compared with preset overload setting. In case sensing overload condition, the internal relay switches contact after the preset delay. It has easier control operation. It has DC Overload and DC Underload protection relays.
- It has wide DC current protection range from 1A to hundreds Amps.
- DC Ammeter maybe used instead of Shunt (DC Ammeter has its own shunt inside and keep 50mV maintained.)

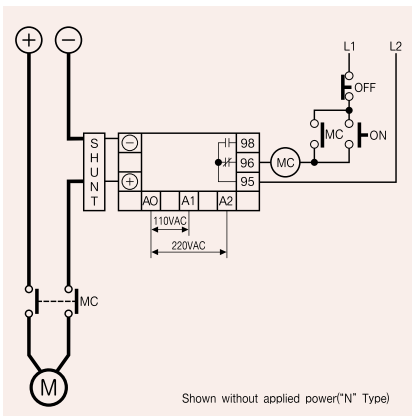
## Protection

Protective Item	Trip Time	
	DCL	DUCR
Over-current	O-TIME	-
Undercurrent (Dry-run)	-	O-TIME

## Specification

Current Setting	Type	Setting Range(DCL)	Setting Range(DUCR)
		DC Over-current Relay	DC Under-current Relay
	70	Secondary Voltage of Shunt (10~70m VCD)	
Trip Time Setting	O-TIME	30sec(Adjustable)	
Reset	M	Manual(Instantaneous) / Electrical(Remote)	
	A	Auto(Instantaneous) Reset(Optional)	
Indication		LED	
Power Supply	Voltage	220	110 / 220VAC
		440	380 / 440VAC
	Frequency	50 / 60Hz	
Contact Rating	N	Normally Energized	
	R	Normally De-energized	
Mounting		Panel	

## Typical Wiring



# DOCR-S/H Electronic DC Current



## Features

- MCU (Microprocessor Control Unit) Based
- DC Motor / DC Device Protection
- Sensing by Shunt (DOCR-S) / by Hall Sensor (DOCR-H)
- Actual primary current is displayed after Shunt / Hall Sensor setting. (Indication)
- Digital Setting / Tripped Current digital DATA displayed. (Indication)
- Auto Reset / Reset Time Setting
- Confirm Setting Current / Test Function
- No Volt Release function (Fail-safe Operation) Setting (→ NVR Setting)

## Protection

Protective Item	Trip Time
Over-current	O-TIME(Definite)

※ In case the line voltage is same voltage with control voltage of DOCR-S type, Contact our representative or our head office.

## Specification

Current Setting	Setting Range (DOCR/DUCR-S)	Setting Range (DOCR/DUCR-H)	
O-TIME	0.1 ~ 240A	5 ~ 360A	
Reset Time	0.5 ~ 25sec	0.5 ~ 25sec	
Rated Shunt	1A, 2A, 5A, 10A, 20A, 50A, 110A, 200A		
Rated Hall Sensor	-	50A, 100A, 200A, 300A	
Power Supply	Voltage	24	24VAC/DC
		220	85 - 250VAC/DC
	Frequency	50/60Hz	
Reset		Manual / Electrical / Auto Reset	
Contact Rating	Mode	1-SPDT(1C)	
	Rating	3A/ 250VAC Resistive	
Indication		7Segment LED	
Mounting		Panel	

## Typical Wiring

