

# ELECTRODE TYPE LEVEL SWITCH Model **KF-600**



**Best selling line in liquid level control - sales record  
and reliable cost performance.**

# KF-600 ELECTRODE TYPE LEVEL SWITCH

Liquid Control made of varied electrode materials in a sturdy housing can be applied to a variety of liquids.

\*Special specifications can be ordered.



### Principle of Operation

Assembled with an amplifier on the market, it can detect level from the minute electric current possibly flowing between electrodes in the conductive liquids.

### KF-650

Materials of housin / flange are selectable. As for KF-650 Electrode Type Level Switch, the electrode-rod diameter and components can be selected.

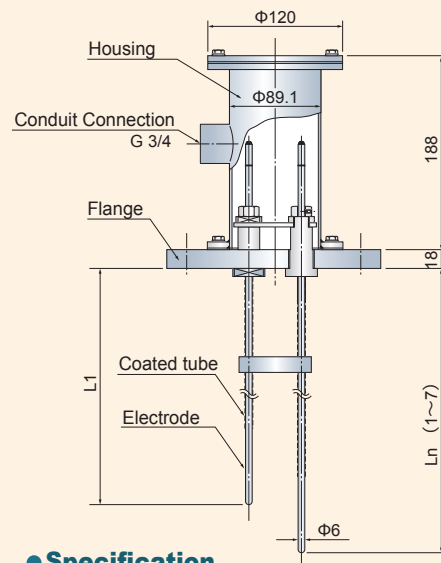
- \*Types of High Temperature and High Pressure (KFB640) are also available.
- \* HT.PVC Flange can be available as well.

### KF-660N · 677 · 688

Only available is a housing type made of PVC. The pole bolt materials of Electrode Level Switch under KF-660N/ 677/ 688 can be selected. The choice of the electrode is  $\Phi 6$  in diameter only.

- \*ASME & JPI can also be manufactured.

### KF-650



### Specification

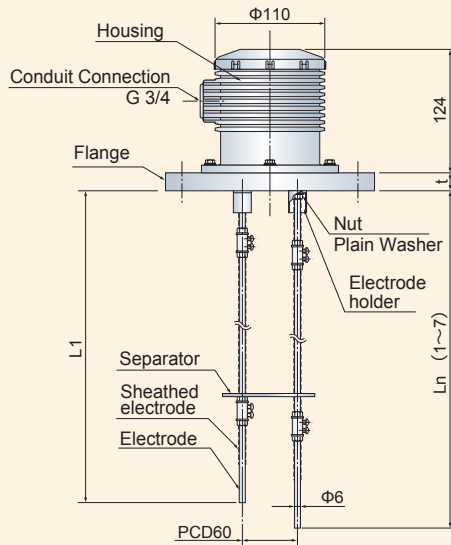
- Diameter of Electrode :  $\Phi 6 / 8 / 10 / 15 / 20\text{mm}$
- Quantity of Electrode (n) : 1 - 7
- Separator : Standard, 1 each by every 2000mm
- Flange : over 100A, JIS10K
- Electrode Material : 304SS, 316SS, 316LSS, Titanium, Hastelloy C & B
- Flange Material : PVC, 400SS, 304SS, others
- Housing Material : PVC, SGP, 304SS, others
- Painted color : Housing /munsell 5Y 7/1 (SGP only), Flange / munsell 5Y 7/1 (400SS only)
- Mat. of sheathed Electrode : PVC tube, Teflon tube
- Mat. of stilling well : PVC, SGP, 304SS

\*Possibly variable by  $\pm 50\text{mm}$  \* Electrode rod is basically an unspliced bar.  
 \*Coupling arrangement is possible (in case of longer rod).  
 \*Withstand pressure type can be available.  
 \*Option : Housing, Flange / hot-dip galvanizing.

KF-650, Size of Flange / Electrode \*Square flange and ASME/JPI flange can be available.

Diameter of Electrode	$\Phi 6 / \Phi 8$	$\Phi 10 / \Phi 12$	$\Phi 15 / \Phi 20$			
Quantity of Electrode	1 - 7	1 - 3	4 - 7	1	2 - 4	5 - 7
Smallest flange = 10K JIS	100A		125A	100A	125A	200A

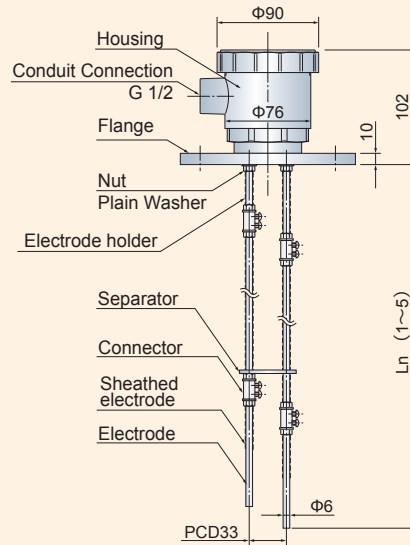
## KF-660N



### ● Specification

- Diameter of Electrode** : Φ6mm only
- Length of Electrode** : Connected at every 1000mm for extension
- Quantity of Electrode (n)** : 1 – 9
- Separator** : Standard, 1 each by every 2000mm
- Flange** : over 100A, JIS10K
- Flange Material** : PVC, HT.PVC
- Housing Material** : PVC

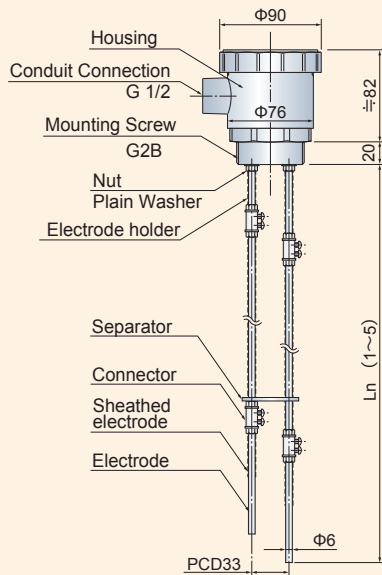
## KF-677



### ● Specification

- Diameter of Electrode** : Φ6mm only
- Length of Electrode** : Connected at every 1000mm for extension
- Quantity of Electrode (n)** : 1 – 5
- Separator** : Standard, 1 each by every 1000mm
- Flange** : over 50A – 80A, JIS10K
- Flange Material** : PVC
- Housing Material** : PVC

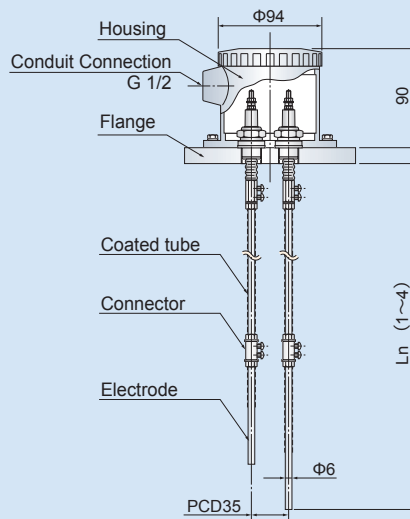
## KF-688



### ● Specification

- Diameter of Electrode** : Φ6mm only
- Length of Electrode** : Connected at every 1000mm for extension
- Quantity of Electrode (n)** : 1 – 5
- Separator** : Standard, 1 each by every 1000mm
- Mounting Screw** : G2B
- Mounting Screw Material** : PVC
- Housing Material** : PVC

## KFB 640 Special/High Temp. High Pressure, others



### ● Specification

- Diameter of Electrode** : Φ6mm only
  - Length of Electrode** : Connected at every 1000mm for extension
  - Quantity of Electrode (n)** : 1 – 4
  - Separator** : Standard, 1 each by every 1000mm
  - Flange** : 50A, JIS10K
  - Electrode Material** : 304SS, 316SS, Titanium, Hastelloy C
  - Flange Material** : 400SS, 304SS, 316SS
  - Housing Material** : AC
- \*When the electrode exceeds 5, use the housing for KF-650 or the like.

### ■ Material Table (KF-660N / -677 / -688) \*Electrode consisting of hastelloy C & B is an unspliced bar.

<b>Material of electrode rod</b>	▶ 304SS	316SS	316LSS	Titanium	Hastelloy C	HastelloyB
<b>Mat. of sheathed electrode</b>	▶ PVC	Teflon-tube	others	[		]
<b>Material of separator</b>	▶ PVC	Teflon	others	[		]
<b>Material of stilling well</b>	▶ PVC	others	[			]

## Type Designation

KF-6□□-□

Quantity of Electrode = 1, 2, 3, 4, 5, 6, 7

Specification = 50

Terminal box fixing = Bolt on flange.  
 Flange dimensionstable = The size is available from the smallest one shown on the table.  
 Material = Selective  
 Diameter of Electrode = Φ6/ 8/ 10/ 15/ 20  
 Quantity of Electrode = up to 7 rods

= 60N

Terminal box fixing = Integrated flange  
 Flange dimensionstable = Available from the minimum size of 100A, JIS10K.  
 Material = Only available is the standard housing/flange made of PVC.  
 Material of other parts is selective.  
 \*Option : Ones made of HT & PVC can be available.

Diameter of Electrode = Φ6 only  
 Quantity of Electrode = up to 9 rods

= 77

Terminal box fixing = Integrated flange  
 Flange dimensionstable = 50A – 80A, JIS10K  
 Material = Only available is the standard housing/flange made of PVC  
 Material of other parts is selective.

Diameter of Electrode = Φ6 only  
 Quantity of Electrode = up to 5 rods, 6-rod type is KF-670-6.

= 88

Terminal box fixing = Solid Type, Mounting by screw.  
 Mounting Dimensions = G2B Screw only  
 Material = Only available is the standard housing/flange made of PVC  
 Material of other parts is selective.

Diameter of Electrode = Φ6 only  
 Quantity of Electrode = up to 5 rods, 6-rod type is KF-680-6.

### Special Specification / High temp, High pressure, others

KFB640-□

Quantity of Electrode = 1, 2, 3, 4

Specification = Terminal box fixing = Bolt on flange

Flange dimensionstable = 50A, JIS10K

Material = Terminal box is made of AC and flange 304SS (standard)

Diameter of Electrode = Φ6 only

Quantity of Electrode = up to 4 rods, 5-rods Consult with Sales staff when you need more than.

## Number / Length of Electrode

TAG.No	NBR	n = POLE	Shor test ←————→ Longest						
			L 1	L 2	L 3	L 4	L 5	L 6	L 7

### Line of business

- Rotary Paddle Type Level Switch
- Vibration Type Level Switch
- Swing Type Level Switch
- Acoustic Level Switch
- Capacitance Type Level Switch
- Capacitive Proximity Sensor
- Capacitance Type Level Indicator
- Diaphragm Type Level Switch
- Tiit Switch
- Leak Type Level Switch
- Microwave Type Switch
- Sounding Bob Type Level Indicator
- Flow Switch
- Conductance Type Level Switch
- Float Switch
- Float Type Level Indicator
- Ultrasonic Type Level Indicator
- Equipments For Conveyor Lines
- Dust Monitor System
- Zirconia Oxygen Analyzer
- Laser Type Level Indicator
- RADAR Type Level Indicator
- On-line Sensors for Accurate Liquid Analysis
- Ultrasonic Flow meter

\*Please be sure to read USER'S GUIDE, Installation & Operation Instructions before using the instrument.

\*The specifications herein may be subject to change without advance notice.

Nuclear Power Generation to Rice Milling  
 All-round Manufacturer of Level Controllers for Powder, Granules and Liquid

**KANSAI Automation Co., Ltd.**

Headquarters :

2-14, Togano-cho, Kita-ku, Osaka 530-0056, Japan

TEL. 81-6-6312-2071 FAX. 81-6-6314-0848

e-mail: info@kansai-automation.co.jp

<http://www.kansai-automation.co.jp>



Tokyo Branch : 1-29-6, Hamamatsu-cho, Minato-ku, Tokyo 105-0013, Japan  
 TEL. 81-3-5777-6931 FAX. 81-3-5777-6933

Nagoya Office : 3-31-27, Uchiyama, Chigusa-ku, Nagoya 464-0075, Japan  
 TEL. 81-52-741-2432 FAX. 81-52-741-1588

Kyushu Office : 1-2-39, Asano, Kokura Kita-ku, Kitakyushu 802-0001, Japan  
 TEL. 81-93-511-4741 FAX. 81-93-511-4580

Agent