

DC-J SERIES CE

Various functions in din size 48

Excellent Visibility(white & yellow LCD)

It can be changed to easy mode or multi mode. It can show the setting condition.

12 digits total counter is built-in. (It can show producing numbers per day, month or year)

Corresponding to each output function(Standard, Batch, Prediction, Digit-up.

Corresponding to each input mode(Increment/decrement independence, Phase-difference, Increment, Decrement, Increment/decrement command.

Pre-scale function provides. Read out the unit such as length/flowing directly. Pre-scale function provides.

Corresponding to each input mode.(Increment/decrement independence, Phase-difference, Increment, Decrement, Increment/decrement command)

CE marking

Protective structure IP66.(Only front panel when using rubber bushing)

Protective structure with terminal cover.

Key protecting function provides for preventing mishandling by careless touch.



Specifications

Type	1 preset counter				2 preset counter			
Model No.	DC-JB6-AW	DC-JB6-AY	DC-JB6-DW	DC-JB6-DY	DC-JC6-AW	DC-JC6-AY	DC-JC6-DW	DC-JC6-DY
Power source	100 to 240VAC(50/60Hz)		24VDC (ripple 20 % or less)		100 to 240VAC(50/60Hz)		24VDC (ripple 20 % or less)	
Allowable voltage fluctuation range	± 10 % at 24VDC, 85 to 250VAC							
Power consumption	4VA *1 (at 240VAC)		1W(at 24VDC)		5VA *1 (at 240VAC)		1W(at 24VDC)	
Numbers of digits	6 digit, range: -99999 to 999999(12 digits for total counter)							
Memory function against power failure	EEP-ROM(rewriting numbers: 0.1 million times or more)							
Counting speed	30Hz/5kHz changeover							
Reset	External reset(Min.reset time: 50msec, manual reset, automatic reset)							
re-scale	0.001 to 9.999							
Decimal point	Lower 4 digits							
One-shot time	0.005 to 9.999sec							
Display color(Counting part)	White	Yellow	White	Yellow	White	Yellow	White	Yellow
Input mode	Increment/decrement independence, Phase-difference, Increment, Decrement, Increment/decrement command							
Output operation	One-shot return, Self-holding free, One-shot free, Agree free, Comparing free							
Counter mode	Standard/digit-up				Standard/Batch/Prediction			
Input signal	Contact or open-collector Impedance when ON(short-circuit) : 1k ohm or more Impedance when OFF(short-circuit) : 100k ohm or more Flowing current when short-circuit : approx. 4mA							
Control output	Transistor output(NPN open-collector): 100mA or less, 40V or less Contact output [1c • 1a(only 2 preset type with AC power)] : 250VAC/30VDC 3A resistance load(cos φ= 1)							
Power source for sensor	12VDC, 50mA *2				12VDC, 50mA *2			
Ambient temperature, humidity	-10 to +50 (-25 to +55 when stored), 35 to 85 %RH							
Protective structure	IP66 (IEC Standard, only front panel when using rubber packings)							
Case	Polycarbonate							
Weight	Approx. 120g							
Accessory	Mounting hook, rubber packings, tightening screw for terminal cover(M3 × 8 P tight)							

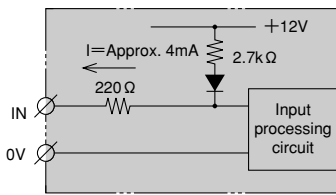
*1. Including external power source

*2. If power source is 120VAC or less, it is possible to supply

100mA outside.

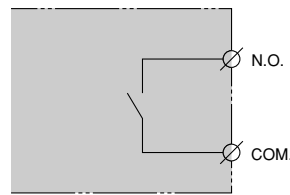
Input/output circuit

Input(Count1/count2/reset)

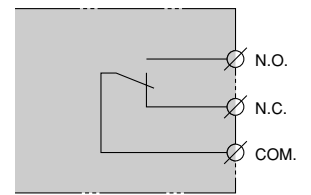


Contact output

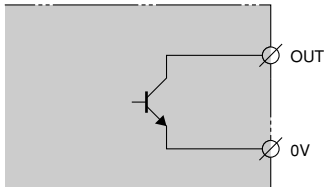
● 1a relay



● 1c relay

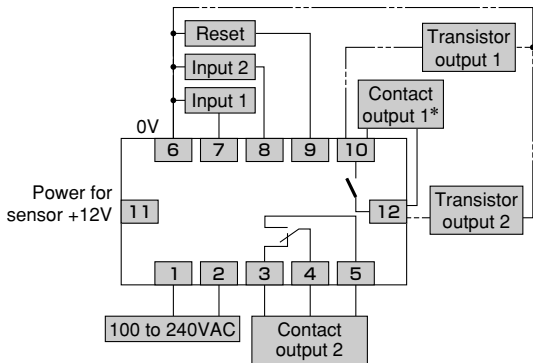


Transistor output



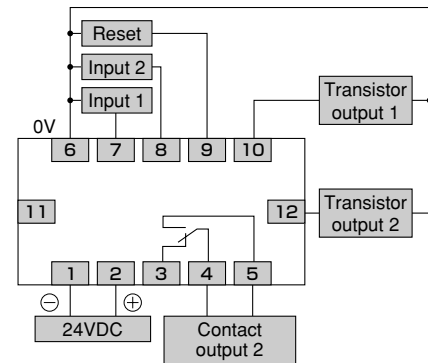
Connection

AC power



* In case of DC-JC
DC-JB is 10: transistor output 1 and 12: transistor output 2(-----).

DC power

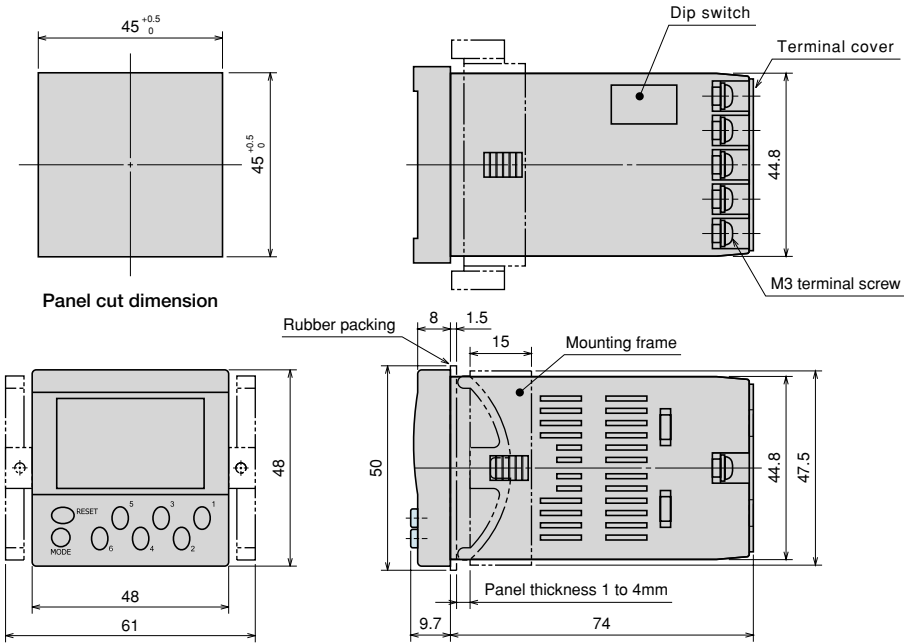


Note) Power source for sensor isn't provided.

(Caution)

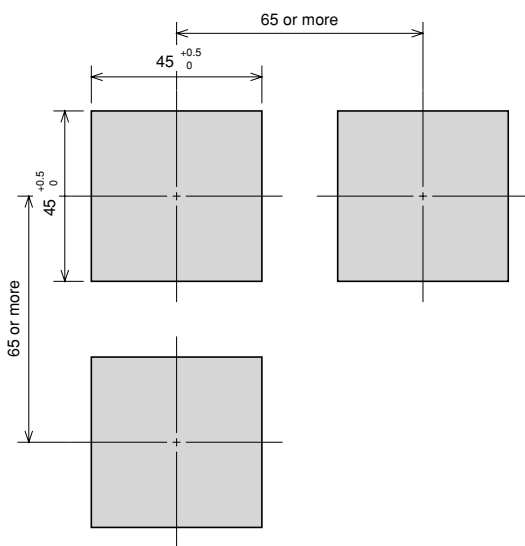
- Don't use empty terminal as relay terminal.
- Each input for counting and reset is common use for contact and transistor. Make a wiring with 2-core shield wire and metal as possible. Also, don't make a wiring with power and high voltage age line etc.
- Use solderless terminal for M3.
- Function of output 1 is different between DC-JB and DC-JC. DC-JB: digit-up output, DC-JC: standard, batch and prediction output (on counter mode). Output 2 is standard output for both DC-JB and DC-JC.

External dimensions



Mounting

Panel cut dimension is as follows:



Mounting frame 60 to 48(GZ00003)

Use mounting frame(60 to 48) if using as substitutes counter with 60□ such as DC-NXB series etc.

