

SC

ENCODER COUPLINGS



Coupling is a device which connects two shafts with for purpose of transmission motion. Coupling compensates geometrical misalignments and axial motion of connected shafts, enables the encoder work within specified accuracy and prevents excessive bearing load.

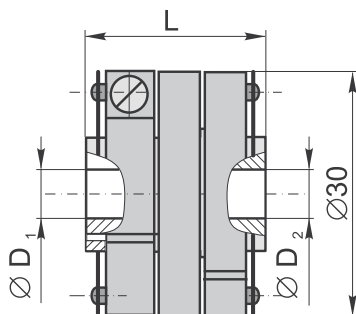
Permissible shaft misalignments must be kept within limits as shown in the table below.

MECHANICAL DATA



Coupling model	SC30	SC70	SC98-1	SC98-2
Kinematic accuracy (with parallel offset ≤ 0.05 mm and angular misalignment $\leq 0.09^\circ$)	± 10 arc sec	± 2 arc sec	± 0.5 arc sec	± 1 arc sec
Torsional rigidity	150 Nm/rad	4000 Nm/rad	6000 Nm/rad	4000 Nm/rad
Permissible torque	0.1 Nm	0.5 Nm	1 Nm	1 Nm
Moment of inertia (approx.)	3×10^{-6} kgm ²	2×10^{-4} kgm ²	2×10^{-4} kgm	1.7×10^{-4} kgm ²
Permissible radial misalignment	≤ 0.2 mm	≤ 0.3 mm	≤ 0.3 mm	≤ 0.3 mm
Permissible angular error	$\leq 1^\circ$	$\leq 0.5^\circ$	$\leq 1^\circ$	$\leq 2^\circ$
Permissible axial misalignment	≤ 0.2 mm	≤ 0.2 mm	≤ 0.2 mm	≤ 0.2 mm
Permissible shaft speed	16000 rpm	3000 rpm	1000 rpm	1000 rpm
Weight	0.027 kg	0.22 kg	0.25 kg	0.21 kg
Encoder compatibility	A28, A36, AM36 AK50, A58M, A58B, A58C, A58C2, A58C3, A58D, AK58M, AK58B, AK58C, AK58C2, AK58C3, AK58D, AM58M, AM58B, AM58C, AM58C2, AM58C3, AM58D.	A110	A170	A170

SC30

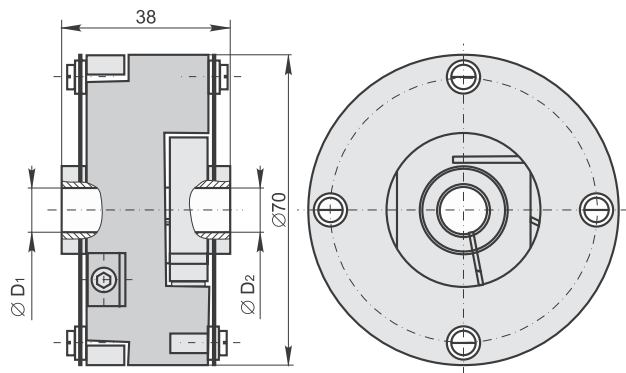


L
22
30

D1	D2
Ø4H7, Ø5H7, Ø6H7, Ø7H7,	
Ø8H7, Ø10H7, Ø1/4",	
Ø5/16", Ø3/8"	



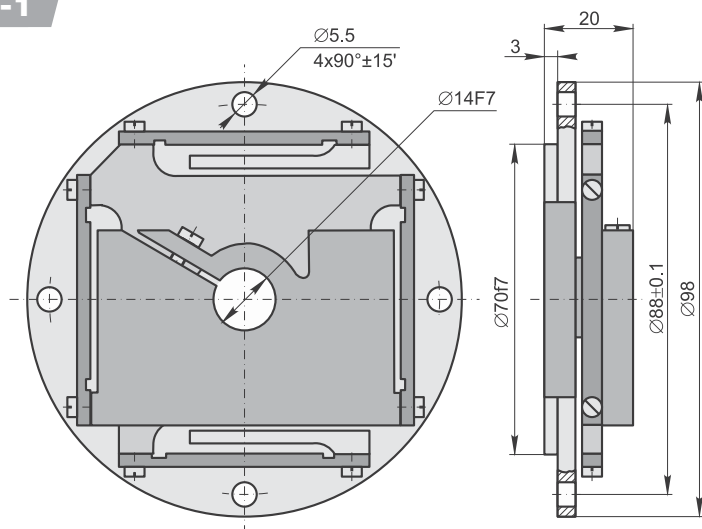
SC70



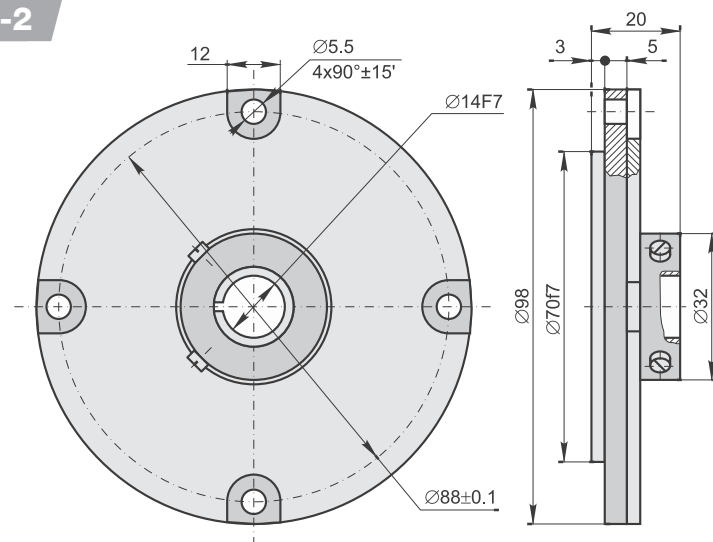
D ₁	D ₂
Ø10F7	
	Ø14F7



SC98-1



SC98-2



ORDER FORM

SC XX - XX / XX - XX

MODEL:	DIAMETER D ₁ :	DIAMETER, D ₂ :	*LENGTH:
SC30 SC70 SC98-1 SC98-2	04 - Ø4mm 05 - Ø5mm ...	04 - Ø4mm 05 - Ø5mm ...	22 - 22mm 30 - 30mm *only for SC30
ORDER EXAMPLES:		1) SC30-05/05-22 2) SC98-2 3) SC70-10/14	