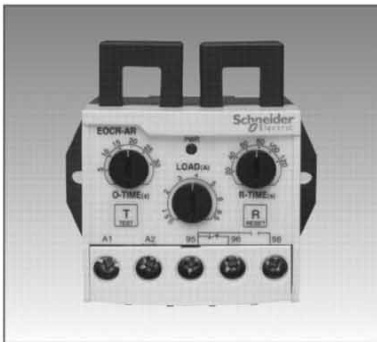


## EOCR-AR



- 2 Integral Current Transformers
- Automatic Reset and Adjustable Reset Timer

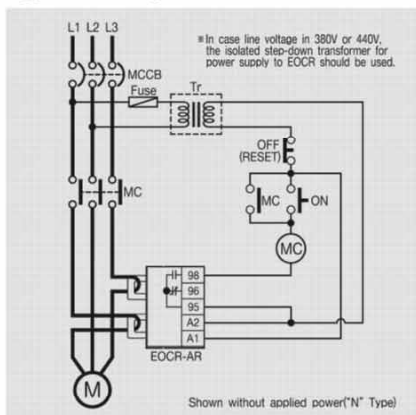
### Protection

Protective Item	Operating (Trip) Time
Over-current	O-TIME
Phase Loss	O-TIME
Locked Rotor	O-TIME

### Specification

Current Setting	Type	Range
	05	0.5 - 6A
	30	3 - 30A
	60	5 - 60A
	100- (over 60A)	Ext. CT Option
Time Setting	Start Trip	D-TIME O-TIME
		0.2 - 30 sec
		0.2 - 120 sec
Control Voltage (50/60Hz)	24	24VAC/DC
	220	90 - 260VAC
	440	320 - 480VAC
Contact Rating	Mode	1-SPDT(1C)
	Rating	3A/250VAC Resistive
	Status	Normally Energized
Time-Current Characteristic		Definite
Operating (Trip) Indication		LED
Mount		35mm Din-rail / Panel

### Typical Wiring



## EOCR-DS



- 3 Integral Current Transformers
- Electronic Shear-pin Function
- Independently Adjustable Starting Trip Delay (D-Time) & Trip Time (O-TIME)
- EOCR-DS + Power Terminal Kit → EOCR-DST

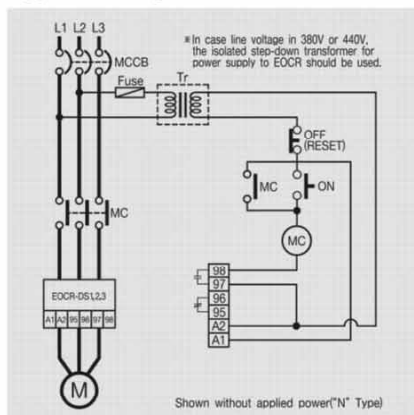
### Protection

Protective Item	Operating (Trip) Time
Over-current	O-TIME
Phase Loss	O-TIME
Locked Rotor	O-TIME + D-TIME

### Specification

Current Setting	Type	Range
	05	0.5 - 6A
	30	3 - 30A
	60	5 - 60A
	100- (over 60A)	Ext. CT Option
Time Setting	Start Trip	D-TIME O-TIME
		0.2 - 30 sec
		0.2 - 10 sec
Control Voltage (50/60Hz)	24	24VAC/DC
	220	90 - 260VAC
	440	320 - 480VAC
Contact Rating	Mode	2-SPST
	Rating	3A/250VAC Resistive
	Status	Normally Energized
Time-Current Characteristic		Definite
Operating (Trip) Indication		2-LED
Mount		35mm Din-rail / Panel

### Typical Wiring



## EOCR-SP



- 2 Integral Current Transformers
- Fit Directly into IEC or NEMA Contactor

### Protection

Protective Item	Operating (Trip) Time
Over-current	O-TIME
Phase Loss	O-TIME
Locked Rotor	O-TIME + D-TIME

### Specification

Current Setting	Type	Range
	01	0.3 - 2A
	10	1 - 12A
	20	5 - 25A
Trip Time Setting	O-TIME	0.5 - 15 sec
Control Voltage (50/60Hz)	24	24VAC/DC
	220	90 - 260VAC
	440	320 - 480VAC
Contact Rating	Mode	1-SPDT(1C)
	Rating	3A/250VAC Resistive
	Status	Normally Energized
Time-Current Characteristic		Definite
Operating (Trip) Indication		2-LED
Mount		Contactor Mounted

### Typical Wiring

