

bi-metal thermometers

DS 3", 5"

(80-125 mm)



These instruments are designed for use in chemical, petrolchemical processing industries. They are built to resist the most severe operating conditions created by the environment and the process medium. A TIG welded case/bulb strengthens the whole construction. The hermetic seal minimize the risk of icing or fogging inside the case.

6.TB9 - Standard Model

Designation: ASME B40.3.

Accuracy class: 1% full-span (grade A).

Ranges: -80...+1000 °F/°C.

Overtemperature limit: 10% of full scale range; max 930 °F.

Ambient temperature: -20...+150 °F (-30...+65 °C).

Max working pressure: 200 psi - 15 bar (without thermowell).

Protection degree: IP 65 as per EN 60529/IEC 529.

Process connection: AISI 303 stainless steel.

Stem: ϕ 1/4" (6,35 mm), AISI 304 st. st.

Sensing element: coiled bi-metal.

Case: stainless steel, hermetically sealed as per ASME B40.3.

Ring: stainless steel, crimped.

Window: heavy duty tempered glass.

Dial: white aluminium, black and red marking.

Pointer: black aluminium.

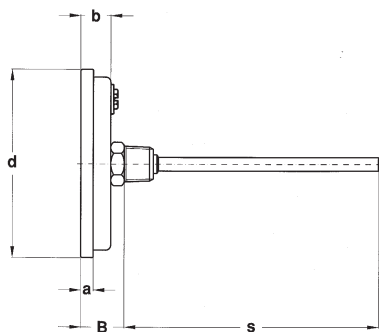
Zero-adjustment: external, at back of case.

Ranges (°F/°C)
-80...+120
-20...+120
+30...+130
0...+200
0...+250
0...+300
+50...+300
+50...+400
+50...+550
+200...+700 ⁽¹⁾
+100...+800 ⁽¹⁾
+200...+1000 ⁽¹⁾

(1) minimum stem length:
6" inches (150 mm)

STEM LENGTH

cod.	7C	7D	7E	7F	7G	7H	7I
inch.	2" 1/2	4"	6"	9"	12"	15"	18"
(mm)	(63,5)	(101,6)	(152,4)	(228,6)	(304,8)	(381)	(457,2)

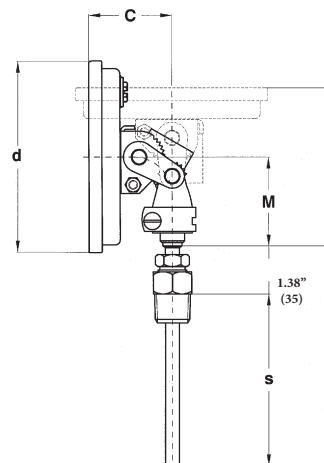


DS 3.5"-4.5" (80-125 mm)

4 - Back connection

DS	a	b	d	B
D 3" (80)	0.32" (8,2)	0.67" (17)	3.13" (79,5)	0.98" (25)
F 5" (125)	0.26" (6,5)	0.65" (16,5)	5.09" (129,2)	0.96" (24,5)

dimensions : inches (mm)

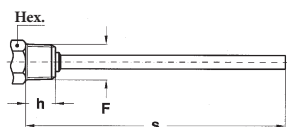


DS 4.5" (125 mm)

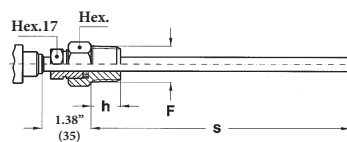
9 - Every-angle connection

DS	d	C	M	N
F 5" (125)	5.09" (129,2)	1.83" (46,5)	2.03" (51,5)	3.54" (90)

dimensions : inches (mm)



3 - Fixed male



9 - Sliding male and swivel nut

DS	F	Hex.	h
D 3" (80)	23M 1/4-18 NPT	0.87" (22)	0.67" (17)
F 5" (125)	43M 1/2-14 NPT	0.87" (22)	0.67" (17)

dimensions : inches (mm)

OPTIONS

DESCRIPTION	
P00 - Glycerine fillable	(1)
P01 - Silicone fillable	(1)
R10 - Glycerine filling, max +320 °F (+160 °C)	(1)
R11 - Silicone filling, max +482 °F (+250 °C)	(1)

(1) Protection degree: IP 67 as per EN 60529/IEC 529.

“HOW TO ORDER” SEQUENCE

Section / Model / Mounting / Connection type / Diameter / Range / Process connection / Bulb type and length / Options

6 **TB9** 4 3 **D** 43M 7C...7I **P00...R11**
9 9 **F** 23M